

ZLS afzuigventilatoren

catalogus

HEG



Central ventilation system ZLS-DV EC according to DIN 18017-3.

Residential ventilation to DIN 18017-3



ZLS-DV EC is the ideal central ventilation system in multi-storey construction according to DIN 18017-3.

- Humid, polluted air is extracted in line with requirements. At the same time, the pressure-controlled controller integrated in the fan guarantees that a set negative pressure is maintained. Thus, the planned air flow volume remains unchanged in all other rooms.
- Energy-saving EC technology with highest efficiency, even for controlled operation, and up to 50 % energy saving in comparison with conventional motors.

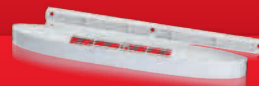
EXTRACT AIR



The roof fan is connected to the central exhaust shaft. The extract air from wet-rooms and kitchens leaves via extract air elements with demand-oriented function. The automatic, stepless power adjustment takes place via the integrated pressure sensor.

66^{on}

OUTSIDE AIR



Draught-free outside air is supplied to the living and bedrooms via automatic elements for window or wall installation.

68

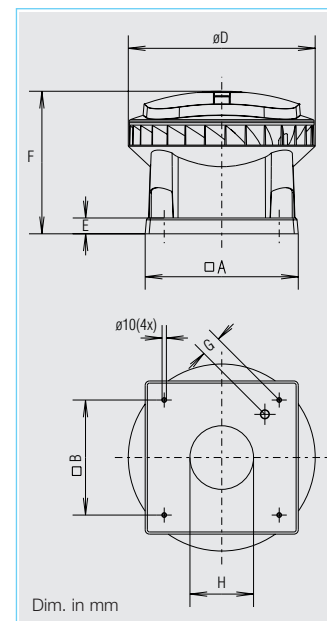
FIRE PROTECTION



The spread of fire to other floors is prevented according to building requirements in the classified and unclassified shaft.

69

DV EC



Dim. in mm

up to **45% Saving***
* with speed control

Extremely weather-resistant, polymer EC roof fan for an extensive area of application, diagonal discharge.

Similarities
DV EC Pro and DV EC Eco

Casing
Aerodynamically designed casing from high-quality polypropylene in grey with diagonal air discharge. Air flow temperatures from -30 to +60 °C.

Impeller
Diagonal impeller made from aluminium, the motor-impeller unit is dynamically balanced for low noise operation.

Motor
Energy-efficient EC external rotor motor protected to IP 54. Optimised level of efficiency for speed control for low operating costs. Steplessly speed controllable. Maintenance-free and interference-free, ball bearing mounted.

Motor protection
Integrated electronic temperature monitoring for EC motor and electronics.

Electrical connection
Standard external terminal box (protection class IP 65) on casing. Connection voltage 1 ph., 230 V, 50 Hz.

Installation
Horizontal installation on the roof. In case of pitched roofs, a suitable base must be provided to prevent water entry. Extensive accessories facilitate the assembly of the fan to the ducting system in the building.

Sound levels
Total sound power levels and the spectrum figures in dB(A) are given for:
- Sound power intake
- Sound power exhaust
You can also find sound pressure levels at 4 m (free field conditions) in the table below and below the performance curve.

Specification DV EC Pro

- Speed control**
 - Ideal as central exhaust air fan for multi-storey building according to DIN 18017-3.
 - In connection with other components (accessories), a complete central ventilation system can be developed according to DIN 18017-3 with demand-driven ventilation.
 - Integrated pressure control for air flow volume stabilisation in the connected rooms by automatic speed adaptation with almost constantly good level of efficiency.
 - Integrated pressure sensor 0-300 Pa.
 - Short pay back time due to high energy conservation.
 - Four potentiometers integrated in the control permit an adjustment to the operating data. The desired operating point can be set directly on site.
 - Integrate serial Bus port (RS 485) for connection of a PC/laptop in combination with the interface (accessories).

Dimensions in mm

Type	DV EC 200	DV EC 250	DV EC 400
□ A	460	580	665
□ B	330	450	535
∅ D	575	708	863
E	60	60	60
F	473	540	601
G	44	48	64
H	196	241	302

Specification DV EC Eco

- Speed control**
 - Stepless speed control with a speed-potentiometer PU/PA 10 (accessories, see table below).
 - In connection with the universal control system EUR EC or electronic pressure/temperature controllers EDR/ETR (accessories, see table below), the fan can be used for stepless differential pressure, differential temperature or flow velocity regulation. For example, the performance levels are shown in the performance curves.

Type	Ref. no.	Maximum R.P.M. approx.	Air flow volume (FID)	Sound pressure case breakout	Power consumption at maximum R.P.M.		Wiring diagram	max. air flow temperature	Weight net approx.	Timer / Universal control system		Speed-potentiometer surface flush			
					kW	A				No.	+ °C	kg	Type	Ref. no.	Type
Type DV EC Pro, 1 ph. motor, 230 V, 50/60 Hz, EC motor, IP 54											Timer				
DV EC 200 Pro	8385	1810	2010	52	0.18	1.38	863.1	60	17.0	ZLS-ZU 31	8388	—	—	—	—
DV EC 250 Pro	8386	1640	3700	60	0.41	1.78	863.1	60	23.0	ZLS-ZU 31	8388	—	—	—	—
DV EC 400 A Pro	8387	1020	4070	51	0.30	1.33	863.1	60	33.0	ZLS-ZU 31	8388	—	—	—	—
DV EC 400 B Pro	8389	1425	5650	65	0.75	3.32	863.1	60	35.0	ZLS-ZU 31	8388	—	—	—	—
Type DV EC Eco, 1 ph. motor, 230 V, 50/60 Hz, EC motor, IP 54											Control system				
DV EC 200 Eco	8320	1810	2010	52	0.18	1.38	991	60	17.0	EUR EC ⁽¹⁾²⁾	1347	PU 10 ³⁾	1734	PA 10 ³⁾	1735
DV EC 250 Eco	8322	1640	3700	60	0.41	1.78	991	60	23.0	EUR EC ⁽¹⁾²⁾	1347	PU 10 ³⁾	1734	PA 10 ³⁾	1735
DV EC 400 A Eco	8324	1020	4070	51	0.30	1.33	991	60	33.0	EUR EC ⁽¹⁾²⁾	1347	PU 10 ³⁾	1734	PA 10 ³⁾	1735
DV EC 400 B Eco	8326	1425	5650	65	0.75	3.32	991	60	35.0	EUR EC ⁽¹⁾²⁾	1347	PU 10 ³⁾	1734	PA 10 ³⁾	1735

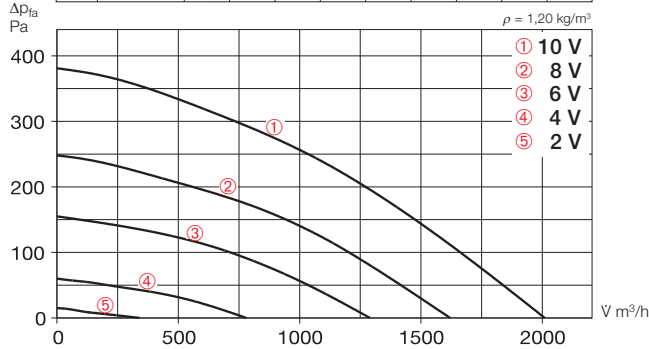
¹⁾ Several EC fans can normally be connected

²⁾ alternative electronic pressure/temp. controller (EDR/ETR, No. 1437/1438) in connection with power supply NG24, No. 1439, see Accessories

³⁾ without LED power supply

DV EC 200

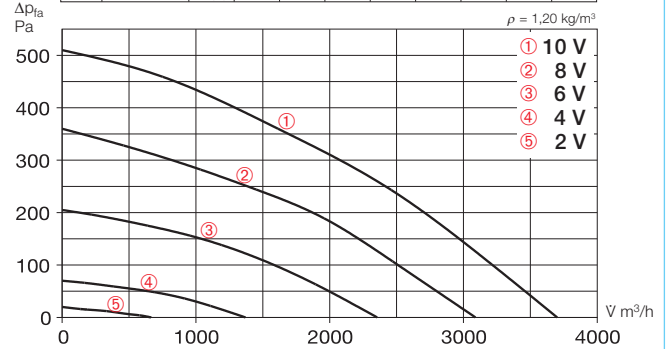
Frequency		Hz	Total	125	250	500	1k	2k	4k	8k
L _{WA}	Intake		70	54	64	64	65	61	55	46
L _{WA}	Exhaust		72	53	57	66	69	66	57	46



Voltage V	n min ⁻¹	\dot{V} m ³ /h	P W	I A	L _p dB(A)	SFP kW/m ³ /s
10	1810	2010	180	1.38	52	—
8	1480	1620	108	0.90	47	—
6	1200	1290	60	0.54	41	—
4	720	780	21	0.20	31	—

DV EC 250

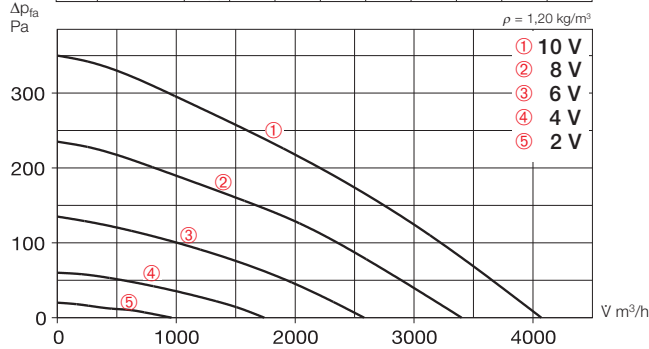
Frequency		Hz	Total	125	250	500	1k	2k	4k	8k
L _{WA}	Intake		75	60	64	70	69	67	61	52
L _{WA}	Exhaust		80	63	65	75	76	72	63	52



Voltage V	n min ⁻¹	\dot{V} m ³ /h	P W	I A	L _p dB(A)	SFP kW/m ³ /s
10	1640	3700	412	1.78	60	—
8	1380	3100	264	1.14	55	—
6	1100	2350	138	0.60	49	—
4	650	1370	40	0.20	36	—

DV EC 400 A

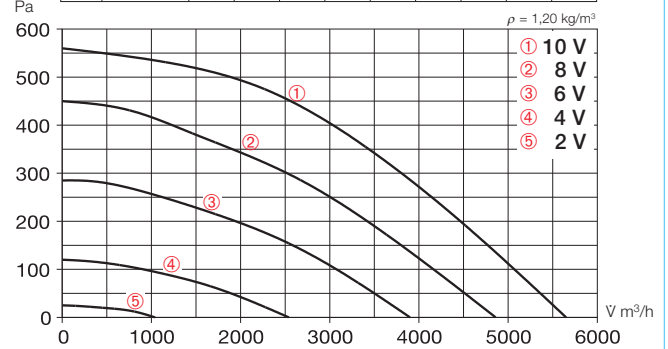
Frequency		Hz	Total	125	250	500	1k	2k	4k	8k
L _{WA}	Intake		68	55	62	63	63	58	51	44
L _{WA}	Exhaust		72	56	61	68	67	60	52	43



Voltage V	n min ⁻¹	\dot{V} m ³ /h	P W	I A	L _p dB(A)	SFP kW/m ³ /s
10	1020	4070	303	1.33	51	—
8	850	3400	176	0.77	46	—
6	650	2580	85	0.40	40	—
4	450	1740	33	0.20	31	—

DV EC 400 B

Frequency		Hz	Total	125	250	500	1k	2k	4k	8k
L _{WA}	Intake		80	64	69	75	74	74	65	58
L _{WA}	Exhaust		85	66	72	82	81	76	66	56



Voltage V	n min ⁻¹	\dot{V} m ³ /h	P W	I A	L _p dB(A)	SFP kW/m ³ /s
10	1425	5650	755	3.32	65	—
8	1225	4860	485	2.10	60	—
6	1000	3900	265	1.15	54	—
4	650	2540	90	0.40	43	—

Extract air



AE
Ready-to-install extract air element with polymer mounting ring.
To be inserted into ducting with diam. 125 mm. With demand-based and standard ventilation stages, electrical, humidity, motion and time controlled for use pursuant to the following table.
Types AE and AE GB with self-regulating air flow volume stabilisation. Humidity controlled types AE Hygro or type AE FV with filter and air flow volume control are preferable for kitchens and bathrooms.
Adapter filter element VFE
For installation in front of AE, if room air is polluted and greasy. See product page for details.

– Fire protection shutters for extract air elements AE



– Cold smoke shutter KAK



– Noise reduction element SVE (also suitable for supply air)



Overflow



Intake air elements

– Installation in wall openings



ZL
Universal supply air unit and thermostatic valve for controlled air intake regulation. See intake air element product pages for detailed descriptions.

– Installation in window frames



ALEF
Intake air element with air flow volume control and limiter. See intake air element product pages for detailed descriptions. Ideally suitable for retrofitting and new construction.

Bathroom		Toilet		Kitchen	
Type	Ref. no.	Type	Ref. no.	Type	Ref. no.
Extract air element with self-regulating air flow volume stabilisation * Air flow volume in m³/h					
AE 45*	2031	AE 30*	2030	AE 75*	2033
As above , but with two air flow volumes (demand-based and standard ventilation)					
AE GB 20/75*	2036	AE GB 15/30*	2035	AE GB 45/120*	2038
As AE GB , with additional electr. timer (without air flow volume stabilisation)					
AE GBE 30/60*	2047	AE GBE 15/30*	2044	AE GBE 45/120*	2048
As AE GBE , but with motion sensor					
		AE B 15/30*	2055		
Humidity controlled extract air unit with variable, limited air flow volume					
AE Hygro 10/45*	2049				
As AE Hygro , with additional electrically controlled demand-based ventilation stage					
AE Hygro GBE 5/40/75*	2053			AE Hygro GBE 10/45/120*	2054
Extract air element AE FV , with filter and air volume control					
AE FV 125	9478			AE FV 125	9478
Adapter filter element VFE					
– to AE / AE GBE, AE Hygro, prevents contamination of the air extract element and ducting system					
				VFE 70/VFE 90	2552/2553

Fire and smoke shutter.

Suitable for insertion into spiral ducting without additional mounting frame or wall installation with mounting sleeve EH (accessories).

Cold smoke shutter with magnetic closure. Prevents backflow of cold smoke into other fire areas in central ventilation system.

* ND 125, suitable for AE above. See product pages for other ND and detailed descriptions.

Type	Ref. no.
Fire protection shutter K 90-18017	
BAE 125*	2626
Fire protection shutter K 90-4102	
BAK 125*	2621
Mounting sleeve (accessories for both types)	
EH 125*	2640
Cold smoke shutter	
KAK 125*	4098

Noise reduction elements for simple noise-absorption and air volume regulation in central ventilation systems through duct insertion. Also suitable for pressure regulation.

Door grilles

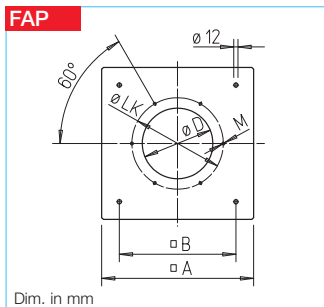
Discreet, screened ventilation grille made from impact-resistant polymer for door installation.

Type SVE 100	Ref. no. 8310
ND 100 mm	
Type SVE 125*	Ref. no. 8311
ND 125 mm	
Type LTGW	Ref. no. 0246
Made from white polymer.	
Type LTGB	Ref. no. 0247
Made from brown polymer	

	Ø 80		Ø 100		Ø 160	
Type	Ref. no.	Type	Ref. no.	Type	Ref. no.	
Supply air unit – Automatic temperature control incl. thermostatic valve, acoustic lining and external grille						
	ZLA 80	0214	ZLA 100	0215	ZLA 160	0216
Supply air element – Manual control in four stages incl. valve plate with pull cord, sound insulation and external grille						
			ZLE 100	0079		
Thermostatic valve – For installation in existing ventilation openings						
	ZTV 80	0078	ZTV 100	0073	ZTV 160	0074

V				
m³/h	Type	Ref. no.	Type	Ref. no.
Intake air inlet element for installation in window frames – with air volume control and limiter				
30	ALEF 30	2100	ALEFS 30	2102
45	ALEF 45	2101	ALEFS 45	2103
Intake air inlet element for installation in window frames – humidity control, with air volume control and limiter				
6/45	ALEF Hygro 6/45	2056	ALEFS Hygro 6/45	2057

Flange connecting plate



Flange connecting plate FAP
Made from galvanised sheet steel. Allows the connection of the duct system and accessories to the roof fans DV EC, if no base attenuator SSD is used.

Type	FAP 200	FAP 250	FAP 400
Ref. no.	8382	8383	8384
□ A mm	430	550	635
□ B mm	330	450	535
Ø D mm	200	250	400
Ø LK mm	259	286	438
M	M 6	M 6	M 8
Weight kg	1.8	3.0	3.3

Flange, flanged flexible connector



Suitable for roof fan:					
DV EC 200		DV EC 250		DV EC 400	
Type	Ref. no.	Type	Ref. no.	Type	Ref. no.
Flange connecting plate – necessary for duct connection					
FAP 200	8382	FAP 250	8383	FAP 400	8384
Counterflange					
DFR 200	1201	FR 250	1203	FR 400	1206
Flanged flexible connector					
DSTS 200	1218	STS 250	1220	STS 400	1223

See product pages for detailed descriptions.

Flat roof base



Suitable for roof fan:					
DV EC 200		DV EC 250		DV EC 400	
Type	Ref. no.	Type	Ref. no.	Type	Ref. no.
Flat roof base – with hinge mechanism for easy maintenance					
FDS 200	1378	FDS 250	1379	FDS 400	1380
Base attenuator – with hinge mechanism for easy maintenance					
SSD 200	5290	SSD 250	5292	SSD 400	5291

See product pages for detailed descriptions.

Base attenuator

Fire protection



Fire damper ELS-D prevents spread of fire to other floors.
Installation in ventilation main duct to DIN 18017 K90. Maintenance free. Approved for use in ventilation shafts or mixed service shafts (even with flammable ducts) only needs to be covered with 12.5 mm plaster-

board cover. All other parts (valves etc.) do not need fire protection classification. Flexible aluminium ducting can be used for the connections. Shutters KAK are to be provided to avoid backflow of cold smoke (see left page).

ND mm main duct	100	125	140	160	180	200
Type	ELS-D 100	125	140	160	180	200
Ref. no.	0270	0185	0186	0187	0188	0271

Control



Interface
Interface for the start-up and/or control of the fan in connection with a PC/Laptop. Power supply unit, adaptor cable and software included.
Type ZLS-IF Ref. no. 8391

Electronic timer module with day/night regulator
Allows parallel operation of max. 31 DV EC roof fans. The rocker main switch activates the timer module. The day and night regulation is carried out via the settings on the display.
Incl. main switch. 230 V, 50 Hz.
Type ZLS-ZU 31 Ref. no. 8388

Accessory details	Page
Roof installation accessories	485
Ventilation grilles	487 on
Extract air elements	500 on
Intake air elements	512 on
Fire protection systems	
– Fire damper	516 on
Universal control systems, electronic controllers, speed-potentiometer	539 on



Universal control system
For stepless control or regulation of single or three phase EC fans with a setpoint of 0-10 V DC:
Type EUR EC Ref. no. 1347

Speed-potentiometer
For direct control/setpoint setting of EC fans with potentiometer inputs.
Type PU 10 (up) Ref. no. 1734



Type PA 10 (ap) Ref. no. 1735