

Swegon Home Solutions

CASA[®] R5-H Comfort



VENTILATION UNIT WITH ROTARY HEAT EXCHANGER

Designed for detached houses, apartment blocks and holiday cottages up to 250 m³ as well as small shops, offices, etc. The maximum air flow of the unit is 120 l/s with a temperature efficiency for the heat exchanger of up to 86%. Suitable for new builds and renovation projects and is available for both horizontal and vertical installation.

www.swegonhomesolutions.com

Swegon[®]
Home Solutions

T 0320 - 28 61 81 | www.aerhaan-klimaatechniek.nl

Als het om lucht gaat.


AUERHAAN
KLIMAATTECHNIEK



User-friendly functions

Swegon CASA Comfort is simple and easy-to-use. The technology ensures energy-efficient ventilation and that the indoor air is always healthy for both the building and its residents.

COMFORT CONTROL PANEL

The easy-to-use control panel facilitates

1a



BOOST

High air flow. Used when the ventilation requirement increases, e.g. for cooking, taking a sauna, showering and drying laundry.



ACTIVE

Increased air flow. Can be used when more people than usual are in the building or to cool on hot days.



HOME

Normal air flow. Guarantees that there is sufficient fresh indoor air in the building, and that the construction is at its best.



AWAY

Low air flow. Minimizes energy use when there is decreased need for ventilation inside the apartment.



TRAVELING

Very low air flow. Used when the apartment is empty for a long period of time.



FIREPLACE SWITCH FUNCTION (Option)

An intelligent function that produces the correct amount of replacement air, specifically for your fireplace. Facilitates lighting the fire and ensures clean combustion.



COOKER HOOD FUNCTION (Option)

Balances the ventilation when a cooker hood is used. Prevents excessive negative pressure and improves fume extraction capability of the cooker hood.

defined times. A number of functions and operating modes are optional. CASA Smart has additional functions.





- › Airflow range 40-120 l/s
- › Ecodesign energy class A
- › Heat exchanger temperature efficiency: up to 86% (EN308)
- › Cooling and heat recovery
- › Energy efficient fans with a low noise level
- › Quick installation and adjustment
- › Minimal installation dimensions. Can be taken in through the roof hatch
- › Electric or water coils for reheating and cooling as an option
- › Control system CASA Comfort
- › Control via separate control panel

Swegon CASA R5-H Comfort

HEAT RECOVERY

The rotary heat exchanger in CASA R5-H is manufactured with aluminium fins and provides a high degree of efficiency, up to 86%. The fins on the heat exchanger form a large number of ducts where thermal energy from the indoor air is utilised to heat the cold outside air taken into the building. There is only a very small risk that odours and moisture will be returned to the indoor air despite the same surfaces being in contact with both the extract air and the supply air.

COMFORT COILS

Usually the recovered thermal energy from the extract air is sufficient to heat the supply air. In cold conditions, reheating coils can be used to maintain a comfortable indoor climate. Both electrical and waterborne reheating coils are available as accessories, integrated into the unit (electrical) or duct installed (electrical/water). Waterborne coils can also be used for comfort cooling.

UNITS FOR HEATING AND COOLING

The unit can be equipped with separate units for heating and cooling for increased comfort or at very low outdoor temperatures. The waterborne units connect directly to the main heating system in the residence and are controlled directly from the Comfort panel.

FANS

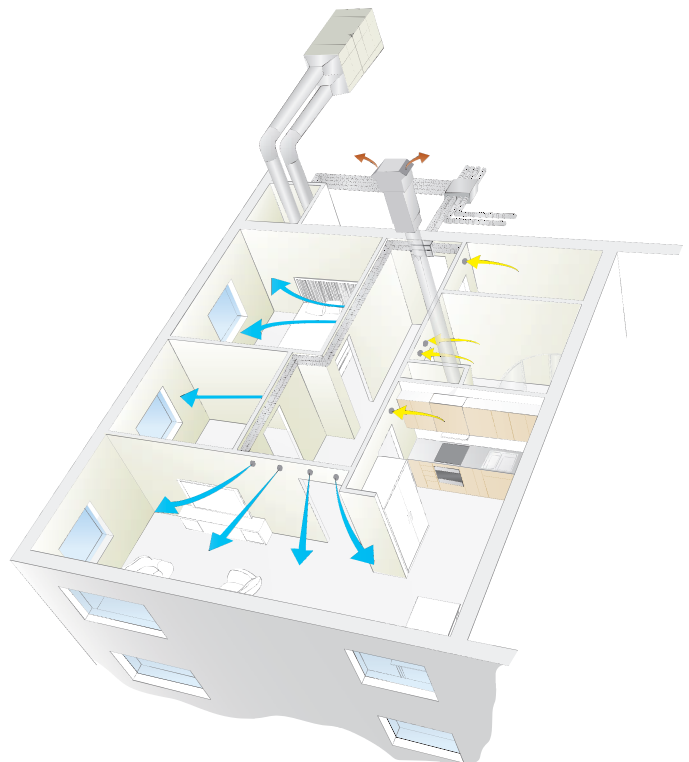
CASA R5-H uses energy efficient, EC type fan motors whose power consumption is substantially lower than that of traditional fan motors. The advantage of the EC fans is that their speed is variably controllable and where efficiency is high even when operated at lower speeds. The power and control cables on the fans are fitted with quick connectors to facilitate service work.

SUMMER OPERATION

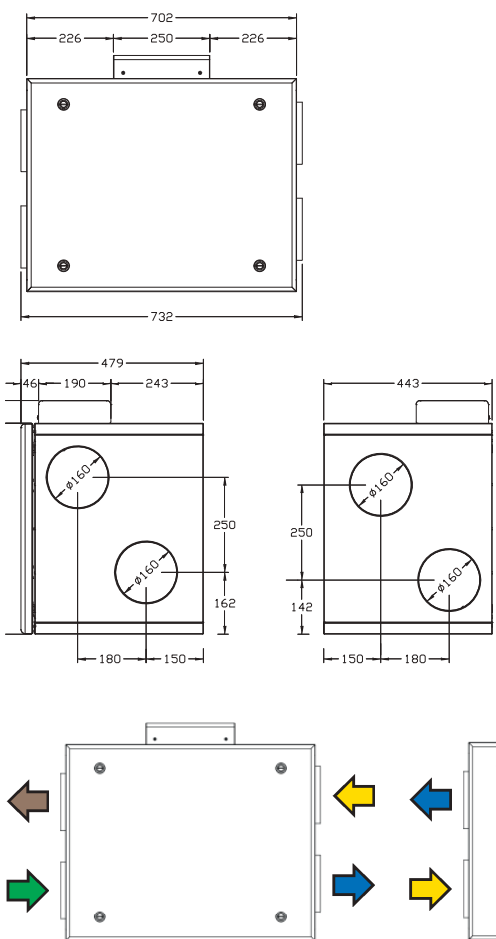
CASA R5-H's intelligent summer mode helps to maintain the building's indoor air comfort even during hot summer days. Very economical comfort coolness can be produced almost free of charge by utilising the difference in indoor and outdoor temperatures and the heat exchanger intelligently. Indoor air during hot summer days and cools the incoming outdoor air. This is managed by an advanced automatic system that can be set as required.

INSTALLATION

CASA R5-H is ideally installed on a firm foundation in a separate space in the attic, storage area, laundry room, service entrance or the like.

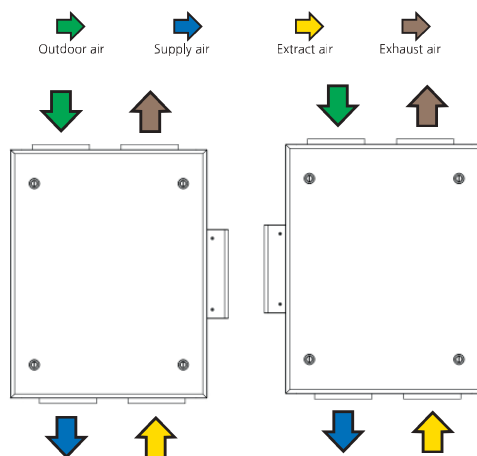


DIMENSIONS

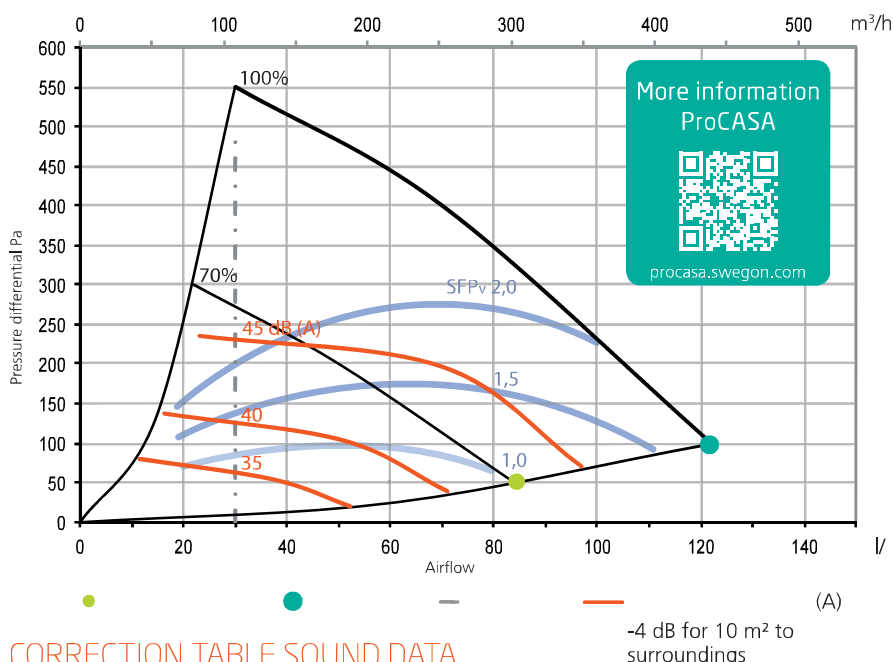


TECHNICAL DATA

	CASA R5-H	CASA R5-H EL
Connection	230 V, 50 Hz.	230 V, 50 Hz.
Fans	234 W	234 W
Electric reheater	300/600/900 W Duct placement	700 W Installed inside the unit.
Water-based heating coil	Duct mounted available	Duct mounted available
Water-based cooling coil	Duct mounted available	Duct mounted available
Total output	259 W	959 W
Fuse protection	10 A	10 A
Weight	55 kg	55 kg
Ducts	Ø160 mm	Ø160 mm
Condensate connection	—	—



AIR VOLUMES (EN 13141-7)



CORRECTION TABLE SOUND DATA

Sound to surroundings	Sound power level L _w (dB), table K _{ok}							
	63 Hz	125 Hz	250 Hz	500 Hz	1000 Hz	2000 Hz	4000 Hz	8000 Hz
	4	5	6	-2	-12	-20	-29	-35

More detailed sound data for surroundings and ducts according to set values is available in ProCASA.

Swegon CASA D_R05HL07C00

A+

A

B

C

D

E

F

G

42 dB

439 m³/h

ENERGIA - ЕНЕРГИЈА - ЕНЕРГІЯ - ENERGIJA - ENERGI - ENERGI - ENERGI
2016 1254/2014

(SEC) in kWh
-34,1 / -76,3 / -9,9

Energy class can vary depending on equipment level of the unit.