



## DDAC series

Technical data  
Information technique  
Technische gegevens

For the latest technical data, please use the DDDSDP selection program.  
Pour des données actualisées, veuillez utiliser le programme de sélection DDDSDP.  
Voor de laatste technische gegevens, zie het DDDSDP selectie programma.



Total Airflow Control Technology

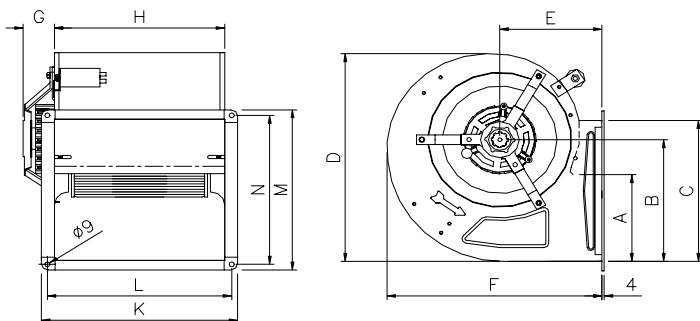
## FAN TECHNICAL DATA

ID CODE	<b>710065</b>
FAN NAME	<b>DD 6-6-14 1/16 BB</b>
SUPPLY	230 V - 50 Hz
MOTOR	1/16 4PO BB (C0014.00)
CAPACITOR	4 $\mu$ F
THERMAL PROTECTION	Incorporated
IP CLASS	44
THERMAL CLASS	B
CONFORMITY	CE
SPEED CONTROL	ES3

## NOMINAL INSTALLATION DATA

	Pressure (Pa)	Amps (A)	Abs.Power (W)	Max air T°(TM) (°C)
Minimum	50	0,88	200	45
Maximum	250	0,52	114	60

## DIMENSIONS

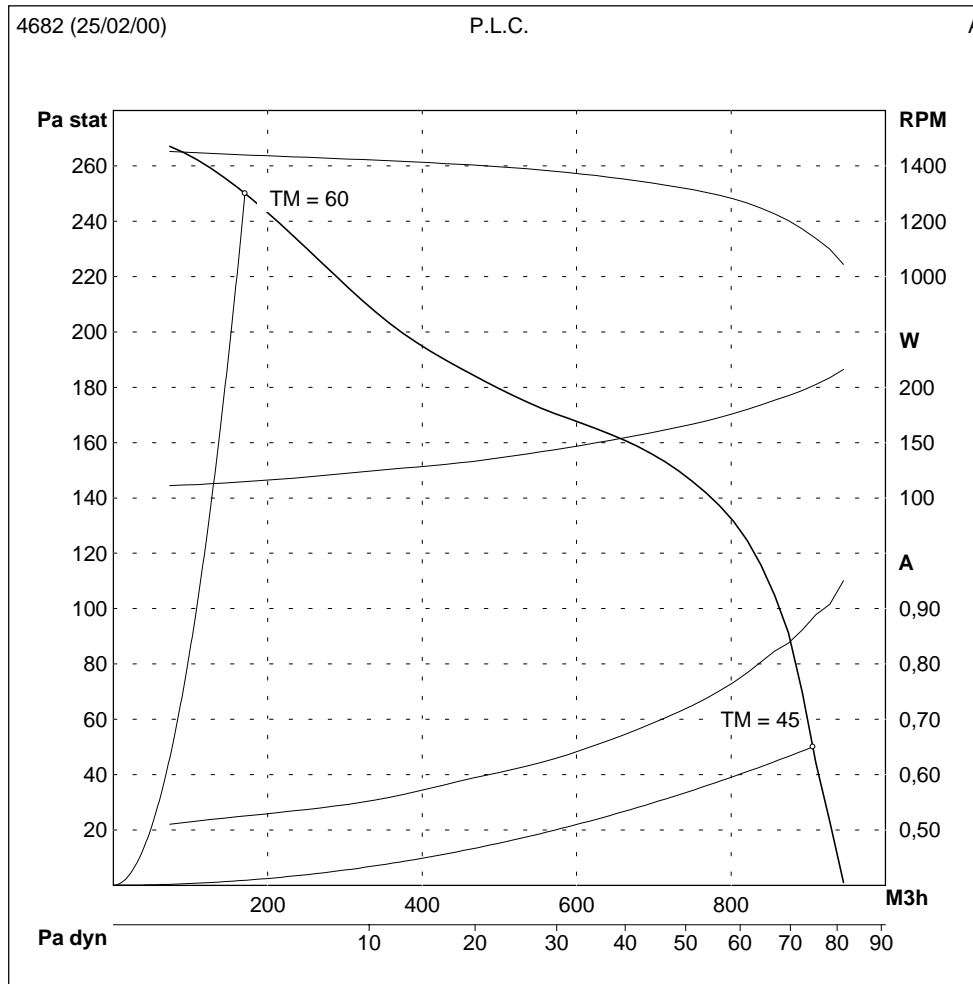


A	B	C	D	E	F	G	H	K	L	M	N
106	164	210	291	125	270	22	213	259	238	246	225

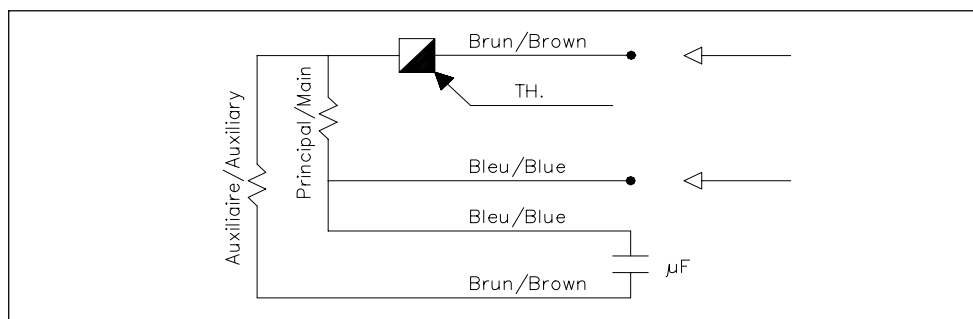
We are constantly working to make our products better and more reliable. Therefore we cannot guarantee data update.  
Therefore, although we put a lot of care in the making of our documentation, we cannot be held responsible for any error and/or omissions that could have slipped in.

## PERFORMANCE CURVES

measured in our laboratory according to AMCA/ASHRAE 210.85 fig.12



## WIRING DIAGRAM



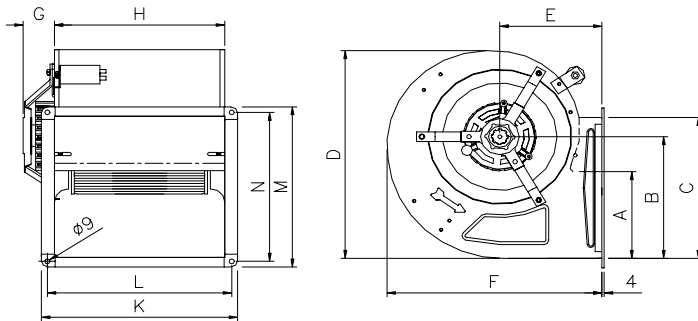
### FAN TECHNICAL DATA

ID CODE	<b>710069</b>
FAN NAME	<b>DD 7-7-14 1/8 BB</b>
SUPPLY	230 V - 50 Hz
MOTOR	1/8 4PO BB (C0009.31)
CAPACITOR	5 $\mu$ F
THERMAL PROTECTION	Incorporated
IP CLASS	44
THERMAL CLASS	B
CONFORMITY	CE
SPEED CONTROL	ES3

### NOMINAL INSTALLATION DATA

	Pressure (Pa)	Amps (A)	Abs.Power (W)	Max air T°(TM) (°C)
Minimum	80	1,3	300	50
Maximum	255	0,91	170	50

### DIMENSIONS

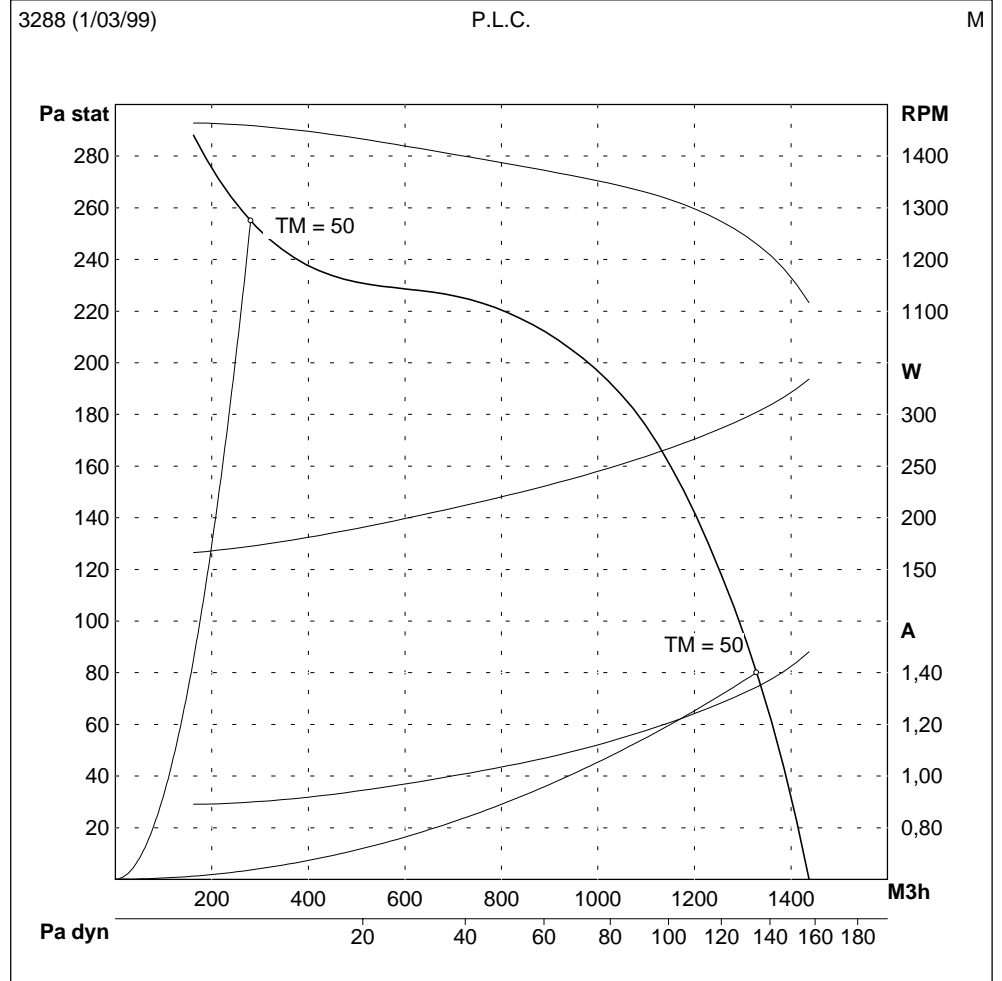


A	B	C	D	E	F	G	H	K	L	M	N
106	164	210	291	125	270	56	233	279	258	246	225

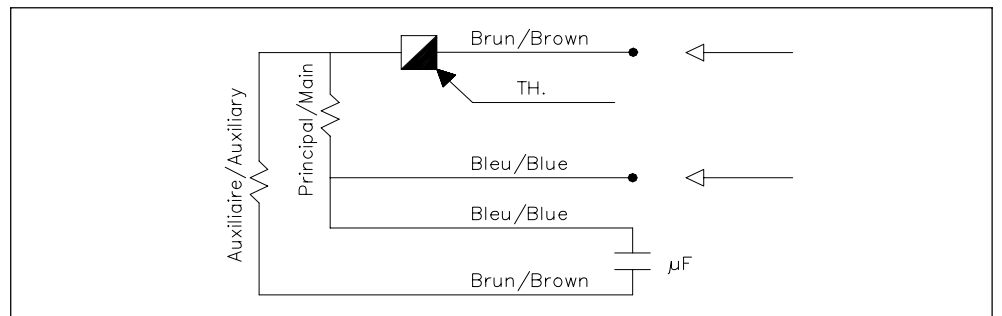
We are constantly working to make our products better and more reliable. Therefore we cannot guarantee data update.  
Therefore, although we put a lot of care in the making of our documentation, we cannot be held responsible for any error and/or omissions that could have slipped in.

### PERFORMANCE CURVES

measured in our laboratory according to AMCA/ASHRAE 210.85 fig.12



### WIRING DIAGRAM



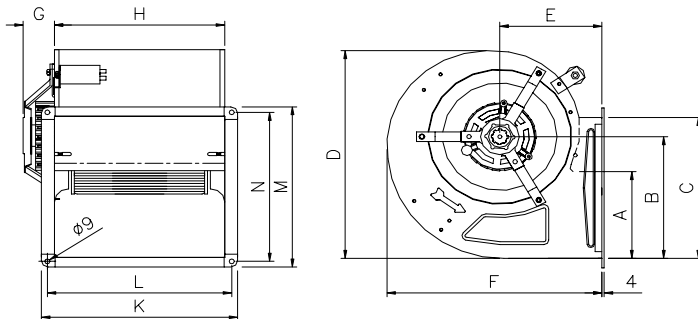
### FAN TECHNICAL DATA

ID CODE	<b>710002</b>
FAN NAME	<b>DD 7-7-9 1/6 BB</b>
SUPPLY	230 V - 50 Hz
MOTOR	1/6 6PO BB (110173.04)
CAPACITOR	4 $\mu$ F
THERMAL PROTECTION	Incorporated
IP CLASS	44
THERMAL CLASS	B
CONFORMITY	CE
SPEED CONTROL	ES3

### NOMINAL INSTALLATION DATA

Pressure (Pa)	Amps (A)	Abs.Power (W)	Max air T°(TM) (°C)
Minimum	0	0,86	65
Maximum	125	0,68	65

### DIMENSIONS

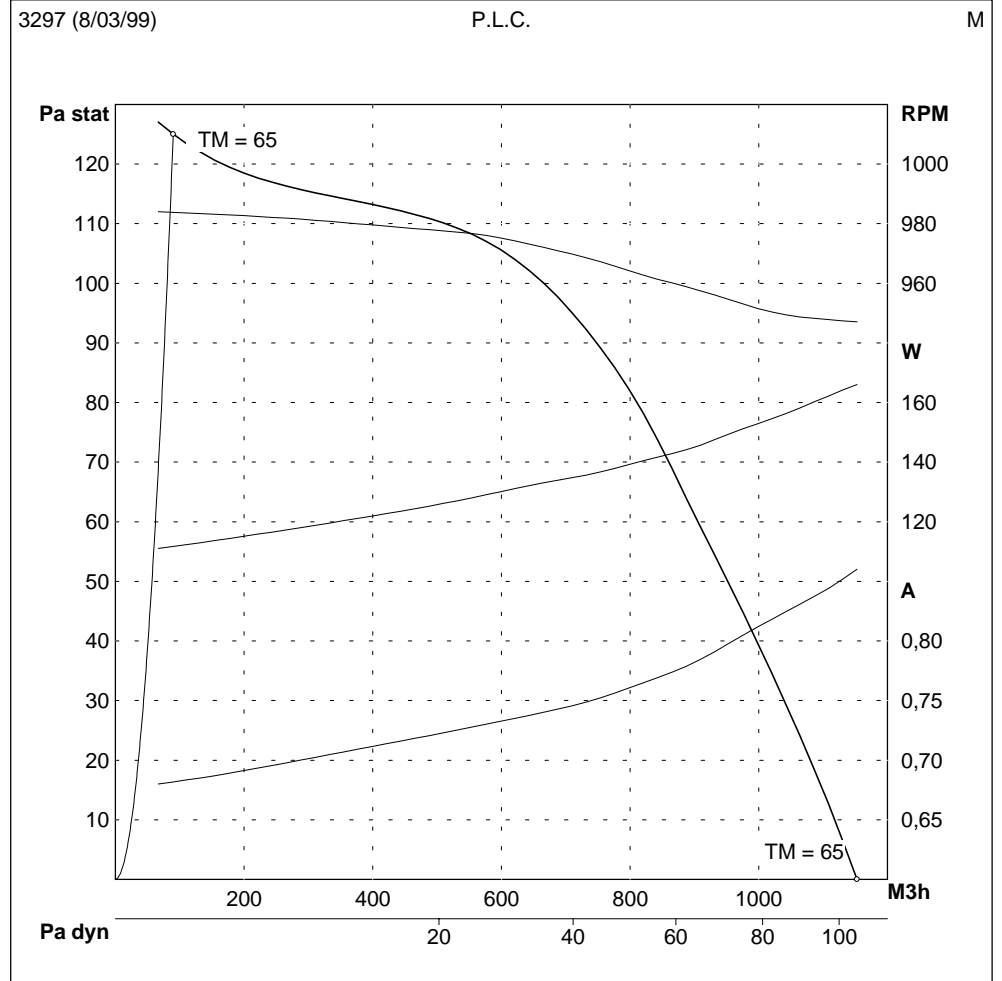


A	B	C	D	E	F	G	H	K	L	M	N
104	164	210	291	125	270	56	233	279	258	246	225

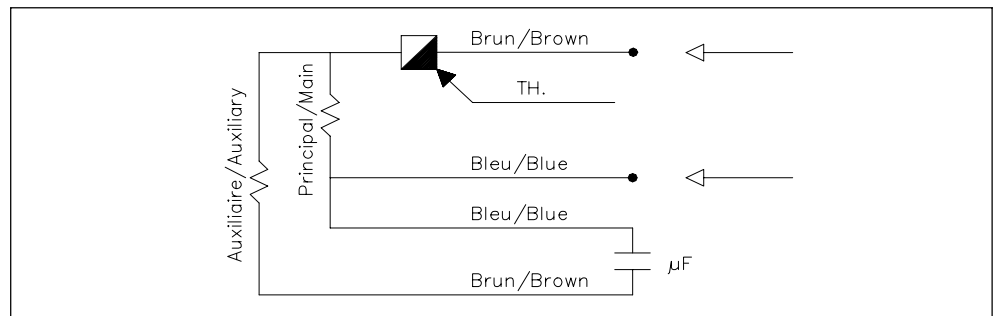
We are constantly working to make our products better and more reliable. Therefore we cannot guarantee data update.  
Therefore, although we put a lot of care in the making of our documentation, we cannot be held responsible for any error and/or omissions that could have slipped in.

### PERFORMANCE CURVES

measured in our laboratory according to AMCA/ASHRAE 210.85 fig.12



### WIRING DIAGRAM



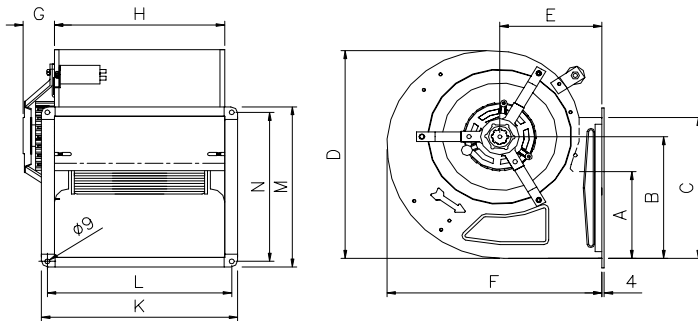
### FAN TECHNICAL DATA

ID CODE	<b>710075</b>
FAN NAME	<b>DD 9-7-14 TH 1/2 BB</b>
SUPPLY	230 V - 50 Hz
MOTOR	1/2 4PO BB (110619.00)
CAPACITOR	10 $\mu$ F
THERMAL PROTECTION	Incorporated
IP CLASS	44
THERMAL CLASS	B
CONFORMITY	CE
SPEED CONTROL	ESB5

### NOMINAL INSTALLATION DATA

Pressure (Pa)	Amps (A)	Abs.Power (W)	Max air T°(TM) (°C)
Minimum	0	3,1	65
Maximum	315	1,9	65

### DIMENSIONS

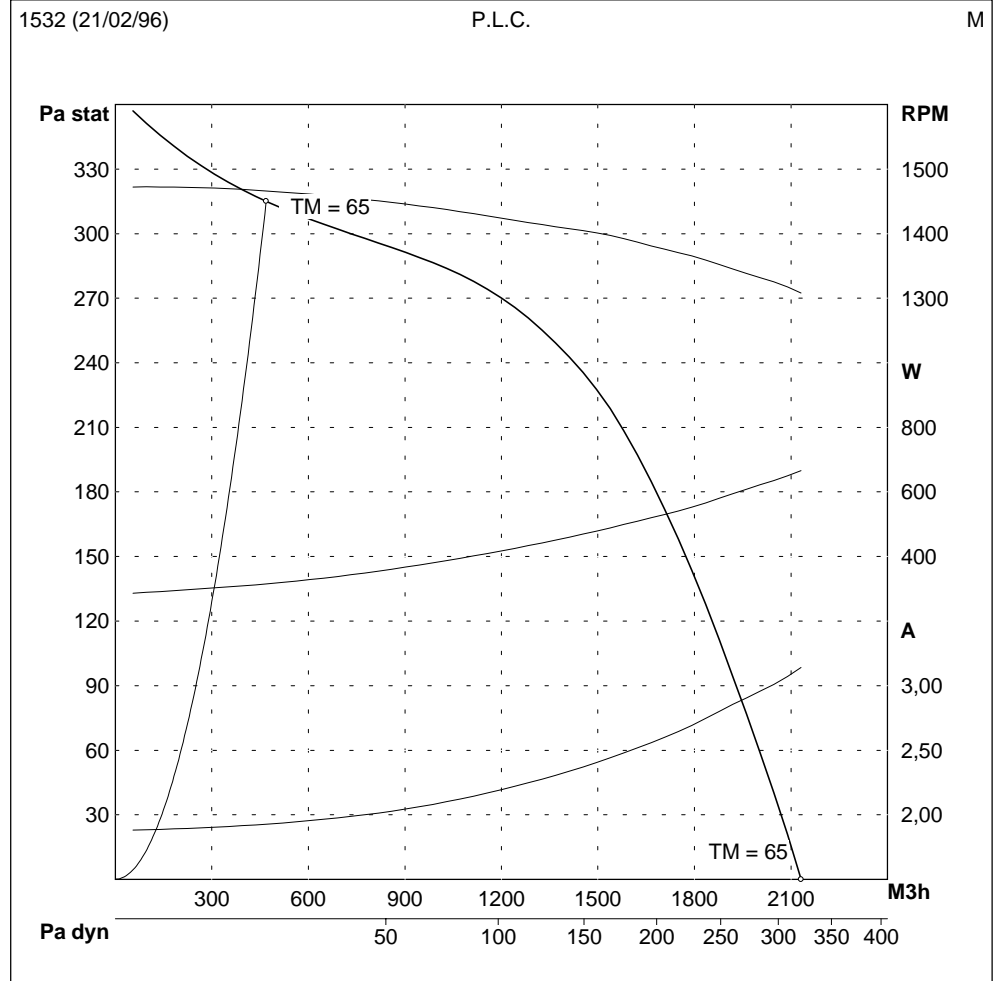


A	B	C	D	E	F	G	H	K	L	M	N
110	175	261	318	165	324	77	233	279	258	301	280

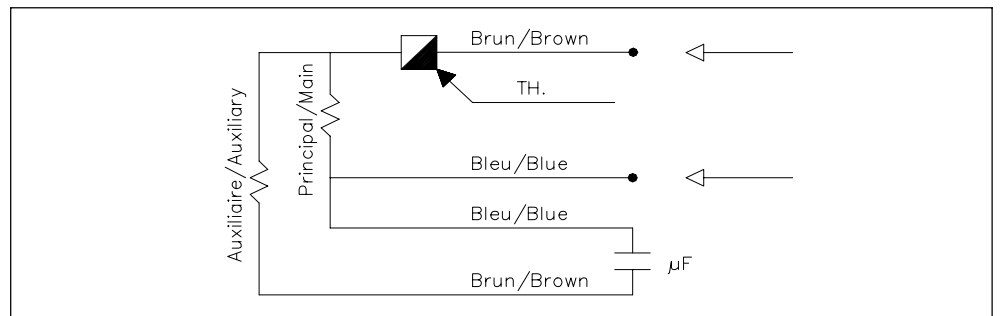
We are constantly working to make our products better and more reliable. Therefore we cannot guarantee data update.  
Therefore, although we put a lot of care in the making of our documentation, we cannot be held responsible for any error and/or omissions that could have slipped in.

### PERFORMANCE CURVES

measured in our laboratory according to AMCA/ASHRAE 210.85 fig.12



### WIRING DIAGRAM



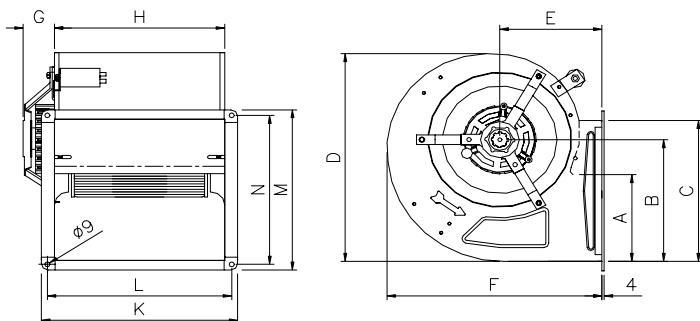
### FAN TECHNICAL DATA

ID CODE	<b>710076</b>
FAN NAME	<b>DD 9-7-14 1/2 BB</b>
SUPPLY	230 V - 50 Hz
MOTOR	1/2 4PO BB (110619.00)
CAPACITOR	10 µF
THERMAL PROTECTION	Incorporated
IP CLASS	44
THERMAL CLASS	B
CONFORMITY	CE
SPEED CONTROL	ESB5

### NOMINAL INSTALLATION DATA

Pressure (Pa)	Amps (A)	Abs.Power (W)	Max air T°(TM) (°C)
Minimum	0	4	55
Maximum	410	2	65

### DIMENSIONS

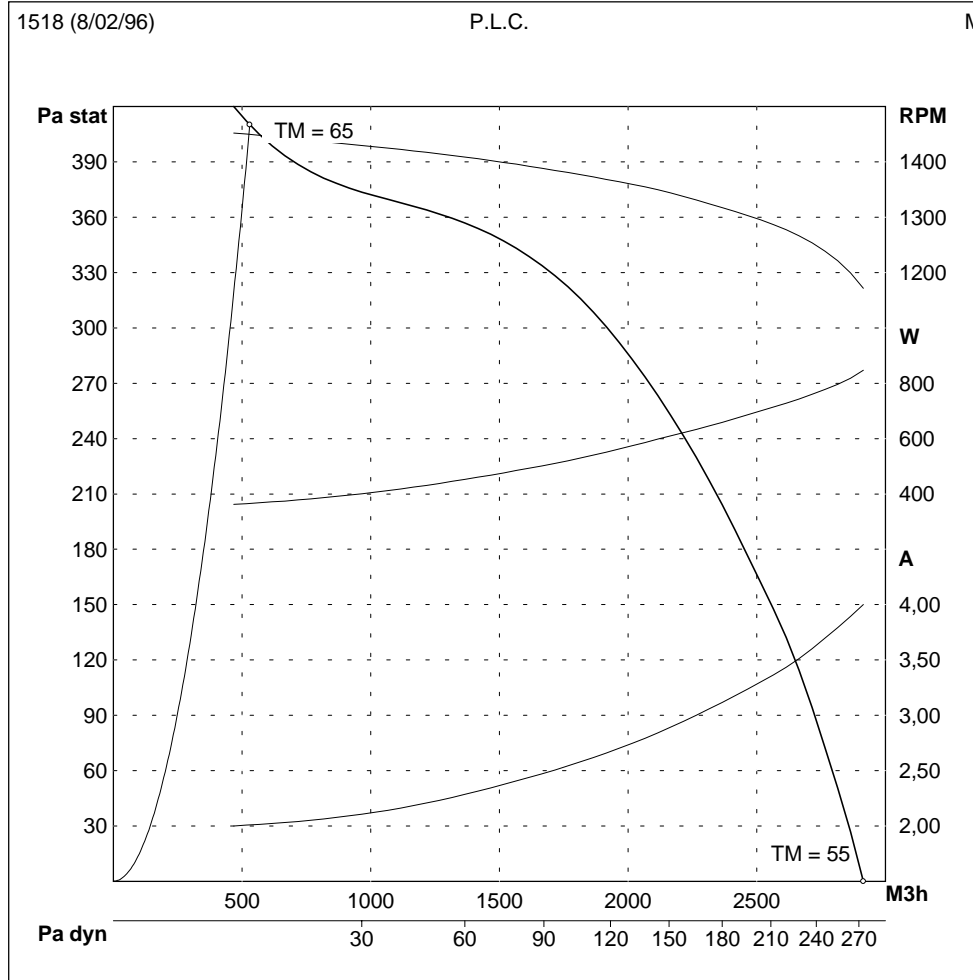


A	B	C	D	E	F	G	H	K	L	M	N
163	229	265	391	180	379	77	233	279	258	301	280

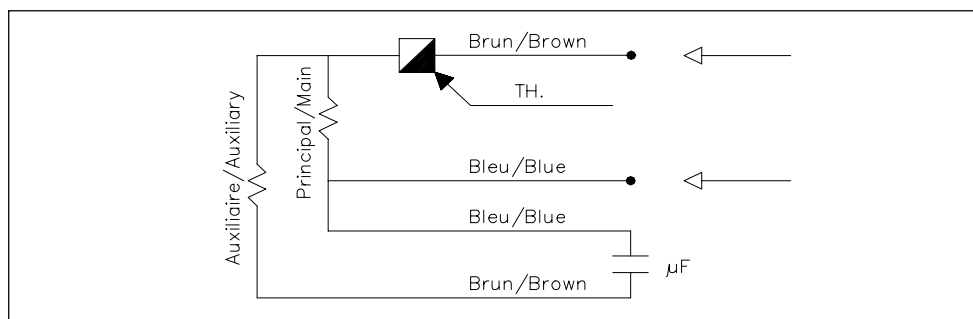
We are constantly working to make our products better and more reliable. Therefore we cannot guarantee data update.  
Therefore, although we put a lot of care in the making of our documentation, we cannot be held responsible for any error and/or omissions that could have slipped in.

### PERFORMANCE CURVES

measured in our laboratory according to AMCA/ASHRAE 210.85 fig.12



### WIRING DIAGRAM



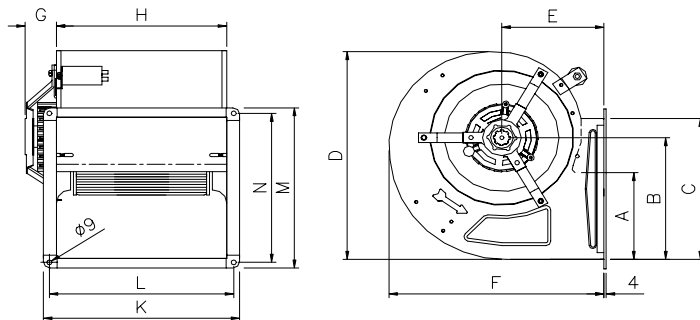
### FAN TECHNICAL DATA

ID CODE	<b>710010</b>
FAN NAME	<b>DD 9-7-9 1/6 BB</b>
SUPPLY	230 V - 50 Hz
MOTOR	1/6 6PO BB (110173.04)
CAPACITOR	5 $\mu$ F
THERMAL PROTECTION	Incorporated
IP CLASS	44
THERMAL CLASS	B
CONFORMITY	CE
SPEED CONTROL	ES3

### NOMINAL INSTALLATION DATA

Pressure (Pa)	Amps (A)	Abs.Power (W)	Max air T°(TM) (°C)
Minimum	0	1,5	55
Maximum	180	0,81	65

### DIMENSIONS

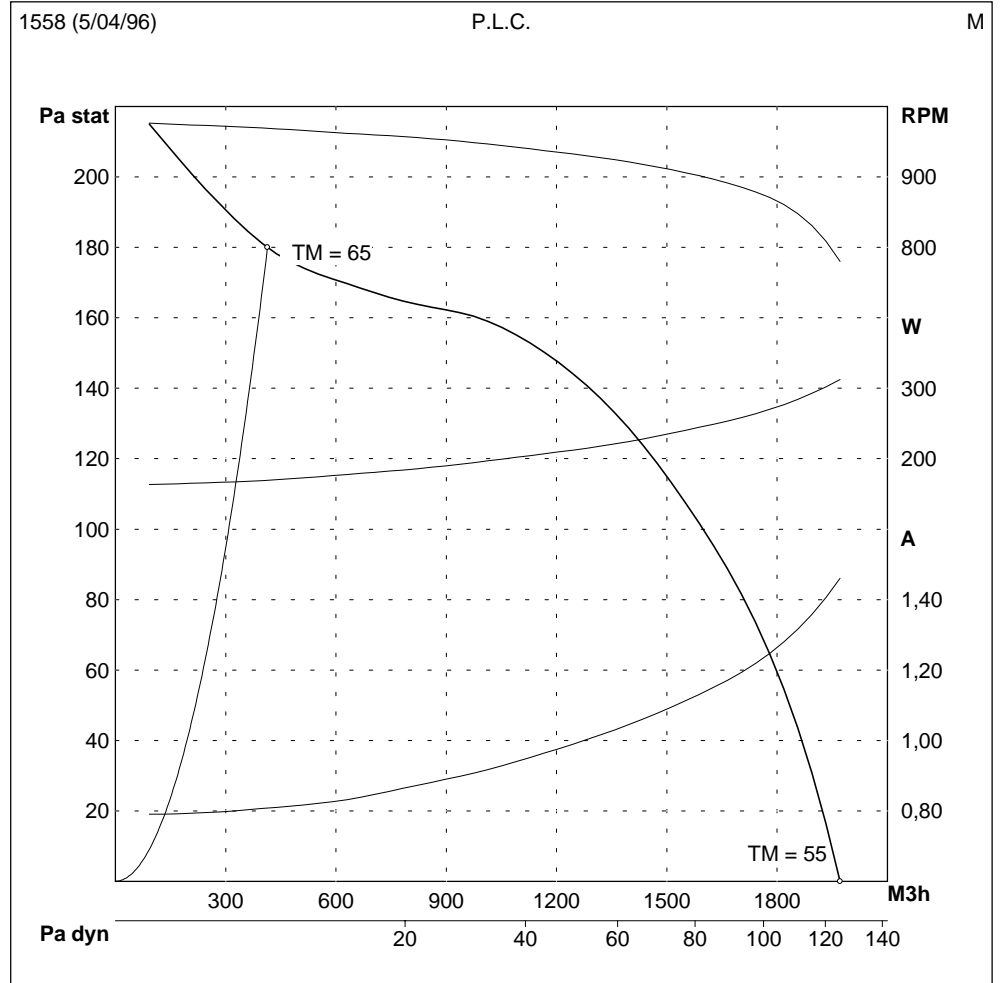


A	B	C	D	E	F	G	H	K	L	M	N
163	229	265	391	180	379	44	233	279	258	301	280

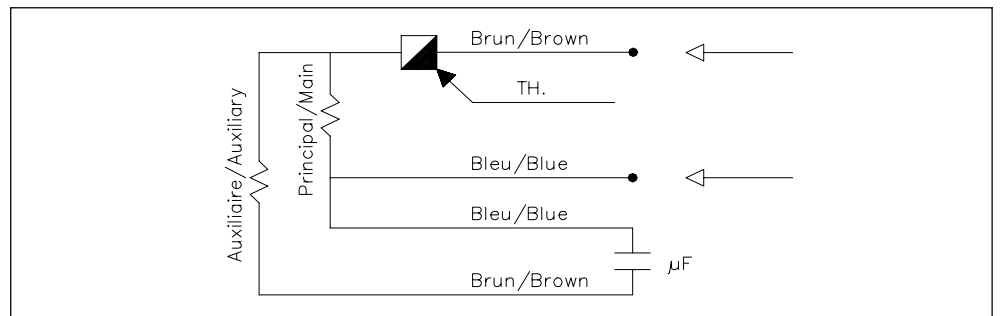
We are constantly working to make our products better and more reliable. Therefore we cannot guarantee data update.  
Therefore, although we put a lot of care in the making of our documentation, we cannot be held responsible for any error and/or omissions that could have slipped in.

### PERFORMANCE CURVES

measured in our laboratory according to AMCA/ASHRAE 210.85 fig.12



### WIRING DIAGRAM



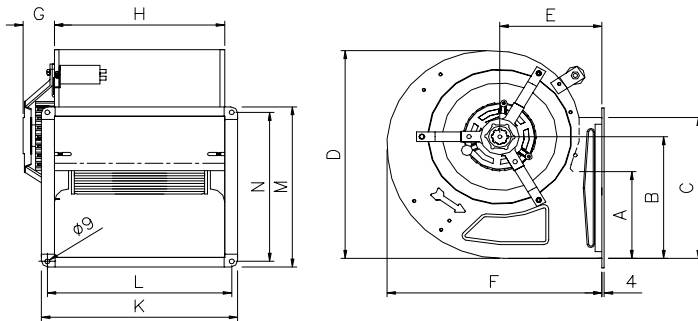
### FAN TECHNICAL DATA

ID CODE	<b>710084</b>
FAN NAME	<b>DD 9-9-14 1/2 BB</b>
SUPPLY	230 V - 50 Hz
MOTOR	1/2 4PO BB (110619.00)
CAPACITOR	10 $\mu$ F
THERMAL PROTECTION	Incorporated
IP CLASS	44
THERMAL CLASS	B
CONFORMITY	CE
SPEED CONTROL	ESB5

### NOMINAL INSTALLATION DATA

	Pressure (Pa)	Amps (A)	Abs.Power (W)	Max air T°(TM) (°C)
Minimum	100	4,4	940	50
Maximum	435	2,2	410	65

### DIMENSIONS

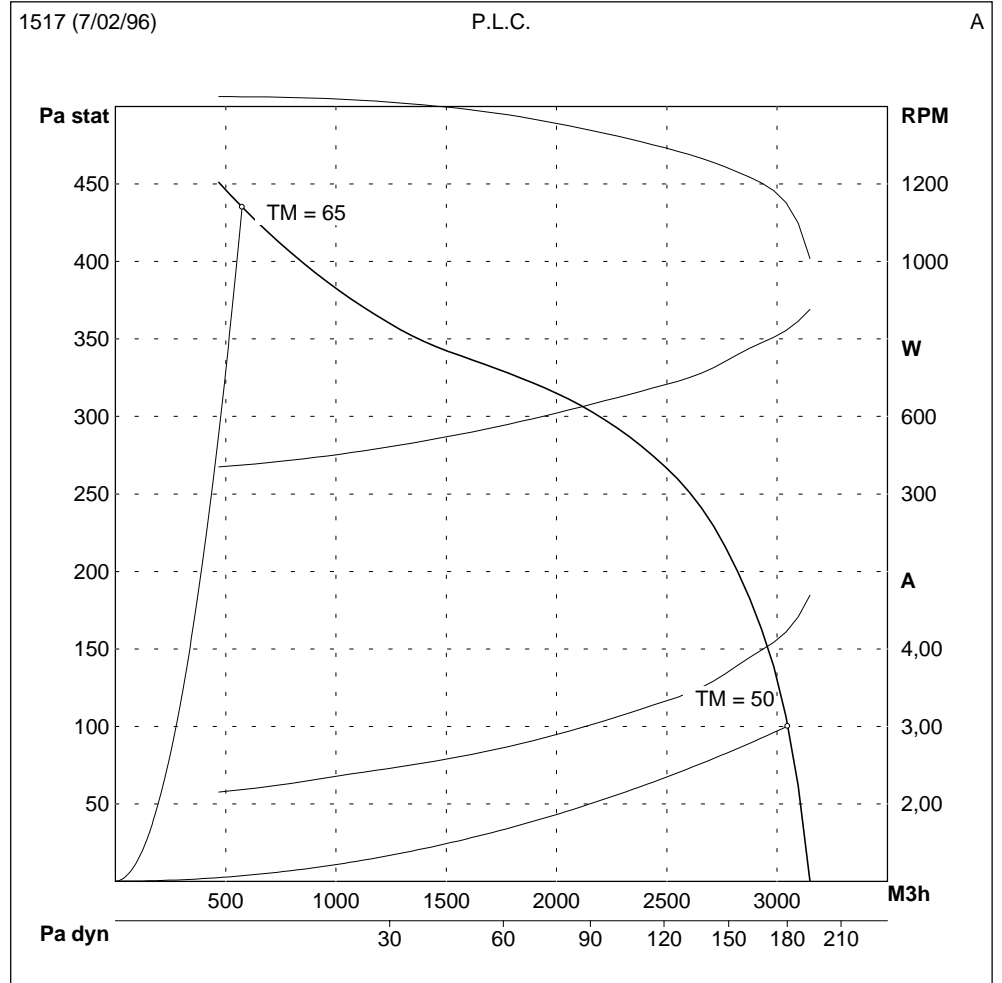


A	B	C	D	E	F	G	H	K	L	M	N
163	229	265	391	180	379	55	300	346	325	301	280

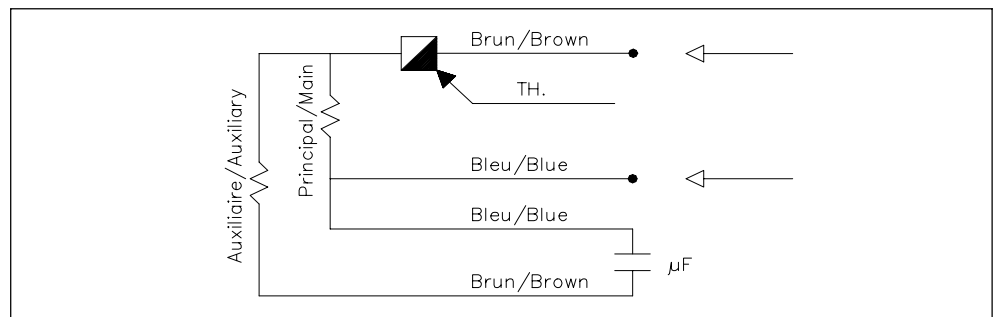
We are constantly working to make our products better and more reliable. Therefore we cannot guarantee data update.  
Therefore, although we put a lot of care in the making of our documentation, we cannot be held responsible for any error and/or omissions that could have slipped in.

### PERFORMANCE CURVES

measured in our laboratory according to AMCA/ASHRAE 210.85 fig.12



### WIRING DIAGRAM





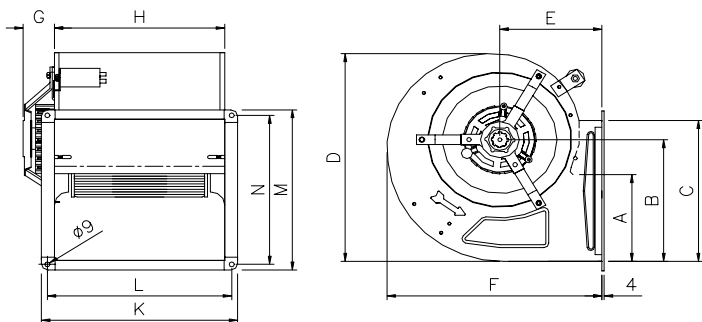
### FAN TECHNICAL DATA

ID CODE	<b>710028</b>
FAN NAME	<b>DD 9-9-9 1/3 BB</b>
SUPPLY	230 V - 50 Hz
MOTOR	1/3 6PO BB (110517.04)
CAPACITOR	8 $\mu$ F
THERMAL PROTECTION	Incorporated
IP CLASS	44
THERMAL CLASS	F
CONFORMITY	CE
SPEED CONTROL	ES3

### NOMINAL INSTALLATION DATA

Pressure (Pa)	Amps (A)	Abs.Power (W)	Max air T°(TM) (°C)
Minimum	0	2,6	65
Maximum	180	1,7	65

### DIMENSIONS

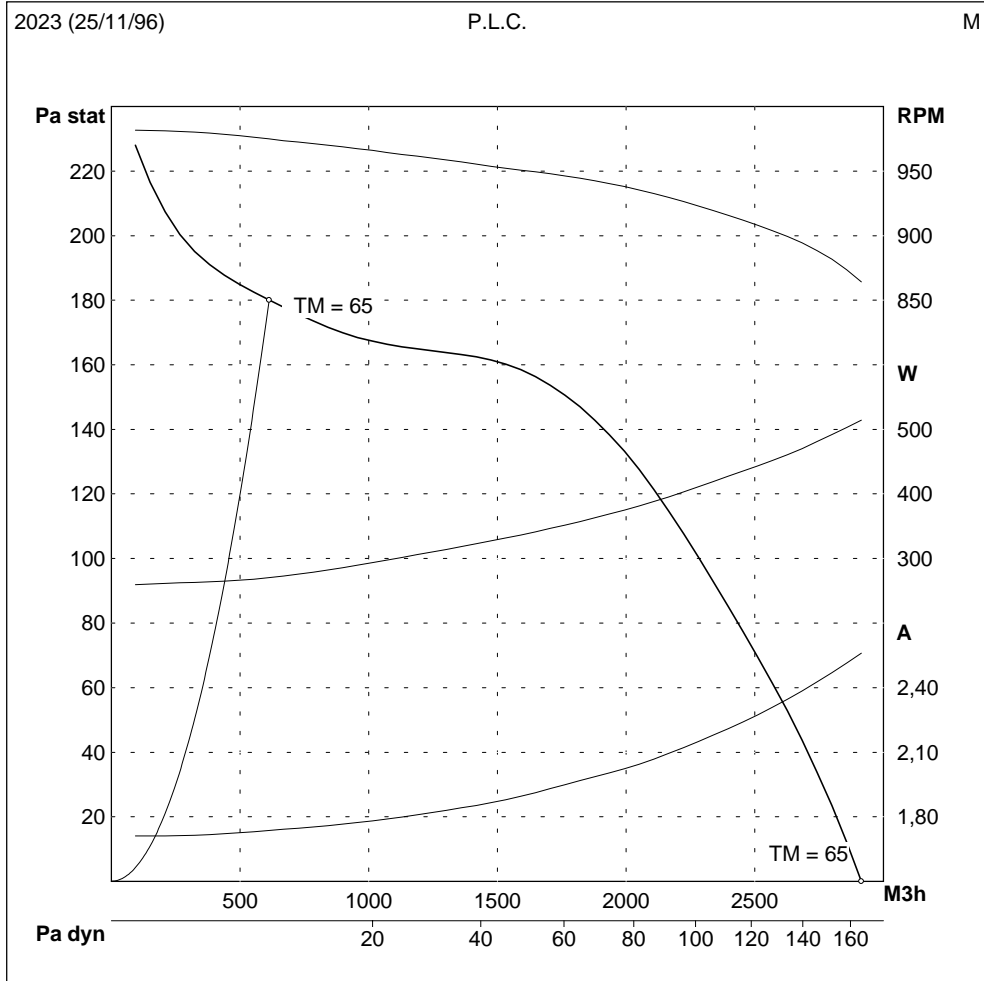


A	B	C	D	E	F	G	H	K	L	M	N
163	229	265	391	180	379	55	300	346	325	301	280

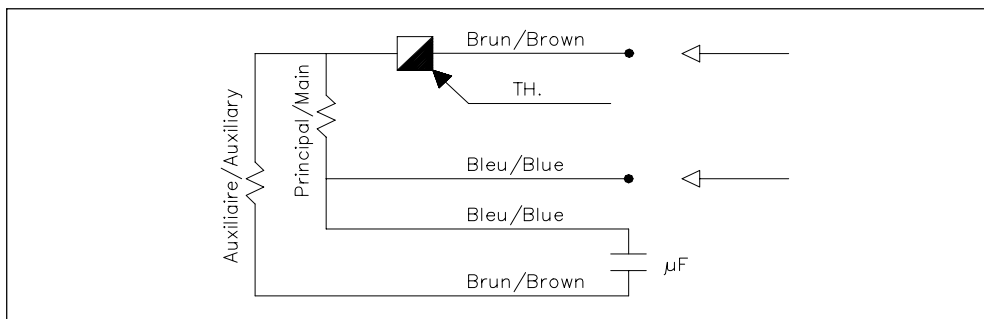
We are constantly working to make our products better and more reliable. Therefore we cannot guarantee data update.  
Therefore, although we put a lot of care in the making of our documentation, we cannot be held responsible for any error and/or omissions that could have slipped in.

### PERFORMANCE CURVES

measured in our laboratory according to AMCA/ASHRAE 210.85 fig.12



### WIRING DIAGRAM



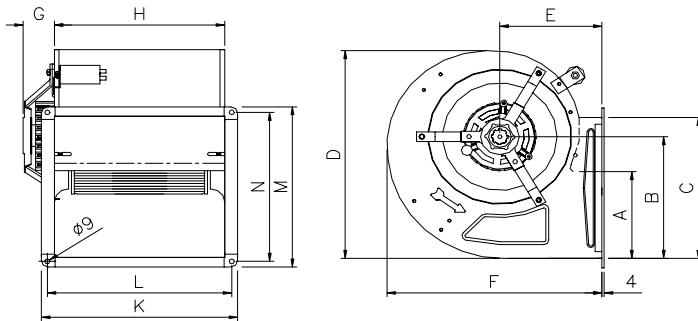
### FAN TECHNICAL DATA

ID CODE	<b>710034</b>
FAN NAME	<b>DD 9-9-9 1/6 BB</b>
SUPPLY	230 V - 50 Hz
MOTOR	1/6 6PO BB (110173.04)
CAPACITOR	4 $\mu$ F
THERMAL PROTECTION	Incorporated
IP CLASS	44
THERMAL CLASS	B
CONFORMITY	CE
SPEED CONTROL	ES3

### NOMINAL INSTALLATION DATA

	Pressure (Pa)	Amps (A)	Abs.Power (W)	Max air T°(TM) (°C)
Minimum	70	1,4	300	55
Maximum	200	0,8	150	65

### DIMENSIONS

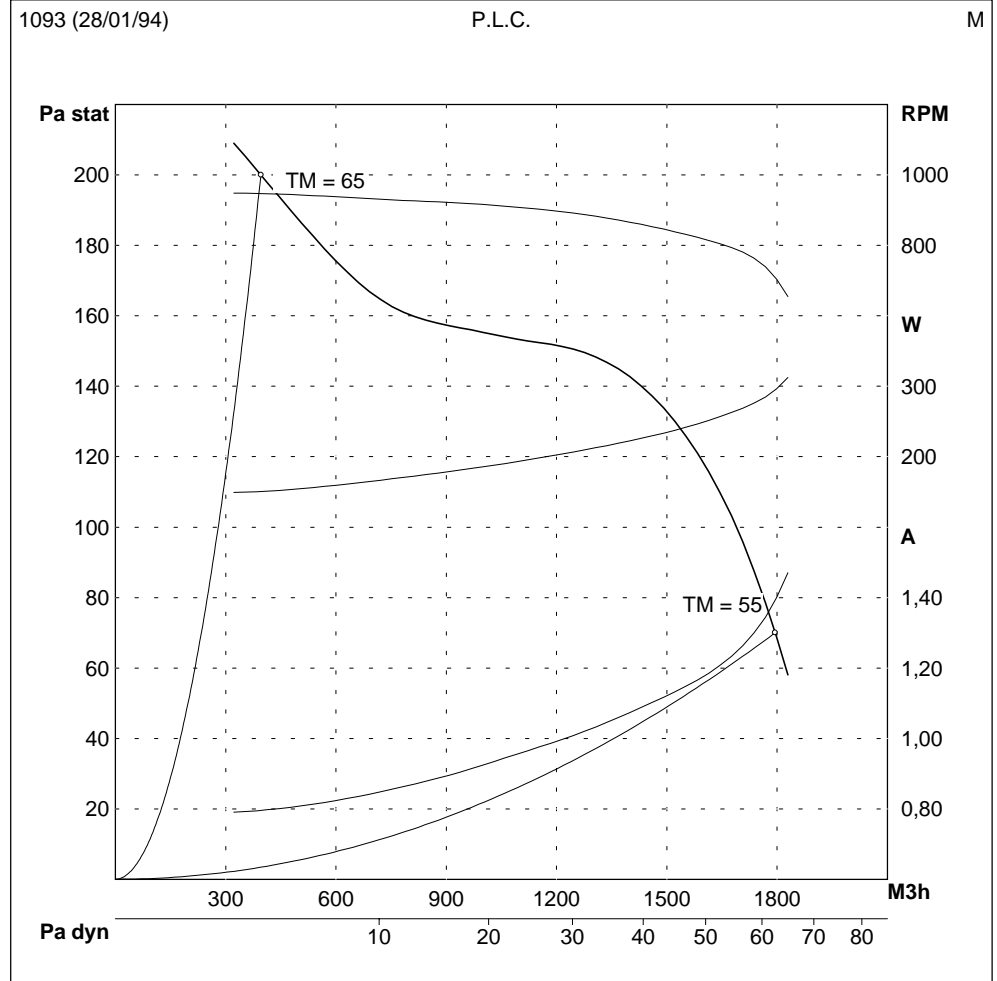


A	B	C	D	E	F	G	H	K	L	M	N
163	229	265	391	180	379	44	300	346	325	301	280

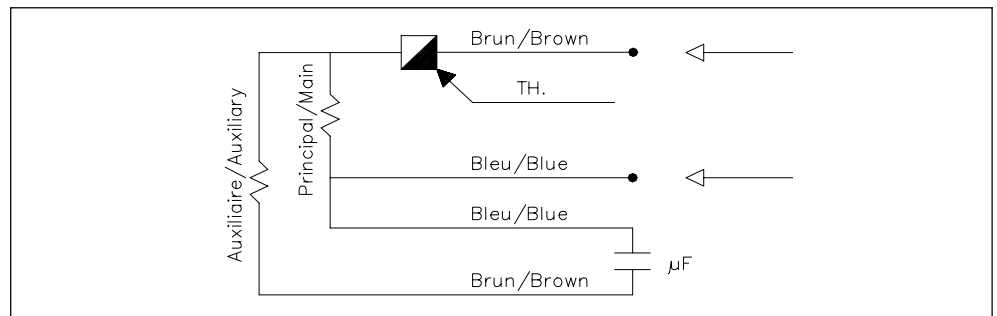
We are constantly working to make our products better and more reliable. Therefore we cannot guarantee data update.  
Therefore, although we put a lot of care in the making of our documentation, we cannot be held responsible for any error and/or omissions that could have slipped in.

### PERFORMANCE CURVES

measured in our laboratory according to AMCA/ASHRAE 210.85 fig.12



### WIRING DIAGRAM



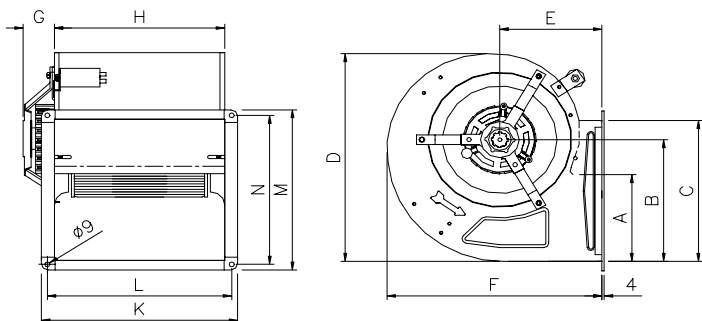
## FAN TECHNICAL DATA

ID CODE	<b>710263</b>
FAN NAME	<b>DD 10-8-14 3/4 BB</b>
SUPPLY	230 V - 50 Hz
MOTOR	3/4 4PO BB (B0048.05)
CAPACITOR	20 $\mu$ F
THERMAL PROTECTION	
IP CLASS	
THERMAL CLASS	
CONFORMITY	CE
SPEED CONTROL	ESB10

## NOMINAL INSTALLATION DATA

	Pressure (Pa)	Amps (A)	Abs.Power (W)	Max air T°(TM) (°C)
Minimum	200	6,6	1470	60
Maximum	600	3,2	630	65

## DIMENSIONS

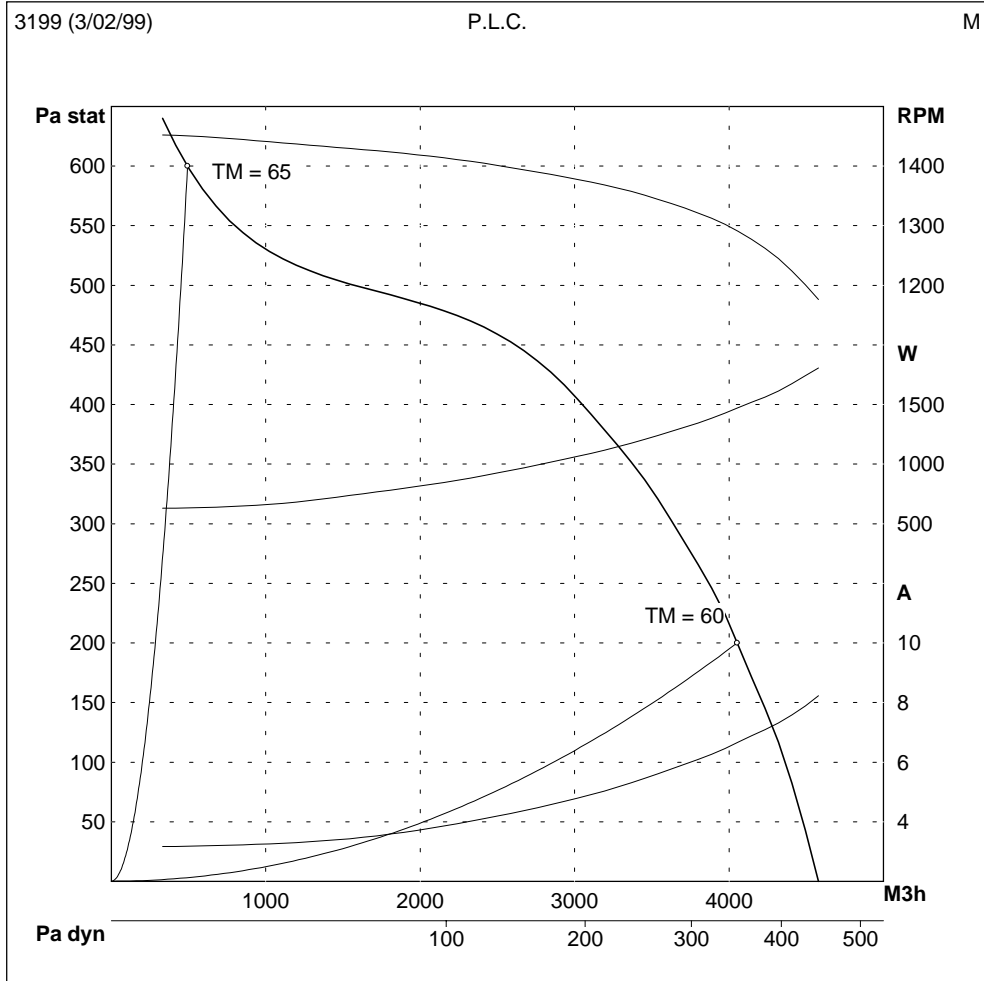


A	B	C	D	E	F	G	H	K	L	M	N
175	258	295	441	191	422	65	267	313	292	331	310

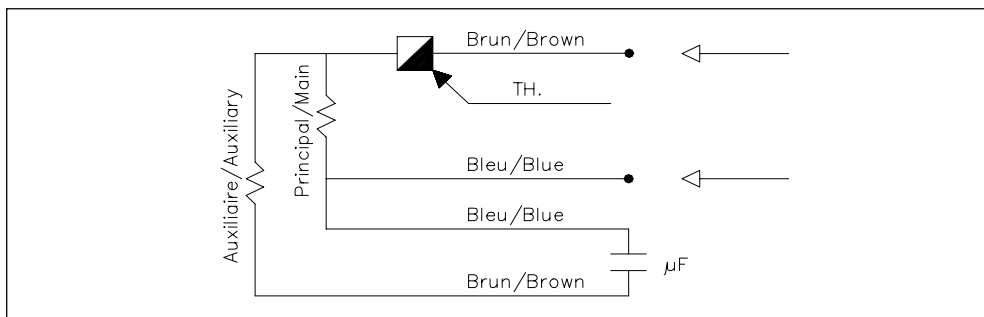
We are constantly working to make our products better and more reliable. Therefore we cannot guarantee data update.  
Therefore, although we put a lot of care in the making of our documentation, we cannot be held responsible for any error and/or omissions that could have slipped in.

## PERFORMANCE CURVES

measured in our laboratory according to AMCA/ASHRAE 210.85 fig.12



## WIRING DIAGRAM



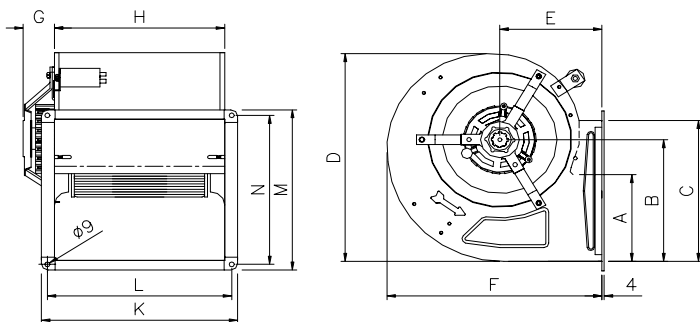
### FAN TECHNICAL DATA

ID CODE	<b>710036</b>
FAN NAME	<b>DD 10-8-9 1/3 BB</b>
SUPPLY	230 V - 50 Hz
MOTOR	1/3 6PO BB (110517.04)
CAPACITOR	8 $\mu$ F
THERMAL PROTECTION	Incorporated
IP CLASS	44
THERMAL CLASS	F
CONFORMITY	CE
SPEED CONTROL	ES3

### NOMINAL INSTALLATION DATA

	Pressure (Pa)	Amps (A)	Abs.Power (W)	Max air T°(TM) (°C)
Minimum	100	2,6	520	60
Maximum	240	1,8	300	65

### DIMENSIONS

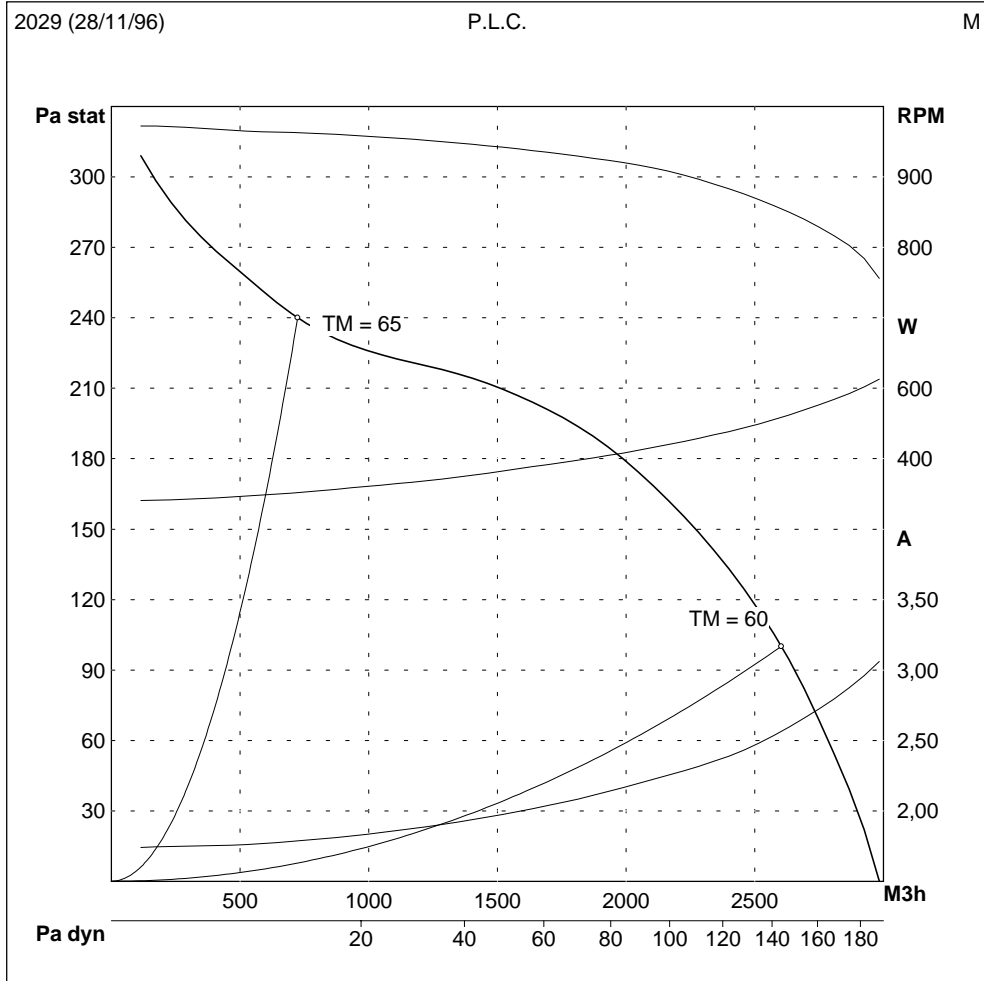


A	B	C	D	E	F	G	H	K	L	M	N
175	258	295	441	191	422	57	267	313	292	331	310

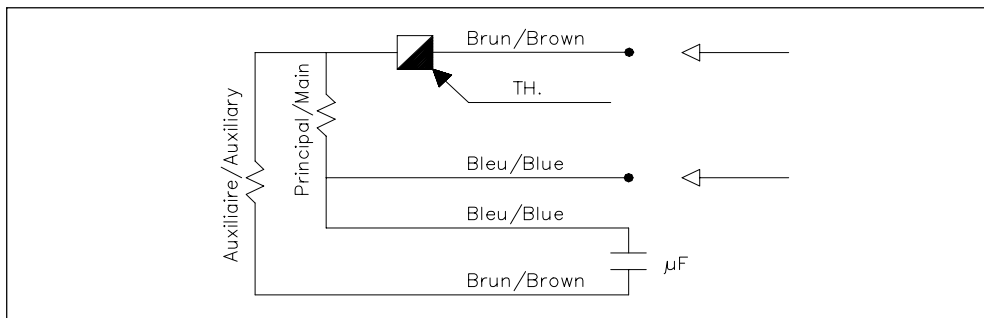
We are constantly working to make our products better and more reliable. Therefore we cannot guarantee data update.  
Therefore, although we put a lot of care in the making of our documentation, we cannot be held responsible for any error and/or omissions that could have slipped in.

### PERFORMANCE CURVES

measured in our laboratory according to AMCA/ASHRAE 210.85 fig.12



### WIRING DIAGRAM



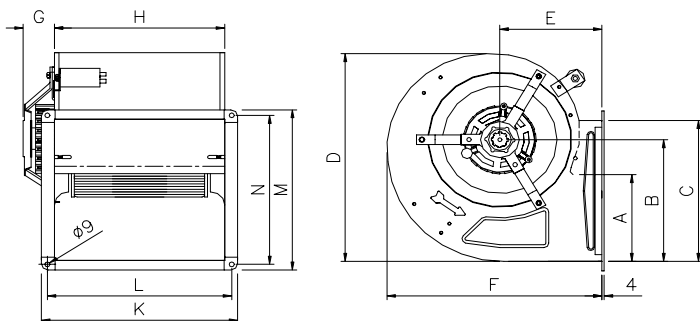
### FAN TECHNICAL DATA

ID CODE	<b>710040</b>
FAN NAME	<b>DD 10-10-9 1/3 BB</b>
SUPPLY	230 V - 50 Hz
MOTOR	1/3 6PO BB (110517.04)
CAPACITOR	8 $\mu$ F
THERMAL PROTECTION	Incorporated
IP CLASS	44
THERMAL CLASS	F
CONFORMITY	CE
SPEED CONTROL	ES3

### NOMINAL INSTALLATION DATA

	Pressure (Pa)	Amps (A)	Abs.Power (W)	Max air T°(TM) (°C)
Minimum	100	2,8	560	60
Maximum	260	1,8	300	65

### DIMENSIONS

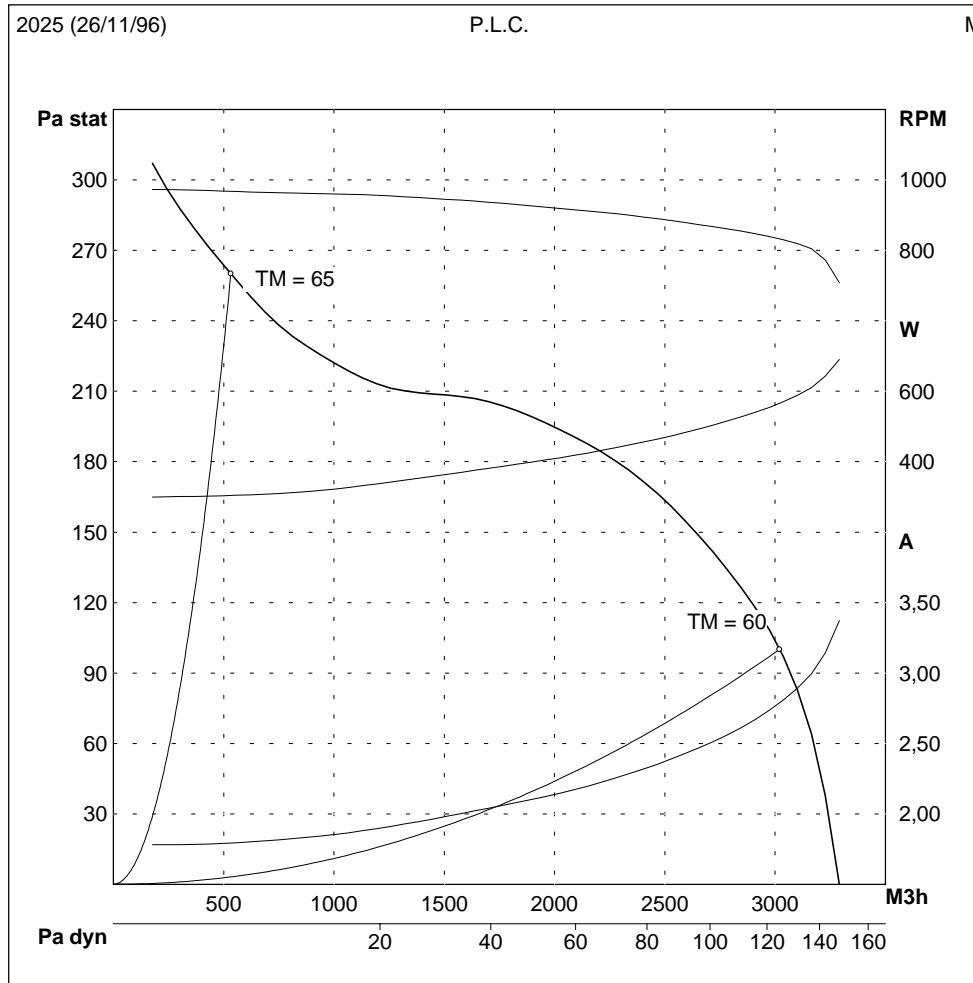


A	B	C	D	E	F	G	H	K	L	M	N
175	258	295	441	191	422	47	333	379	358	331	310

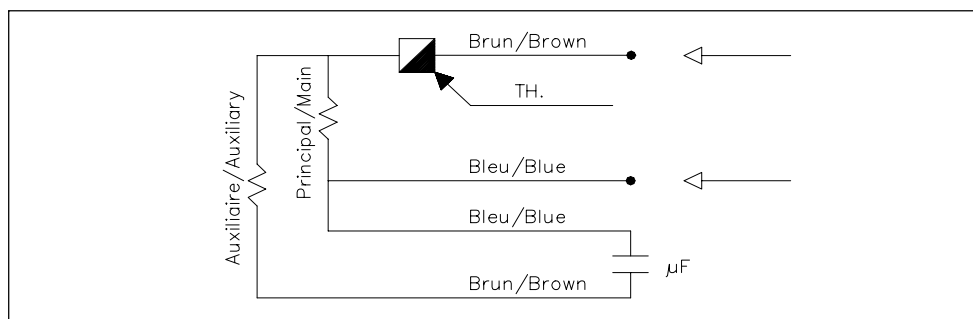
We are constantly working to make our products better and more reliable. Therefore we cannot guarantee data update.  
Therefore, although we put a lot of care in the making of our documentation, we cannot be held responsible for any error and/or omissions that could have slipped in.

### PERFORMANCE CURVES

measured in our laboratory according to AMCA/ASHRAE 210.85 fig.12



### WIRING DIAGRAM



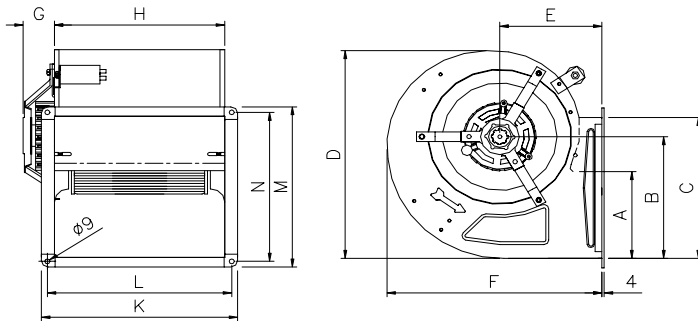
### FAN TECHNICAL DATA

ID CODE	<b>710044</b>
FAN NAME	<b>DD 10-10-9 3/4 BB</b>
SUPPLY	230 V - 50 Hz
MOTOR	3/4 6PO BB (110344.11)
CAPACITOR	12,5 µF
THERMAL PROTECTION	Incorporated
IP CLASS	44
THERMAL CLASS	B
CONFORMITY	CE
SPEED CONTROL	ESB5

### NOMINAL INSTALLATION DATA

Pressure (Pa)	Amps (A)	Abs.Power (W)	Max air T°(TM) (°C)
Minimum	0	4,1	55
Maximum	270	2,7	55

### DIMENSIONS

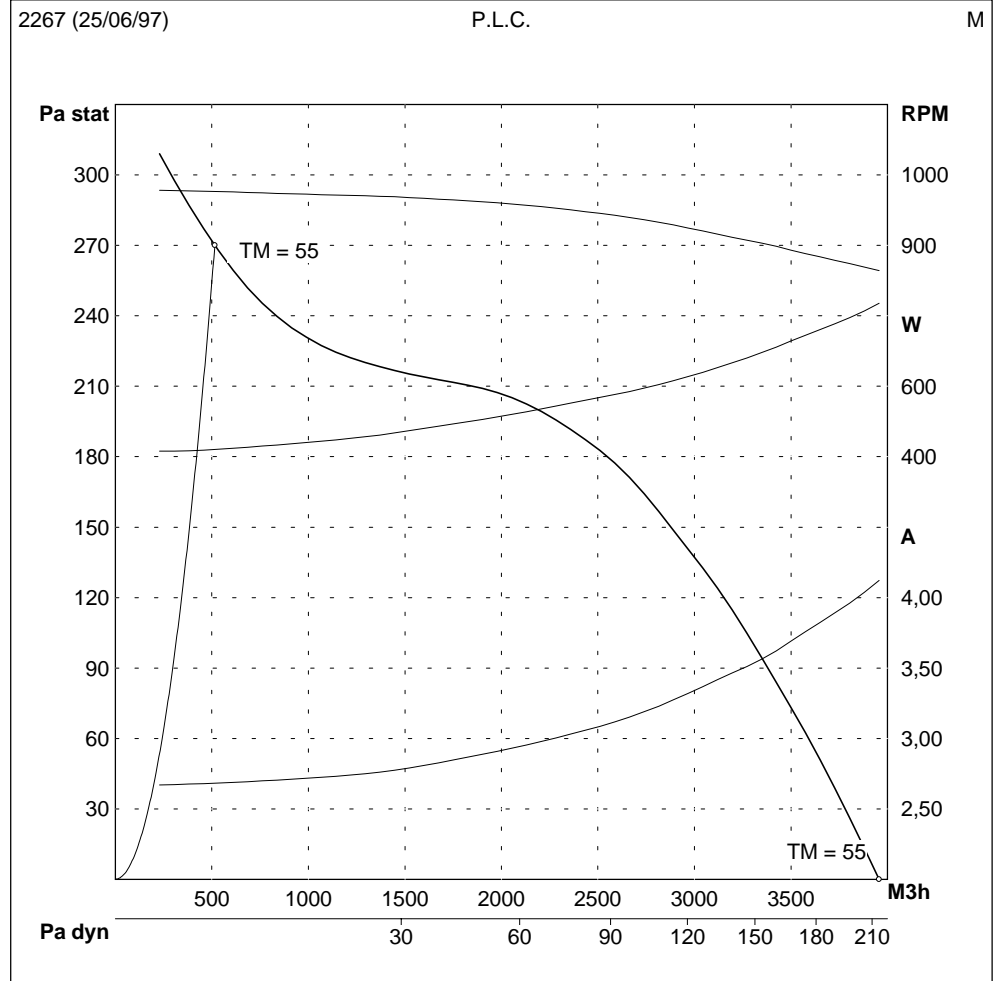


A	B	C	D	E	F	G	H	K	L	M	N
175	258	295	441	191	422	60	333	379	358	331	310

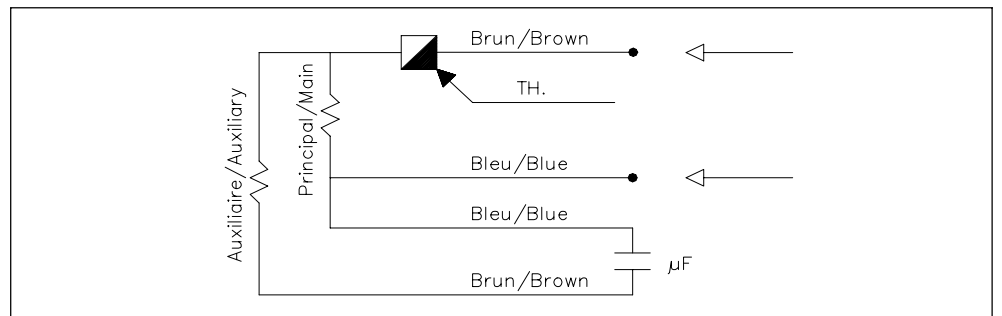
We are constantly working to make our products better and more reliable. Therefore we cannot guarantee data update.  
Therefore, although we put a lot of care in the making of our documentation, we cannot be held responsible for any error and/or omissions that could have slipped in.

### PERFORMANCE CURVES

measured in our laboratory according to AMCA/ASHRAE 210.85 fig.12



### WIRING DIAGRAM



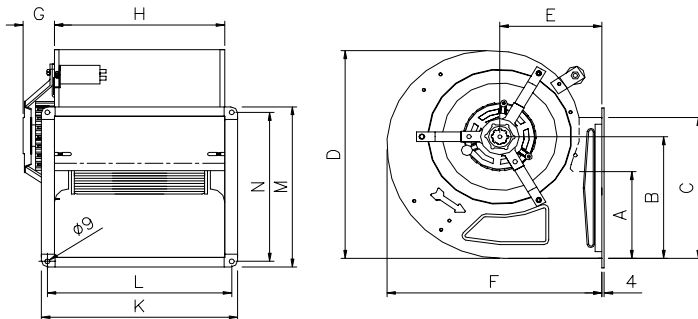
### FAN TECHNICAL DATA

ID CODE	<b>710094</b>
FAN NAME	<b>DD 10-10-14 5/8 BB</b>
SUPPLY	230 V - 50 Hz
MOTOR	5/8 4PO BB (110164.21)
CAPACITOR	12,5 µF
THERMAL PROTECTION	Incorporated
IP CLASS	44
THERMAL CLASS	B
CONFORMITY	CE
SPEED CONTROL	ESB10

### NOMINAL INSTALLATION DATA

	Pressure (Pa)	Amps (A)	Abs.Power (W)	Max air T°(TM) (°C)
Minimum	300	5,8	1280	45
Maximum	540	3,1	640	50

### DIMENSIONS

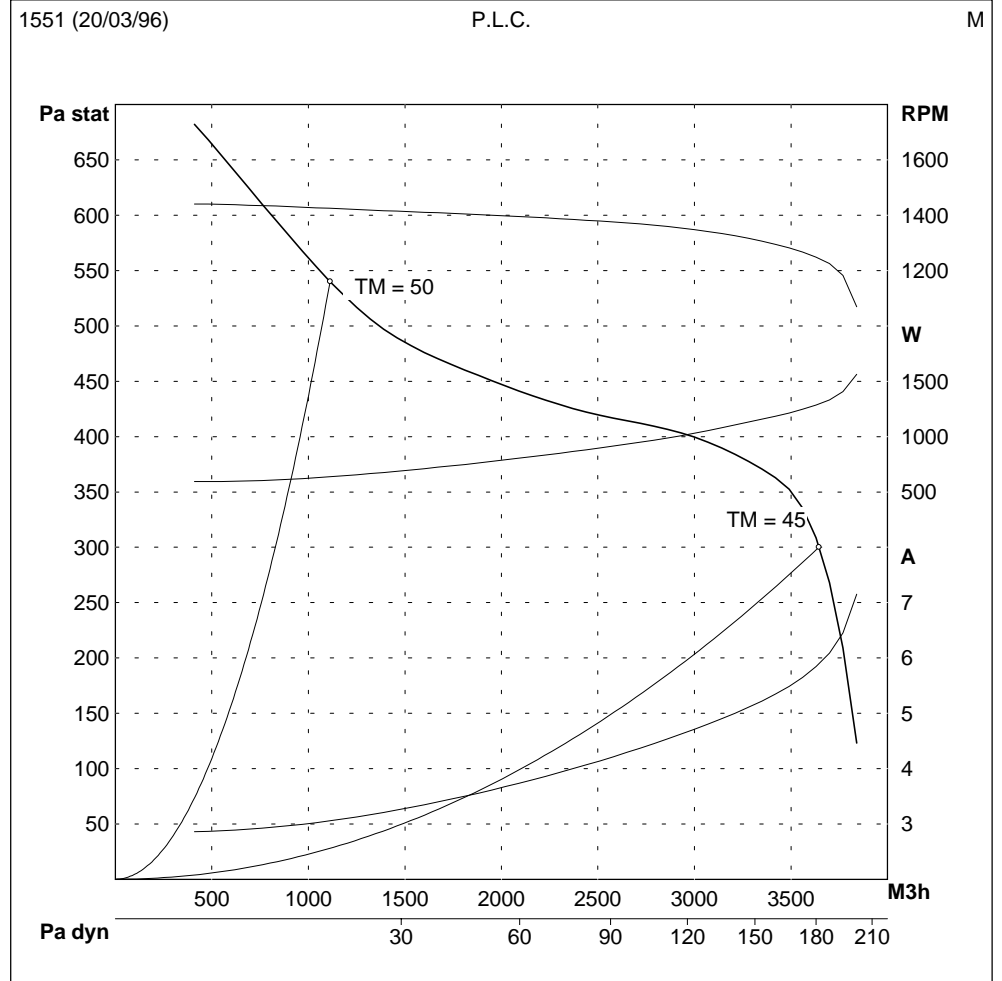


A	B	C	D	E	F	G	H	K	L	M	N
175	258	295	441	191	422	60	333	379	358	331	310

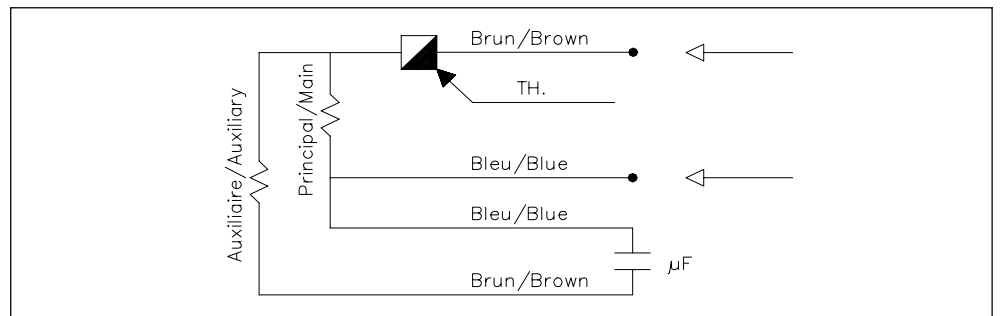
We are constantly working to make our products better and more reliable. Therefore we cannot guarantee data update.  
Therefore, although we put a lot of care in the making of our documentation, we cannot be held responsible for any error and/or omissions that could have slipped in.

### PERFORMANCE CURVES

measured in our laboratory according to AMCA/ASHRAE 210.85 fig.12



### WIRING DIAGRAM



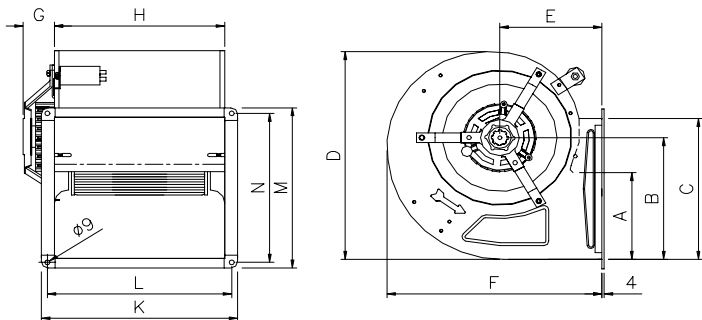
## FAN TECHNICAL DATA

ID CODE	<b>710262</b>
FAN NAME	<b>DD 10-10-14 3/4 BB</b>
SUPPLY	230 V - 50 Hz
MOTOR	3/4 4PO BB (B0048.05)
CAPACITOR	20 $\mu$ F
THERMAL PROTECTION	Incorporated
IP CLASS	44
THERMAL CLASS	F
CONFORMITY	CE
SPEED CONTROL	ESB10

## NOMINAL INSTALLATION DATA

	Pressure (Pa)	Amps (A)	Abs.Power (W)	Max air T°(TM) (°C)
Minimum	200	7,4	1620	55
Maximum	720	3,3	670	65

## DIMENSIONS

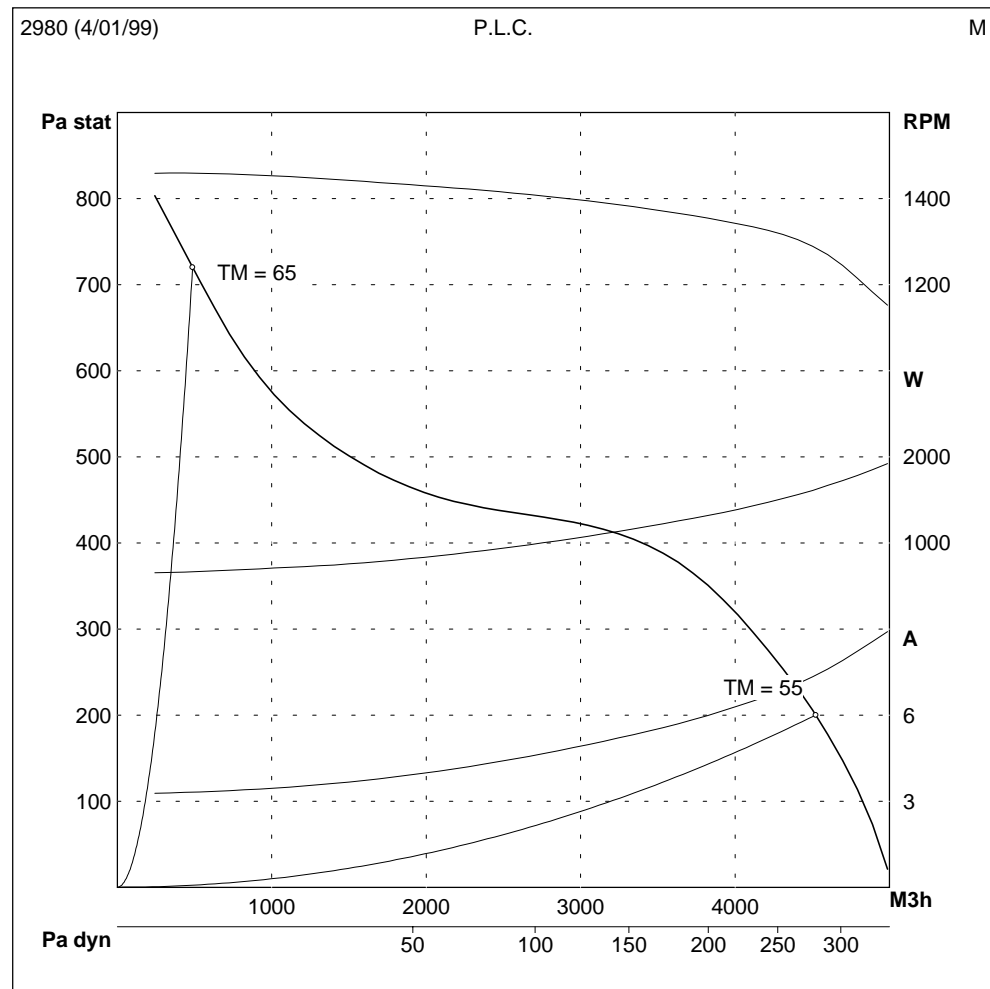


A	B	C	D	E	F	G	H	K	L	M	N
175	258	295	441	191	422	55	333	379	358	331	310

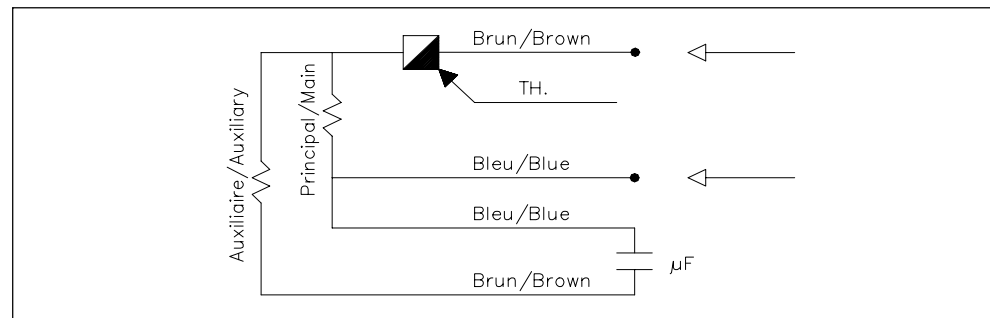
We are constantly working to make our products better and more reliable. Therefore we cannot guarantee data update.  
Therefore, although we put a lot of care in the making of our documentation, we cannot be held responsible for any error and/or omissions that could have slipped in.

## PERFORMANCE CURVES

measured in our laboratory according to AMCA/ASHRAE 210.85 fig.12



## WIRING DIAGRAM





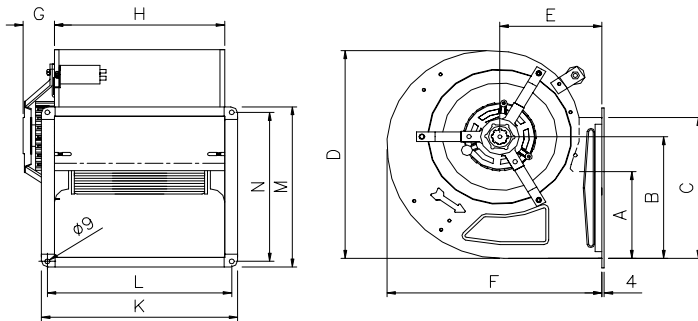
### FAN TECHNICAL DATA

ID CODE	<b>710048</b>
FAN NAME	<b>DD 11-9-9 3/4 BB</b>
SUPPLY	230 V - 50 Hz
MOTOR	3/4 6PO BB (110344.11)
CAPACITOR	12,5 µF
THERMAL PROTECTION	Incorporated
IP CLASS	44
THERMAL CLASS	B
CONFORMITY	CE
SPEED CONTROL	ESB5

### NOMINAL INSTALLATION DATA

	Pressure (Pa)	Amps (A)	Abs.Power (W)	Max air T°(TM) (°C)
Minimum	100	3,9	790	50
Maximum	340	2,7	450	55

### DIMENSIONS

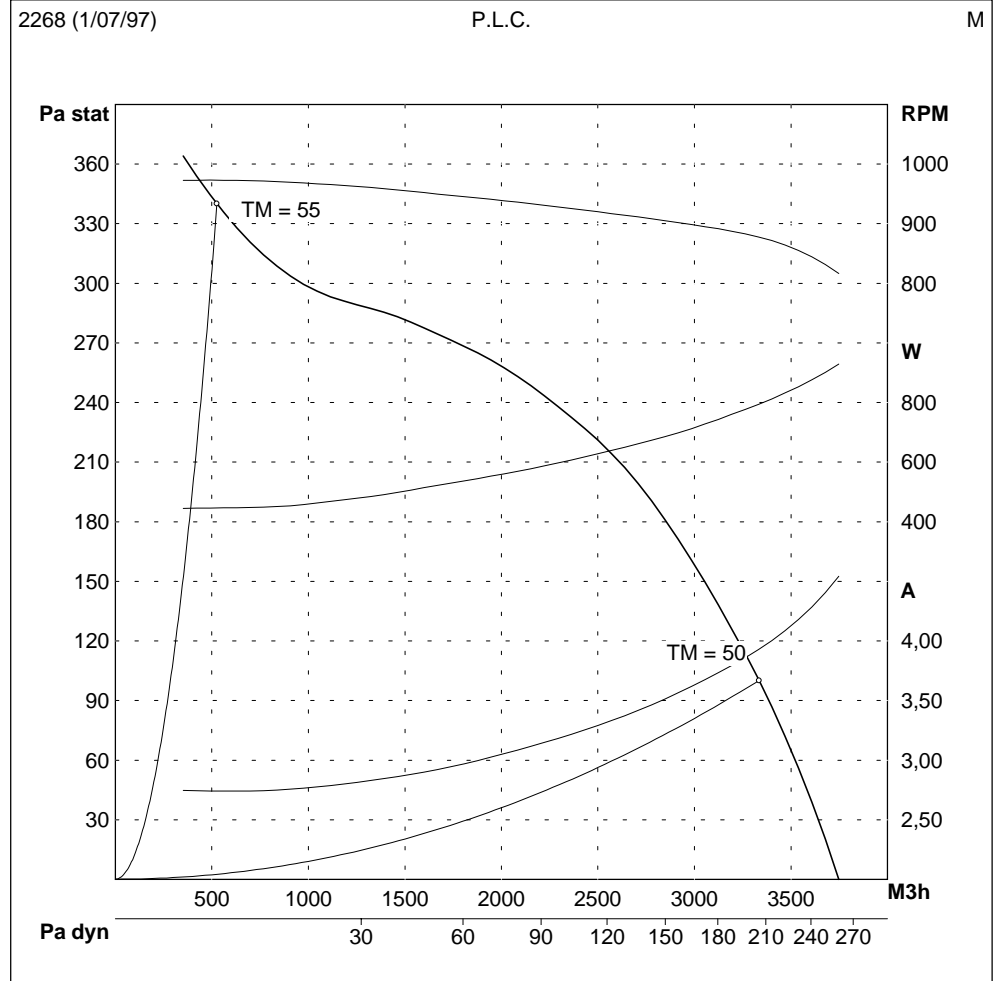


A	B	C	D	E	F	G	H	K	L	M	N
167	262	313	456	193	432	65	300	346	325	350	329

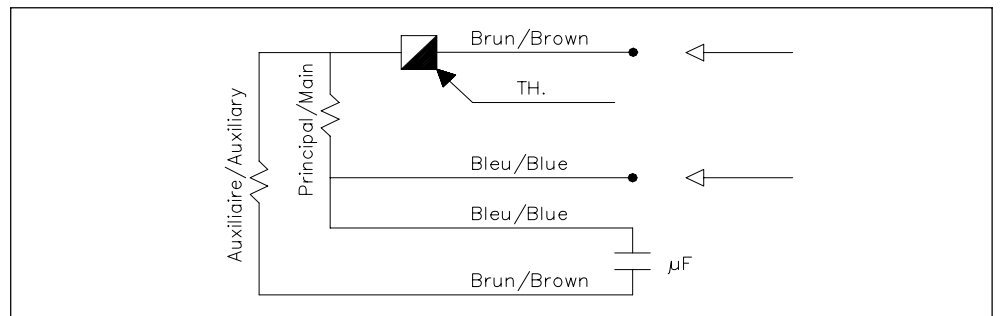
We are constantly working to make our products better and more reliable. Therefore we cannot guarantee data update.  
Therefore, although we put a lot of care in the making of our documentation, we cannot be held responsible for any error and/or omissions that could have slipped in.

### PERFORMANCE CURVES

measured in our laboratory according to AMCA/ASHRAE 210.85 fig.12



### WIRING DIAGRAM



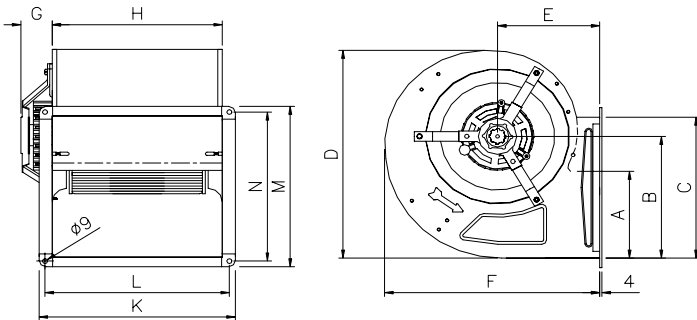
### FAN TECHNICAL DATA

ID CODE	<b>710097</b>
FAN NAME	<b>DD 11-9-14 1/1 T i BB</b>
SUPPLY	3 x 400 V - 50 Hz
MOTOR	1/1 4PO BB T i (B0014.04)
CAPACITOR	-
THERMAL PROTECTION	Incorporated
IP CLASS	44
THERMAL CLASS	F
CONFORMITY	CE
SPEED CONTROL	-

### NOMINAL INSTALLATION DATA

Pressure (Pa)	Amps (A)	Abs.Power (W)	Max air T°(TM) (°C)	
Minimum	150	4	2220	60
Maximum	700	2	800	65

### DIMENSIONS

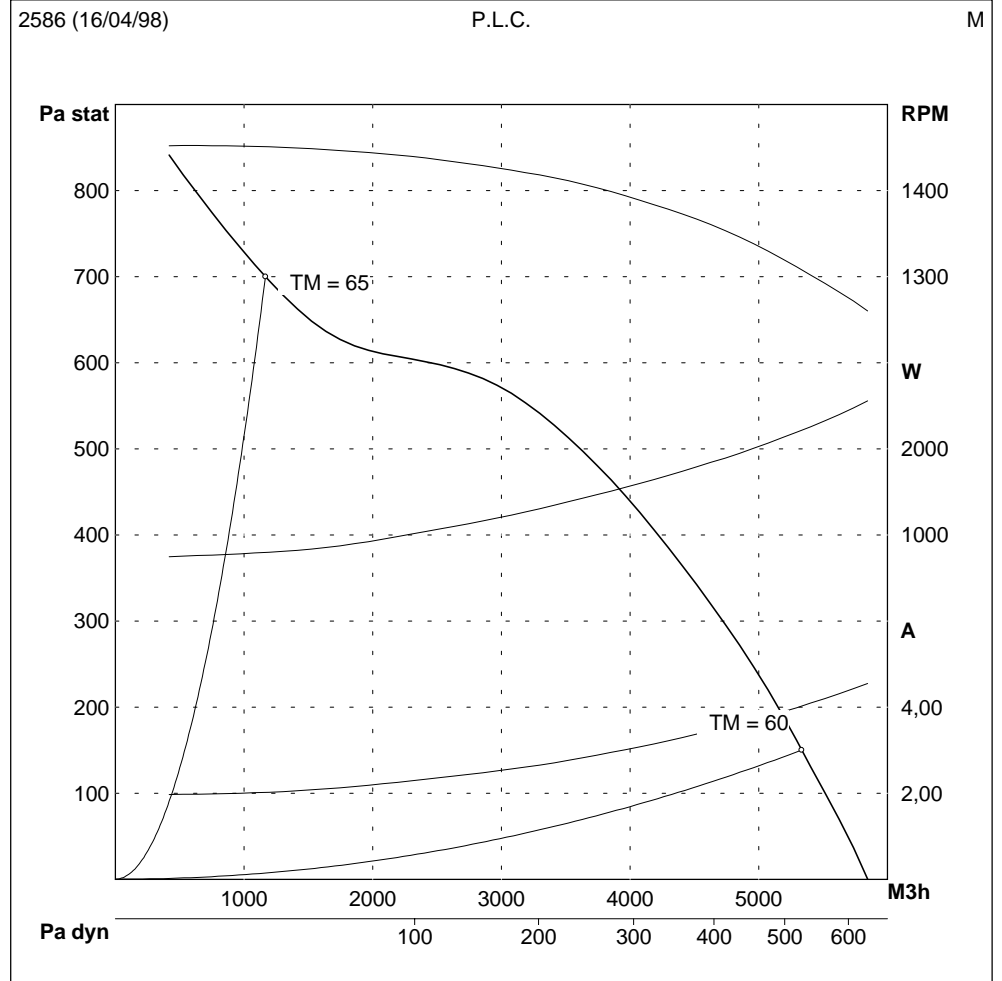


A	B	C	D	E	F	G	H	K	L	M	N
167	262	313	456	193	432	65	300	346	325	350	329

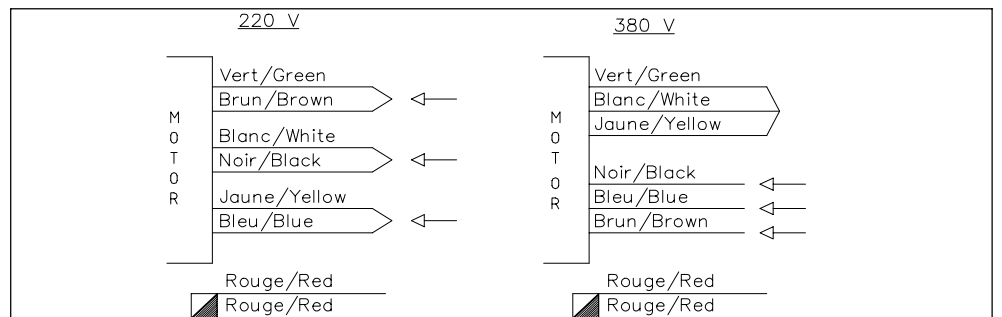
We are constantly working to make our products better and more reliable. Therefore we cannot guarantee data update.  
Therefore, although we put a lot of care in the making of our documentation, we cannot be held responsible for any error and/or omissions that could have slipped in.

### PERFORMANCE CURVES

measured in our laboratory according to AMCA/ASHRAE 210.85 fig.12



### WIRING DIAGRAM



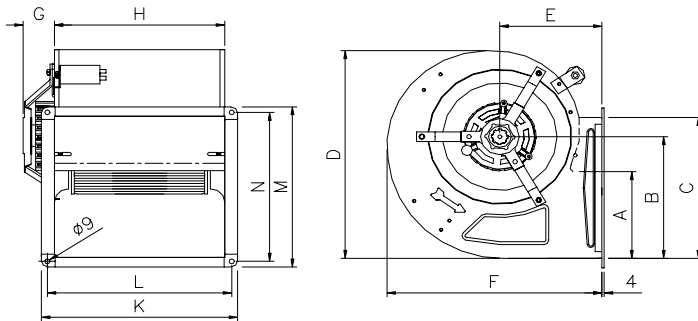
### FAN TECHNICAL DATA

ID CODE	<b>710098</b>
FAN NAME	<b>DD 11-9-14 5/4 BB</b>
SUPPLY	230 V - 50 Hz
MOTOR	5/4 4PO BB (B0024.01)
CAPACITOR	30 µF
THERMAL PROTECTION	Incorporated
IP CLASS	20
THERMAL CLASS	B
CONFORMITY	CE
SPEED CONTROL	ESB10

### NOMINAL INSTALLATION DATA

	Pressure (Pa)	Amps (A)	Abs.Power (W)	Max air T°(TM) (°C)
Minimum	300	7	1600	50
Maximum	750	3,9	880	65

### DIMENSIONS

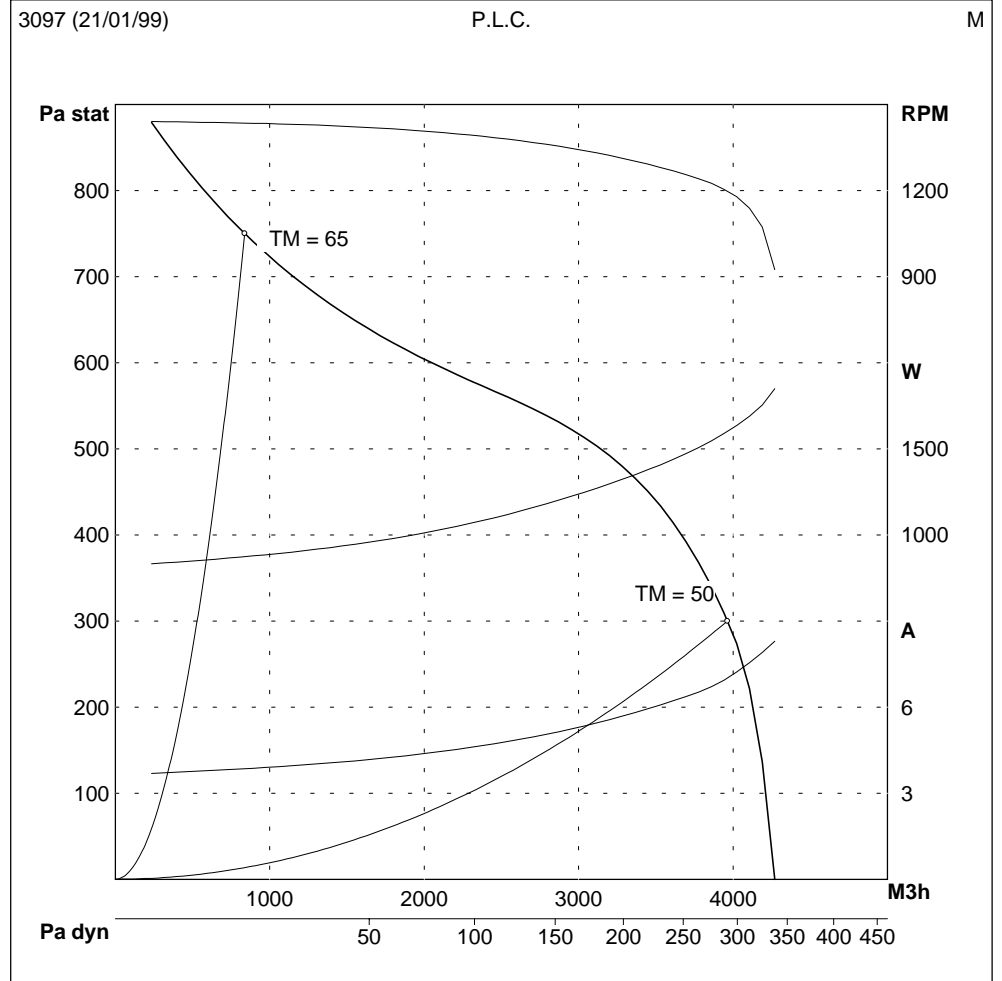


A	B	C	D	E	F	G	H	K	L	M	N
167	262	313	456	193	432	55	300	346	325	350	329

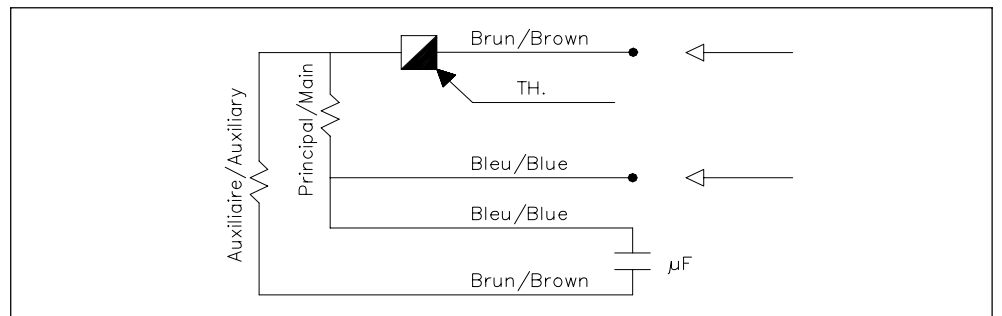
We are constantly working to make our products better and more reliable. Therefore we cannot guarantee data update.  
Therefore, although we put a lot of care in the making of our documentation, we cannot be held responsible for any error and/or omissions that could have slipped in.

### PERFORMANCE CURVES

measured in our laboratory according to AMCA/ASHRAE 210.85 fig.12



### WIRING DIAGRAM



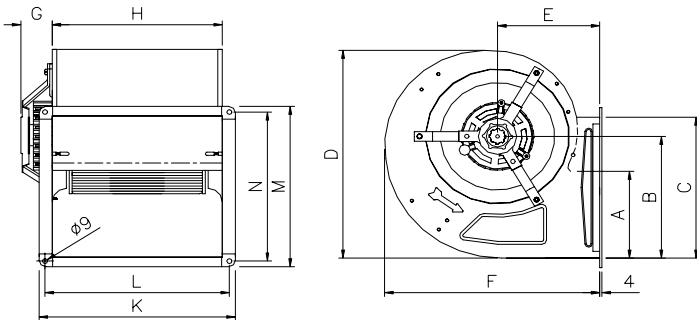
### FAN TECHNICAL DATA

ID CODE	<b>710099</b>
FAN NAME	<b>DD 11-11-14 1/1 T i BB</b>
SUPPLY	3 x 400 V - 50 Hz
MOTOR	1/1 4PO BB T i (B0014.04)
CAPACITOR	-
THERMAL PROTECTION	Incorporated
IP CLASS	44
THERMAL CLASS	F
CONFORMITY	CE
SPEED CONTROL	-

### NOMINAL INSTALLATION DATA

	Pressure (Pa)	Amps (A)	Abs.Power (W)	Max air T°(TM) (°C)
Minimum	170	4,2	2380	60
Maximum	700	2	830	65

### DIMENSIONS

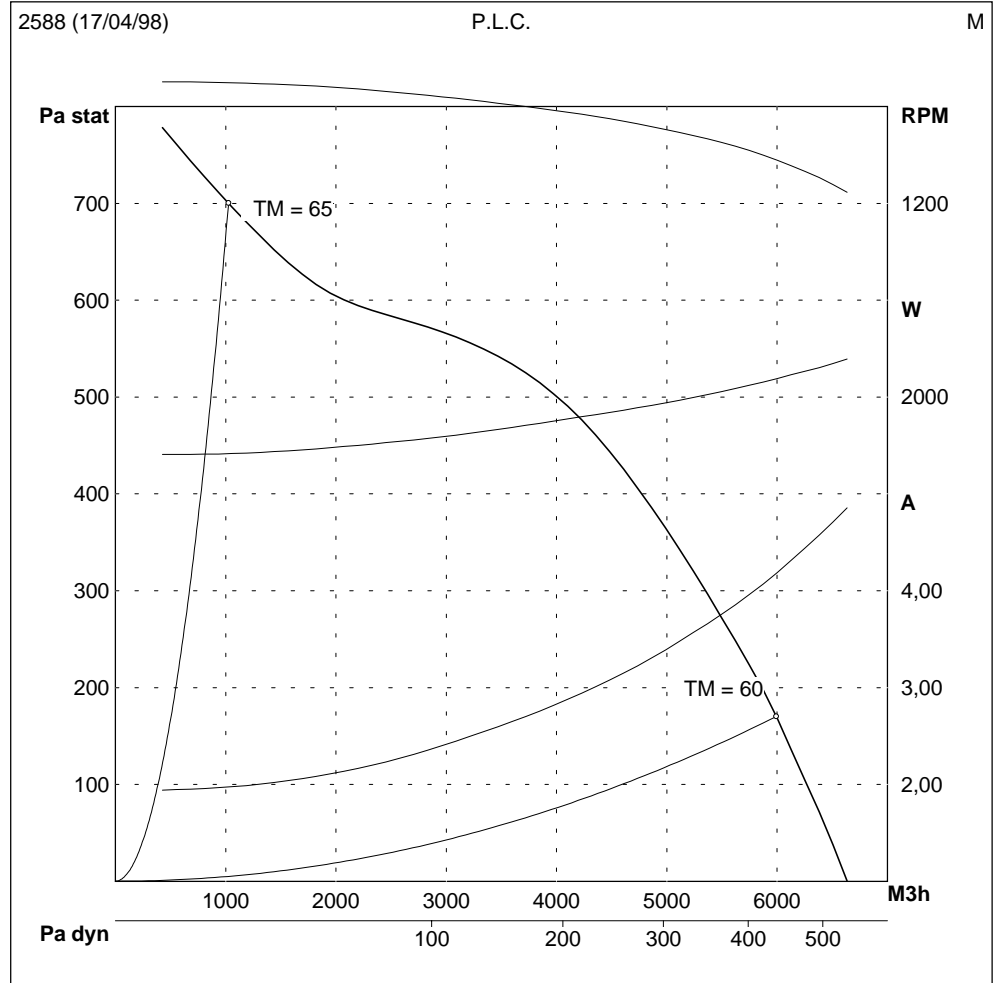


A	B	C	D	E	F	G	H	K	L	M	N
167	262	313	456	193	432	20	370	416	395	350	329

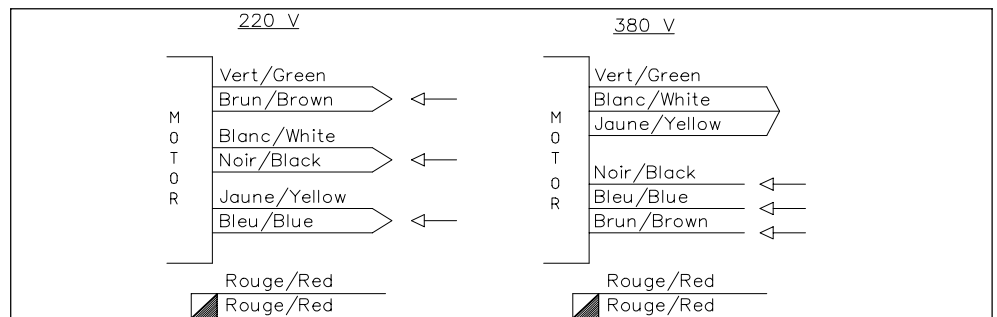
We are constantly working to make our products better and more reliable. Therefore we cannot guarantee data update.  
Therefore, although we put a lot of care in the making of our documentation, we cannot be held responsible for any error and/or omissions that could have slipped in.

### PERFORMANCE CURVES

measured in our laboratory according to AMCA/ASHRAE 210.85 fig.12



### WIRING DIAGRAM



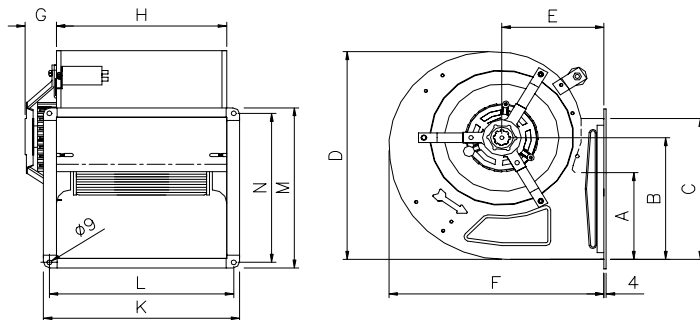
### FAN TECHNICAL DATA

ID CODE	<b>710100</b>
FAN NAME	<b>DD 11-11-14 5/4 BB</b>
SUPPLY	230 V - 50 Hz
MOTOR	5/4 4PO BB (B0024.01)
CAPACITOR	30 $\mu$ F
THERMAL PROTECTION	Incorporated
IP CLASS	20
THERMAL CLASS	B
CONFORMITY	CE
SPEED CONTROL	ESB10

### NOMINAL INSTALLATION DATA

	Pressure (Pa)	Amps (A)	Abs.Power (W)	Max air T°(TM) (°C)
Minimum	250	7,2	1630	50
Maximum	750	4,1	930	65

### DIMENSIONS

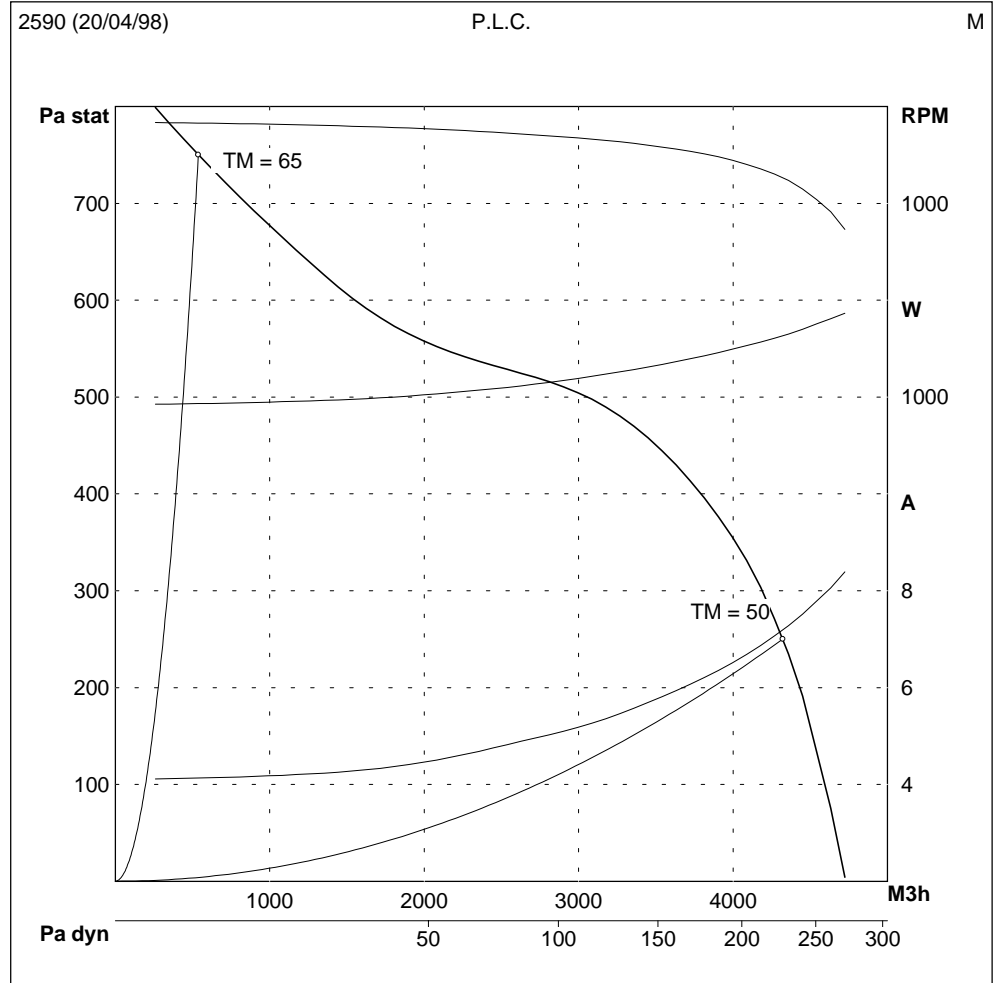


A	B	C	D	E	F	G	H	K	L	M	N
167	262	313	456	193	432	40	370	416	395	350	329

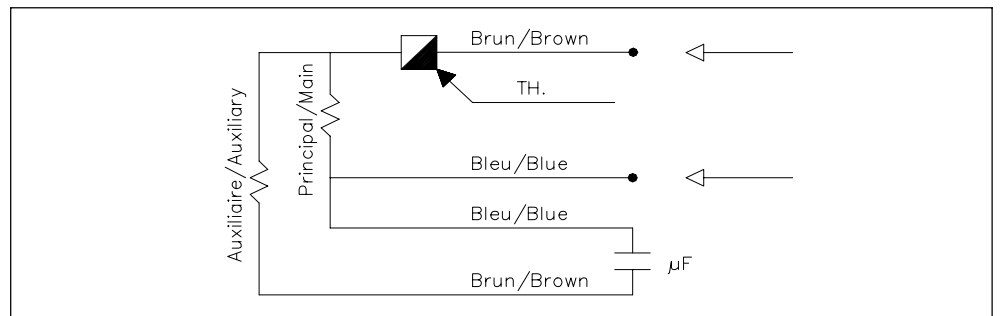
We are constantly working to make our products better and more reliable. Therefore we cannot guarantee data update.  
Therefore, although we put a lot of care in the making of our documentation, we cannot be held responsible for any error and/or omissions that could have slipped in.

### PERFORMANCE CURVES

measured in our laboratory according to AMCA/ASHRAE 210.85 fig.12



### WIRING DIAGRAM



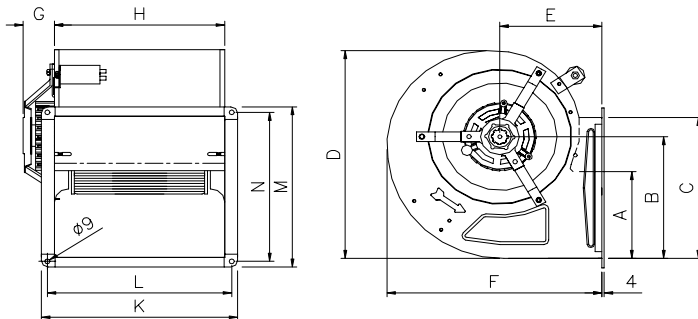
### FAN TECHNICAL DATA

ID CODE	<b>710054</b>
FAN NAME	<b>DD 11-11-9 3/4 BB</b>
SUPPLY	230 V - 50 Hz
MOTOR	3/4 6PO BB (110344.11)
CAPACITOR	14 $\mu$ F
THERMAL PROTECTION	Incorporated
IP CLASS	44
THERMAL CLASS	B
CONFORMITY	CE
SPEED CONTROL	ESB5

### NOMINAL INSTALLATION DATA

	Pressure (Pa)	Amps (A)	Abs.Power (W)	Max air T°(TM) (°C)
Minimum	100	4,2	860	50
Maximum	340	2,8	490	50

### DIMENSIONS

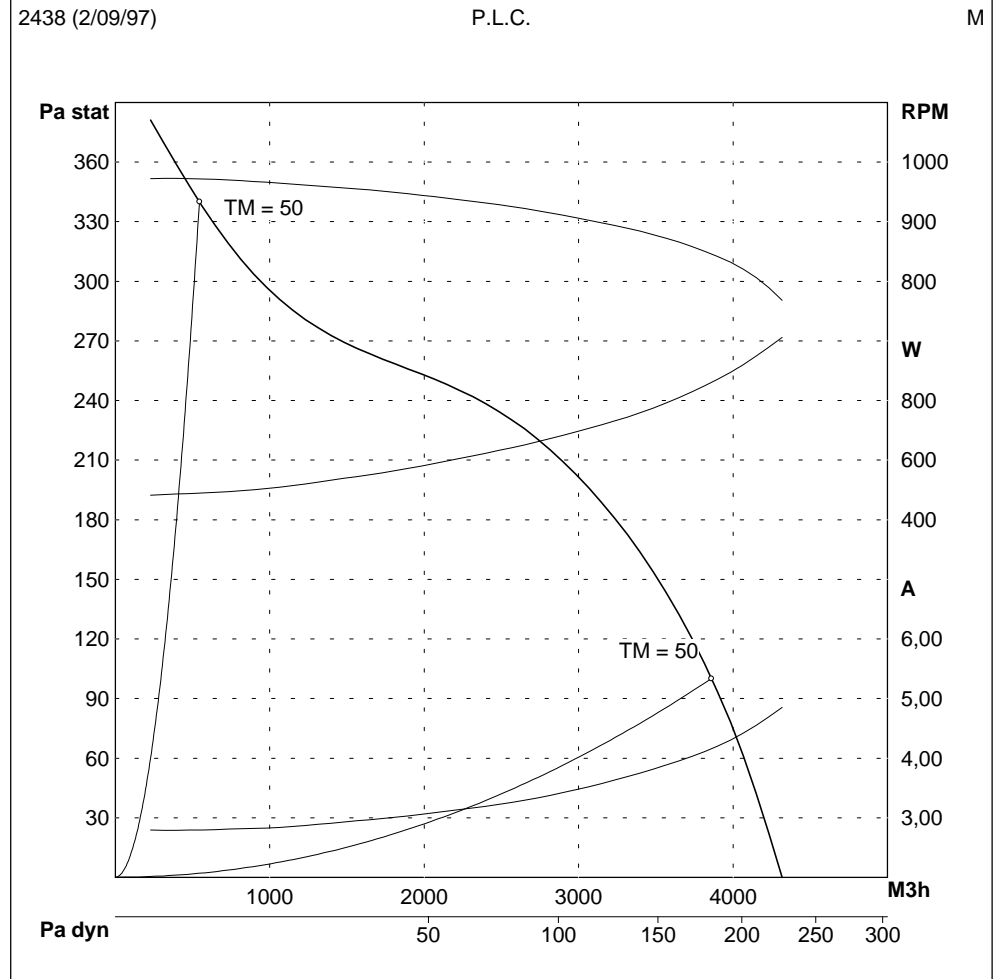


A	B	C	D	E	F	G	H	K	L	M	N
167	262	313	456	193	432	44	370	416	395	350	329

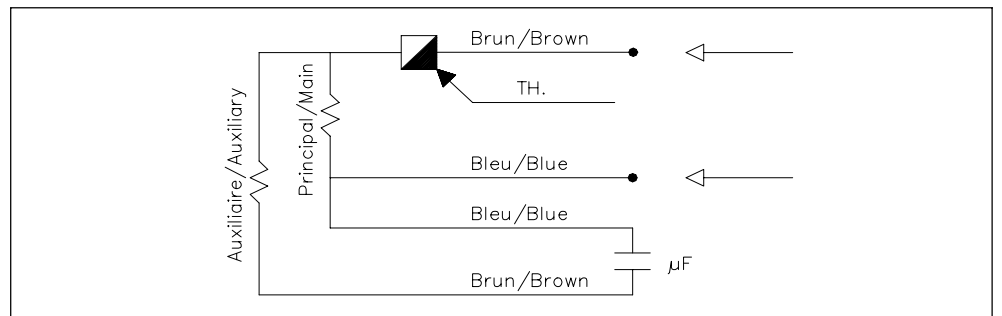
We are constantly working to make our products better and more reliable. Therefore we cannot guarantee data update.  
Therefore, although we put a lot of care in the making of our documentation, we cannot be held responsible for any error and/or omissions that could have slipped in.

### PERFORMANCE CURVES

measured in our laboratory according to AMCA/ASHRAE 210.85 fig.12



### WIRING DIAGRAM



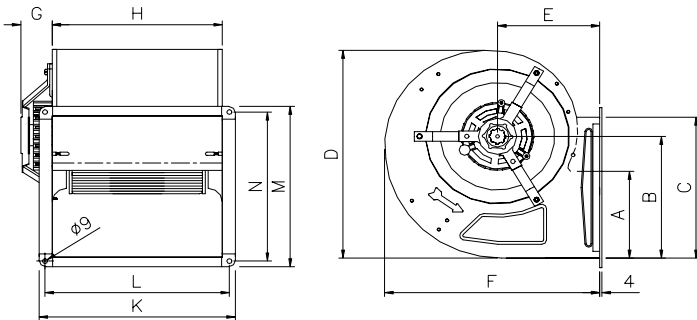
### FAN TECHNICAL DATA

ID CODE	<b>710059</b>
FAN NAME	<b>DD 12-9-9 1/1 T i BB</b>
SUPPLY	3 x 400 V - 50 Hz
MOTOR	1/1 6PO BB T i (B0004.03)
CAPACITOR	-
THERMAL PROTECTION	Incorporated
IP CLASS	44
THERMAL CLASS	B
CONFORMITY	CE
SPEED CONTROL	-

### NOMINAL INSTALLATION DATA

Pressure (Pa)	Amps (A)	Abs.Power (W)	Max air T°(TM) (°C)
Minimum	0	3,06	45
Maximum	370	1,73	55

### DIMENSIONS

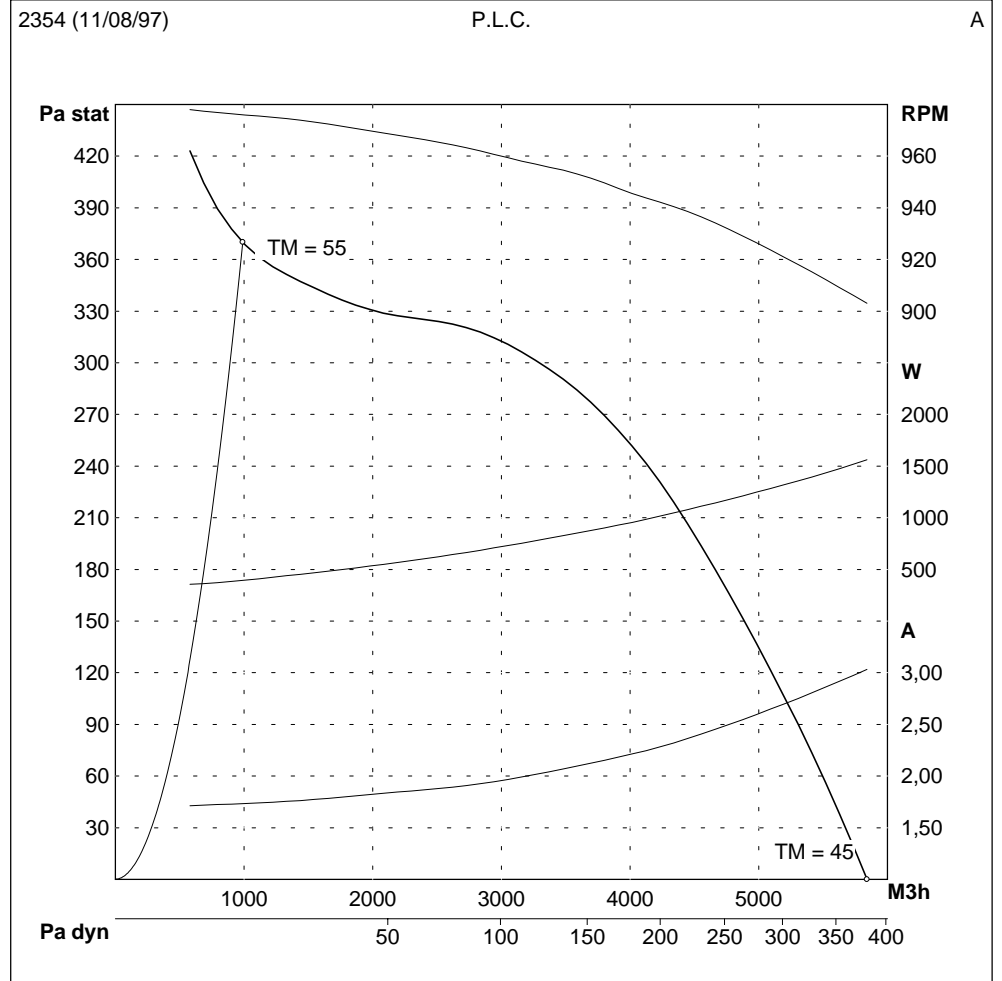


A	B	C	D	E	F	G	H	K	L	M	N
206	292	341	521	230	492	50	313	357	336	378	357

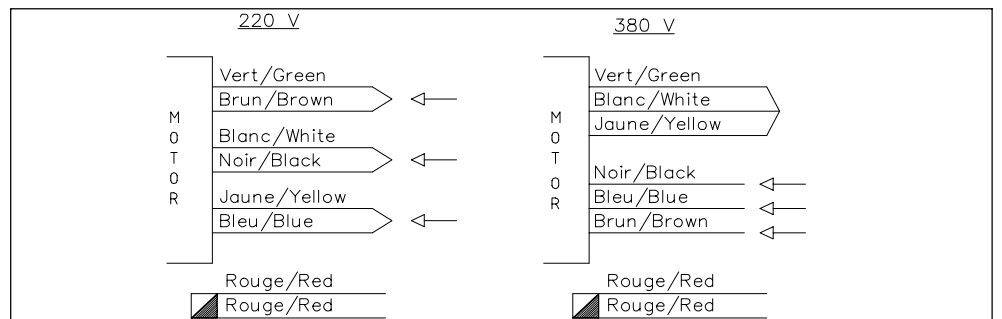
We are constantly working to make our products better and more reliable. Therefore we cannot guarantee data update.  
Therefore, although we put a lot of care in the making of our documentation, we cannot be held responsible for any error and/or omissions that could have slipped in.

### PERFORMANCE CURVES

measured in our laboratory according to AMCA/ASHRAE 210.85 fig.12



### WIRING DIAGRAM



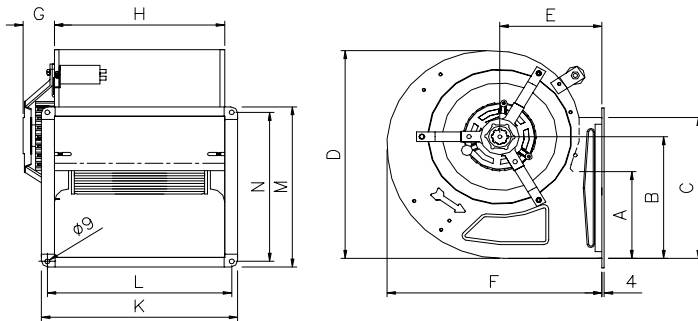
### FAN TECHNICAL DATA

ID CODE	<b>710060</b>
FAN NAME	<b>DD 12-9-9 5/4 BB</b>
SUPPLY	230 V - 50 Hz
MOTOR	5/4 6PO BB (B0074.00)
CAPACITOR	16 $\mu$ F
THERMAL PROTECTION	Incorporated
IP CLASS	44
THERMAL CLASS	F
CONFORMITY	CE
SPEED CONTROL	ESB10

### NOMINAL INSTALLATION DATA

	Pressure (Pa)	Amps (A)	Abs.Power (W)	Max air T°(TM) (°C)
Minimum	100	8,6	1600	60
Maximum	340	6,7	760	65

### DIMENSIONS

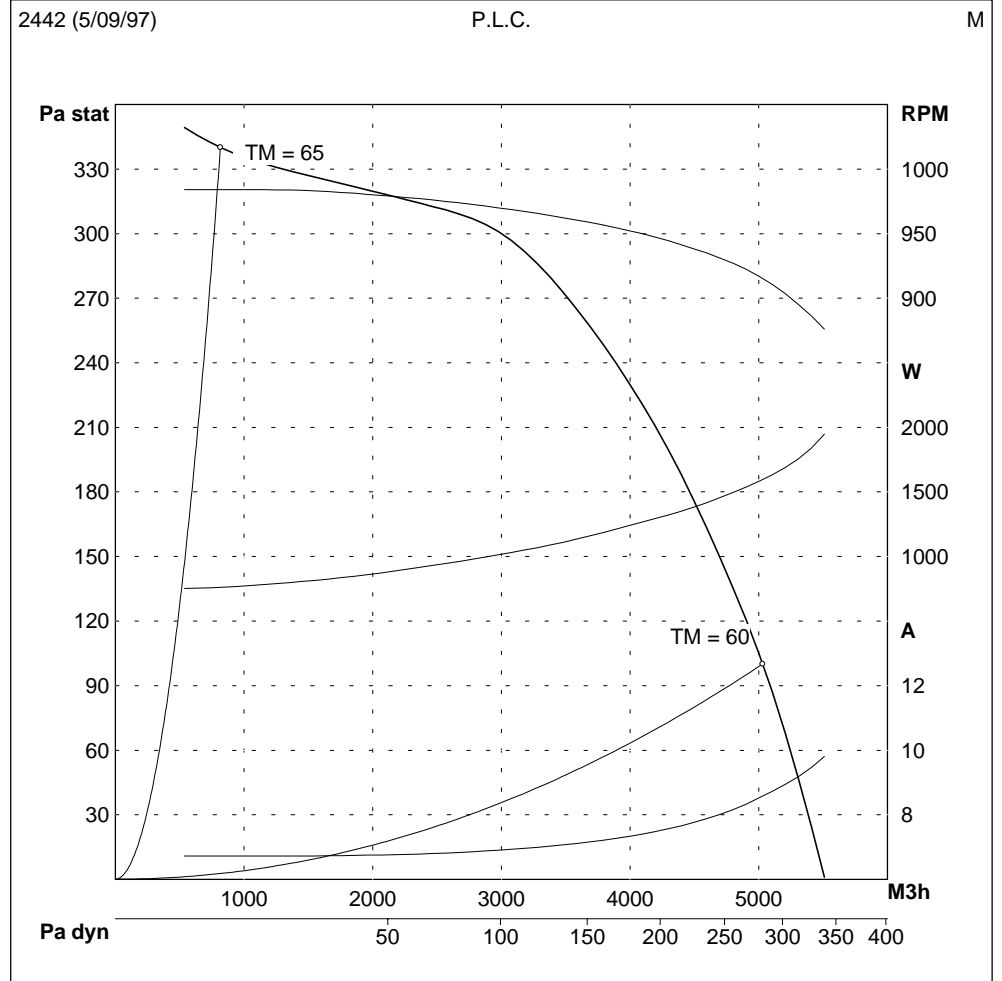


A	B	C	D	E	F	G	H	K	L	M	N
206	292	341	521	230	492	55	313	357	336	378	357

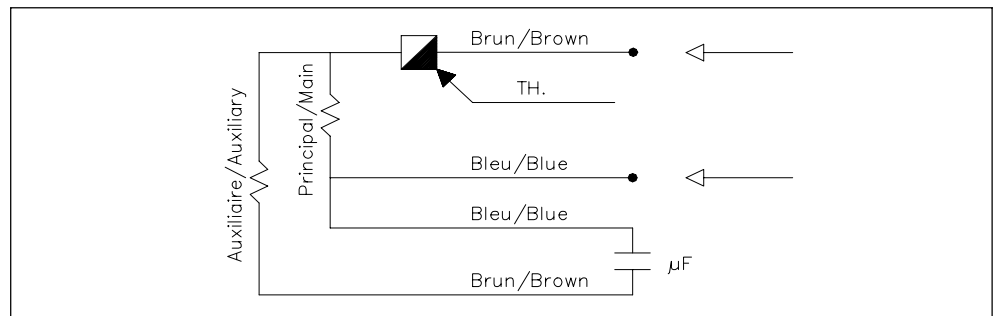
We are constantly working to make our products better and more reliable. Therefore we cannot guarantee data update.  
Therefore, although we put a lot of care in the making of our documentation, we cannot be held responsible for any error and/or omissions that could have slipped in.

### PERFORMANCE CURVES

measured in our laboratory according to AMCA/ASHRAE 210.85 fig.12



### WIRING DIAGRAM





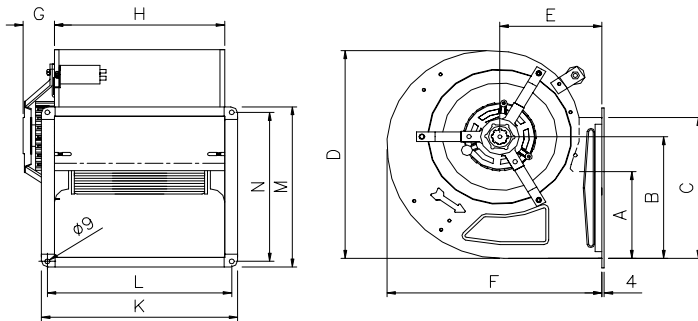
### FAN TECHNICAL DATA

ID CODE	<b>710230</b>
FAN NAME	<b>DD 12-9-9 S 5/4 BB</b>
SUPPLY	230 V - 50 Hz
MOTOR	5/4 6PO BB (B0074.00)
CAPACITOR	20 $\mu$ F
THERMAL PROTECTION	Incorporated
IP CLASS	44
THERMAL CLASS	F
CONFORMITY	CE
SPEED CONTROL	ESB10

### NOMINAL INSTALLATION DATA

	Pressure (Pa)	Amps (A)	Abs.Power (W)	Max air T°(TM) (°C)
Minimum	50	8,6	1680	60
Maximum	315	6,5	960	60

### DIMENSIONS

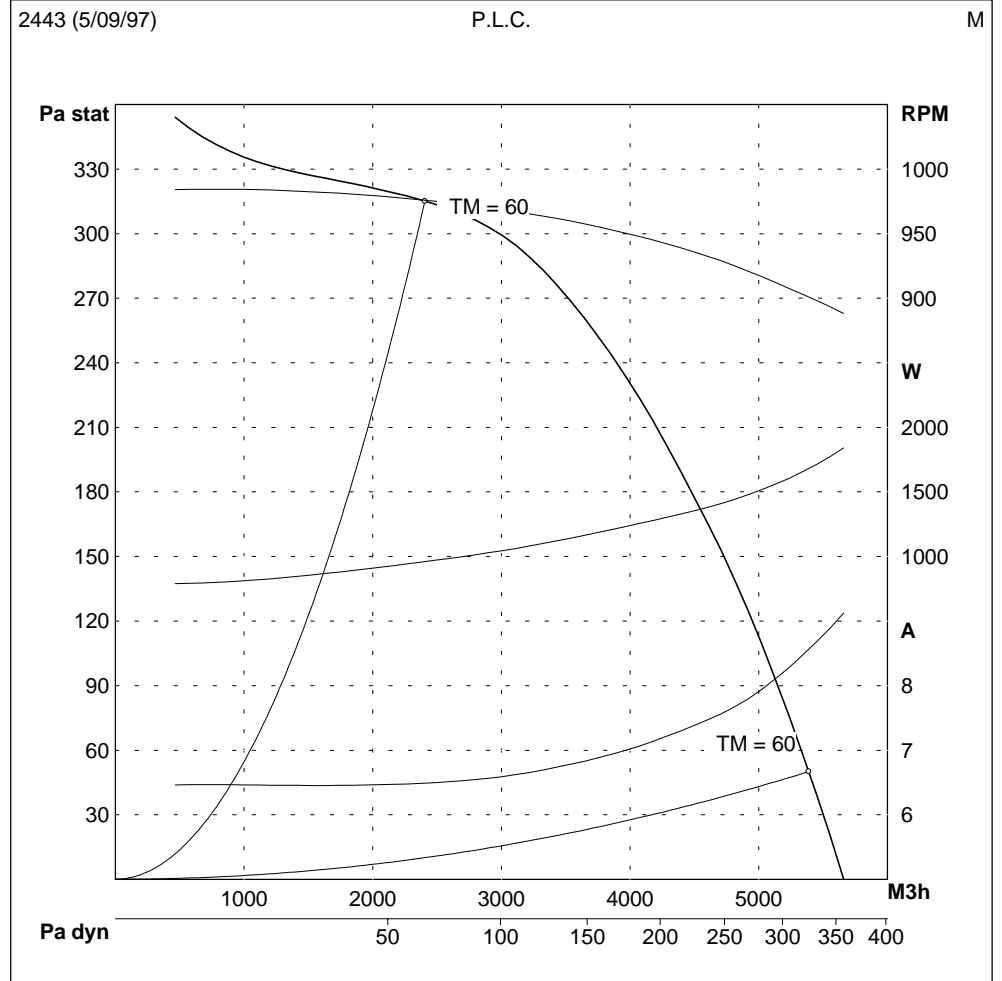


A	B	C	D	E	F	G	H	K	L	M	N
206	292	341	521	230	492	55	313	357	336	378	357

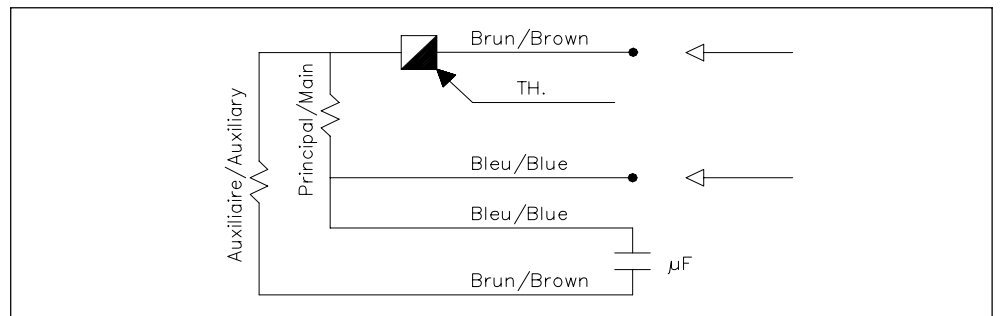
We are constantly working to make our products better and more reliable. Therefore we cannot guarantee data update.  
Therefore, although we put a lot of care in the making of our documentation, we cannot be held responsible for any error and/or omissions that could have slipped in.

### PERFORMANCE CURVES

measured in our laboratory according to AMCA/ASHRAE 210.85 fig.12



### WIRING DIAGRAM



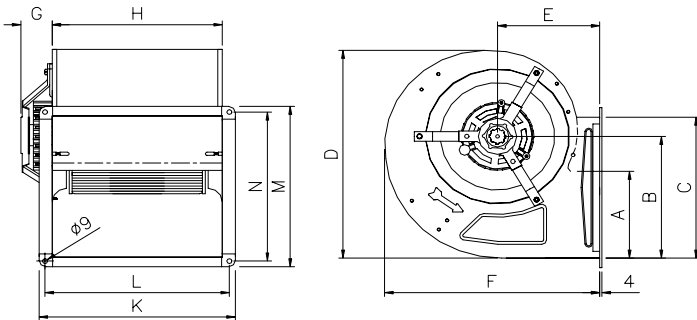
### FAN TECHNICAL DATA

ID CODE	<b>710061</b>
FAN NAME	<b>DD 12-12-9 1/1 T i BB</b>
SUPPLY	3 x 380 V - 50 Hz
MOTOR	1/1 6PO BB T i (B0004.03)
CAPACITOR	-
THERMAL PROTECTION	Incorporated
IP CLASS	44
THERMAL CLASS	B
CONFORMITY	CE
SPEED CONTROL	-

### NOMINAL INSTALLATION DATA

Pressure (Pa)	Amps (A)	Abs.Power (W)	Max air T°(TM) (°C)
Minimum	50	3,4	45
Maximum	350	1,7	55

### DIMENSIONS

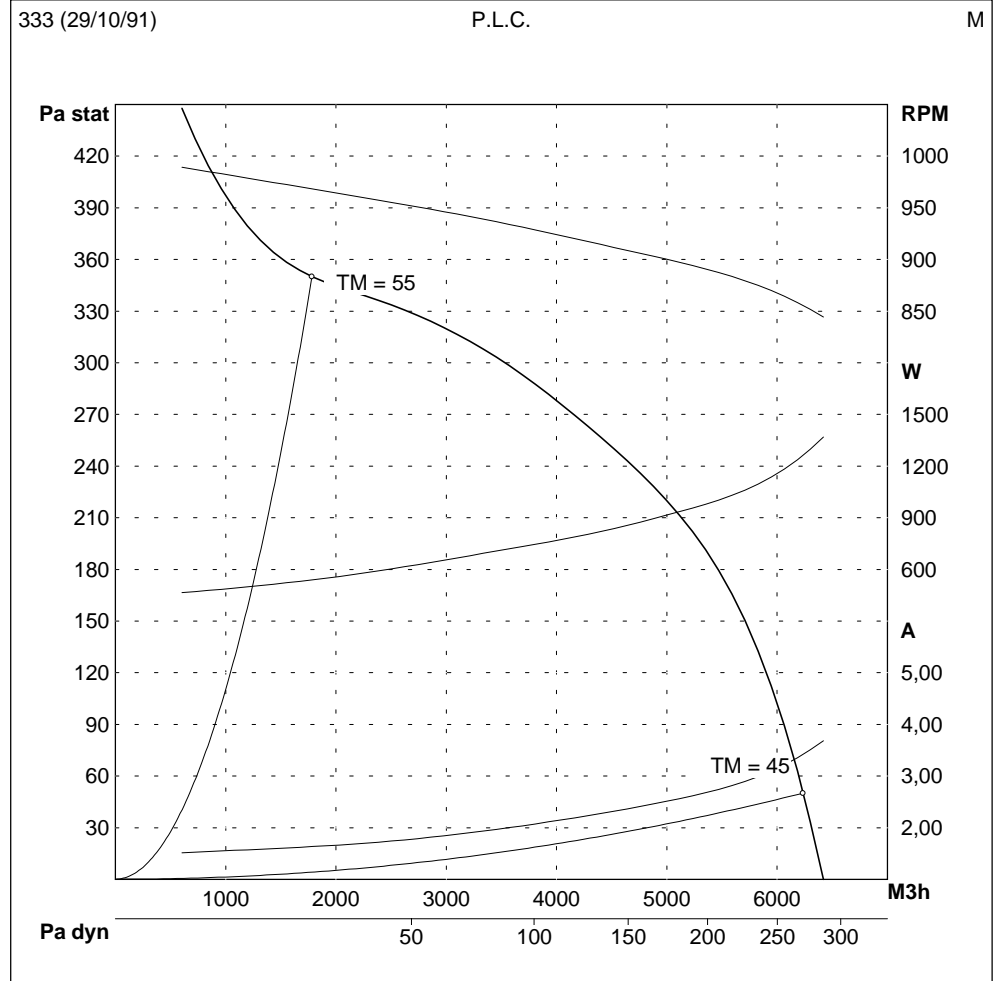


A	B	C	D	E	F	G	H	K	L	M	N
206	292	341	521	230	492	50	397	443	422	378	357

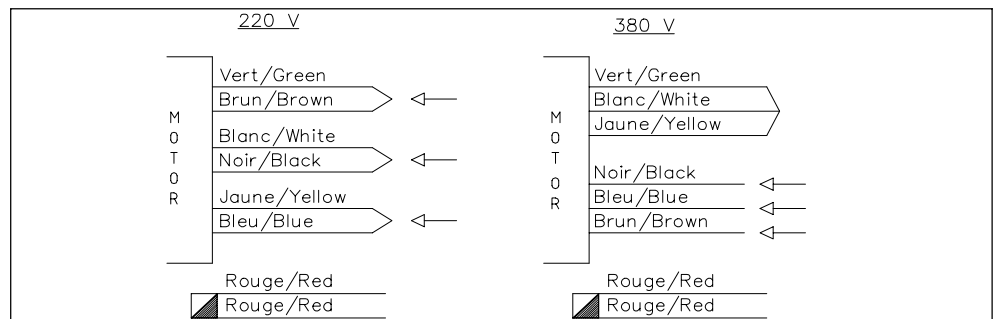
We are constantly working to make our products better and more reliable. Therefore we cannot guarantee data update.  
Therefore, although we put a lot of care in the making of our documentation, we cannot be held responsible for any error and/or omissions that could have slipped in.

### PERFORMANCE CURVES

measured in our laboratory according to AMCA/ASHRAE 210.85 fig.12



### WIRING DIAGRAM



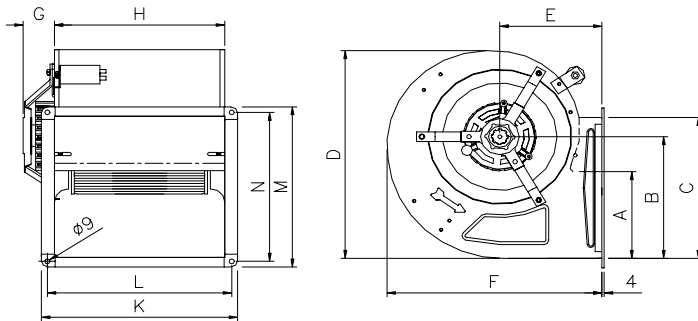
### FAN TECHNICAL DATA

ID CODE	<b>710063</b>
FAN NAME	<b>DD 12-12-9 5/4 BB</b>
SUPPLY	230 V - 50 Hz
MOTOR	5/4 6PO BB (B0074.00)
CAPACITOR	20 $\mu$ F
THERMAL PROTECTION	Incorporated
IP CLASS	44
THERMAL CLASS	F
CONFORMITY	CE
SPEED CONTROL	ESB10

### NOMINAL INSTALLATION DATA

	Pressure (Pa)	Amps (A)	Abs.Power (W)	Max air T°(TM) (°C)
Minimum	150	9,2	1850	60
Maximum	330	6,6	900	60

### DIMENSIONS

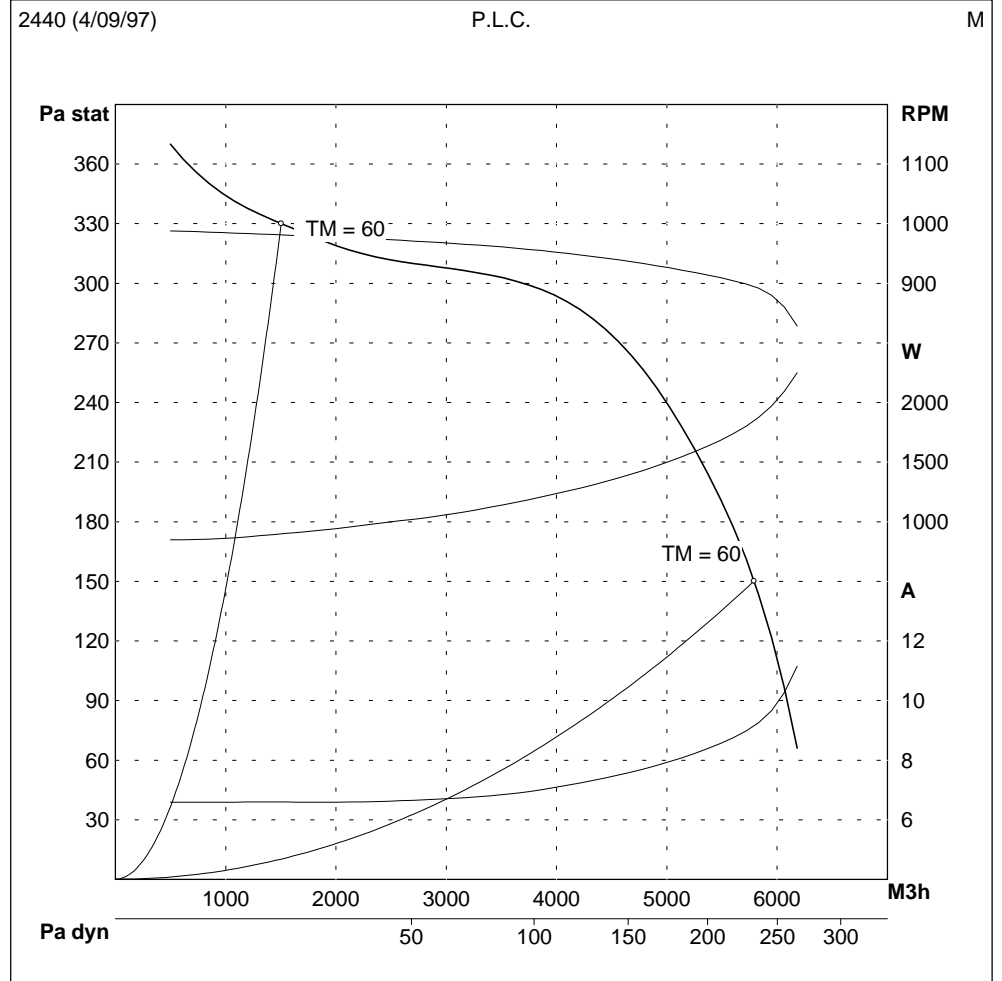


A	B	C	D	E	F	G	H	K	L	M	N
206	292	341	521	230	492	55	397	443	422	378	357

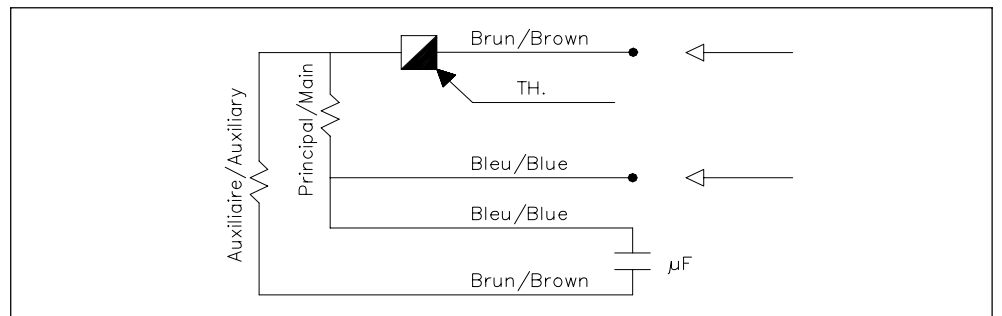
We are constantly working to make our products better and more reliable. Therefore we cannot guarantee data update.  
Therefore, although we put a lot of care in the making of our documentation, we cannot be held responsible for any error and/or omissions that could have slipped in.

### PERFORMANCE CURVES

measured in our laboratory according to AMCA/ASHRAE 210.85 fig.12



### WIRING DIAGRAM



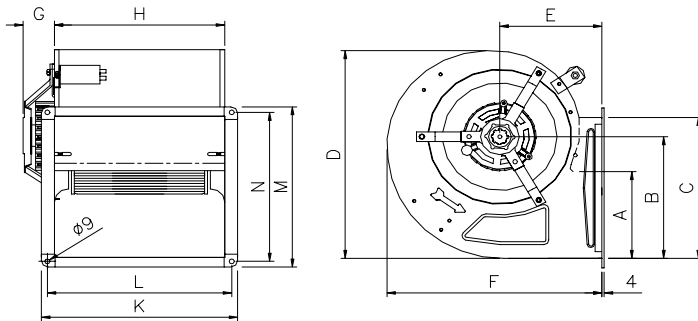
### FAN TECHNICAL DATA

ID CODE	<b>710232</b>
FAN NAME	<b>DD 12-12-9 S 5/4 BB</b>
SUPPLY	230 V - 50 Hz
MOTOR	5/4 6PO BB (B0074.00)
CAPACITOR	25 µF
THERMAL PROTECTION	Incorporated
IP CLASS	44
THERMAL CLASS	F
CONFORMITY	CE
SPEED CONTROL	ESB10

### NOMINAL INSTALLATION DATA

Pressure (Pa)	Amps (A)	Abs.Power (W)	Max air T°(TM) (°C)
Minimum	100	9,6	60
Maximum	280	7,2	60

### DIMENSIONS

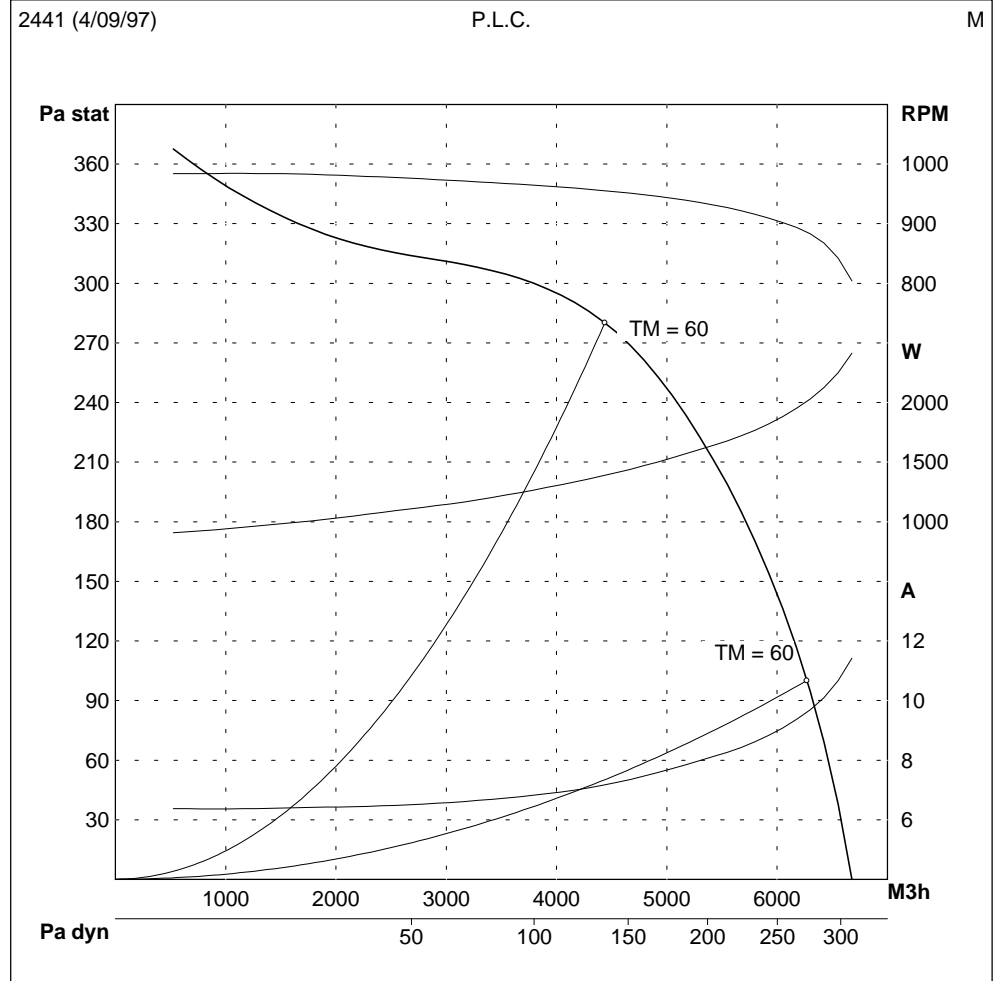


A	B	C	D	E	F	G	H	K	L	M	N
206	292	341	521	230	492	55	397	443	422	378	357

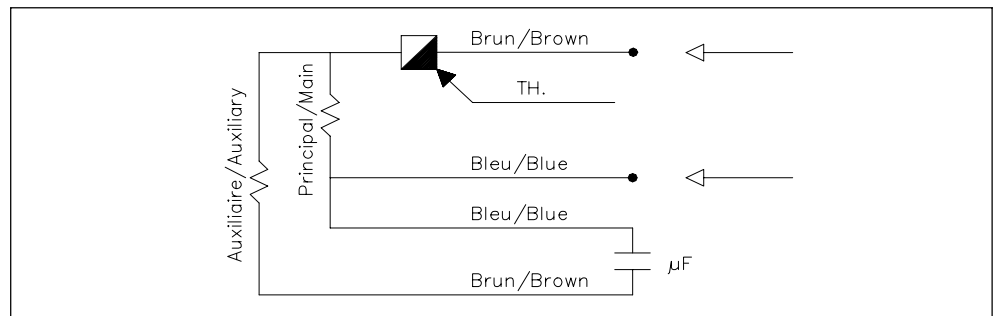
We are constantly working to make our products better and more reliable. Therefore we cannot guarantee data update.  
Therefore, although we put a lot of care in the making of our documentation, we cannot be held responsible for any error and/or omissions that could have slipped in.

### PERFORMANCE CURVES

measured in our laboratory according to AMCA/ASHRAE 210.85 fig.12



### WIRING DIAGRAM



### FAN TECHNICAL DATA

ID CODE	<b>750021</b>
FAN NAME	<b>DF 280-114-14 P 1/2 BB</b>
SUPPLY	230 V - 50 Hz
MOTOR	1/2 4PO BB (110619.00)
CAPACITOR	10 µF
THERMAL PROTECTION	Incorporated
IP CLASS	44
THERMAL CLASS	B
CONFORMITY	CE
SPEED CONTROL	ESB5

### NOMINAL INSTALLATION DATA

	Pressure (Pa)	Amps (A)	Abs.Power (W)	Max air T°(TM) (°C)
Minimum	100	3,4	740	50
Maximum	345	2	340	50

### DIMENSIONS

See specific drawing

A	B	C	D	E	F	G	H	K	L	M	N
0	0	0	0	0	0	80	0	0	0	0	0

We are constantly working to make our products better and more reliable. Therefore we cannot guarantee data update.  
Therefore, although we put a lot of care in the making of our documentation, we cannot be held responsible for any error and/or omissions that could have slipped in.

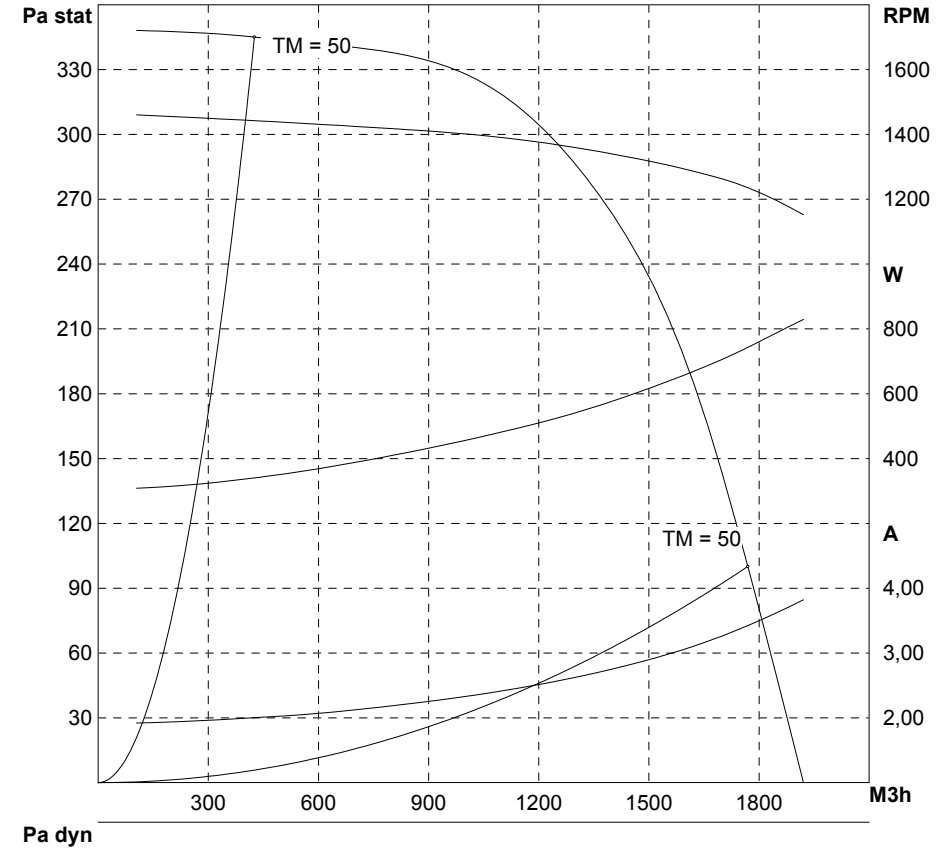
### PERFORMANCE CURVES

measured in our laboratory according to AMCA/ASHRAE 210.85 fig.12

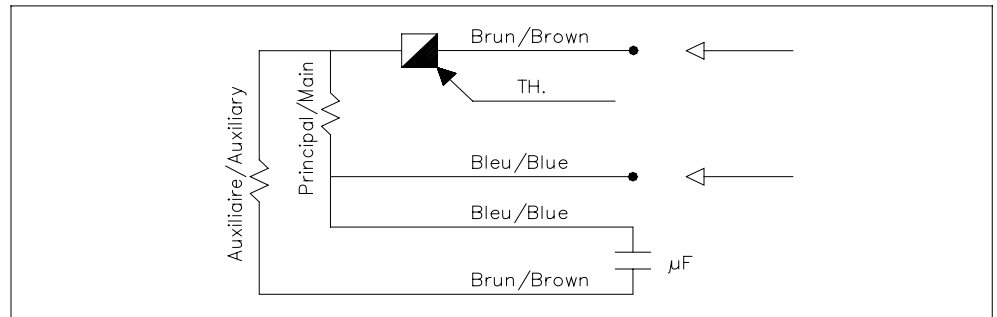
6848 (10/04/2003)

P.L.C.

C



### WIRING DIAGRAM



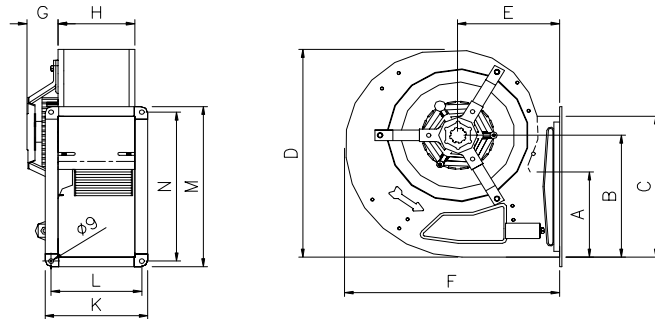
### FAN TECHNICAL DATA

ID CODE	<b>750011</b>
FAN NAME	<b>DS 7-3-14 1/16 BB</b>
SUPPLY	230 V - 50 Hz
MOTOR	1/16 4PO BB (C0014.00)
CAPACITOR	3 $\mu$ F
THERMAL PROTECTION	Incorporated
IP CLASS	44
THERMAL CLASS	B
CONFORMITY	CE
SPEED CONTROL	ES3

### NOMINAL INSTALLATION DATA

	Pressure (Pa)	Amps (A)	Abs.Power (W)	Max air T°(TM) (°C)
Minimum	0	0,66	146	60
Maximum	200	0,45	83	60

### DIMENSIONS

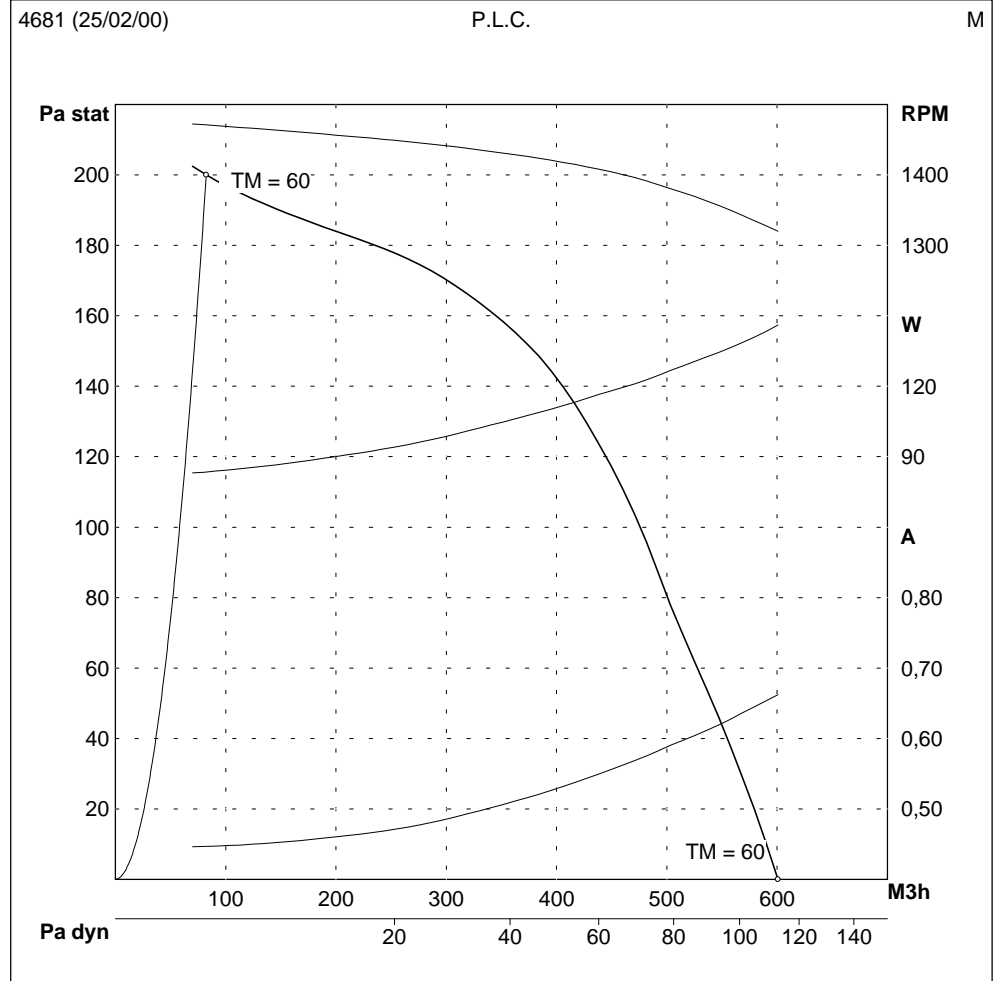


A	B	C	D	E	F	G	H	K	L	M	N
106	164	210	291	125	270	37	115	161	140	246	225

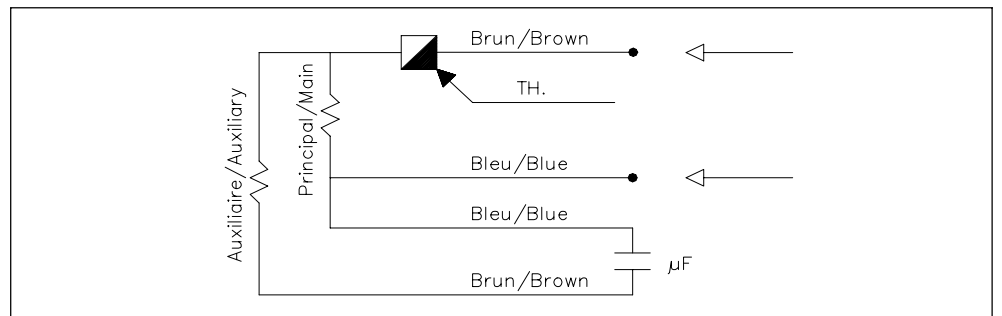
We are constantly working to make our products better and more reliable. Therefore we cannot guarantee data update.  
Therefore, although we put a lot of care in the making of our documentation, we cannot be held responsible for any error and/or omissions that could have slipped in.

### PERFORMANCE CURVES

measured in our laboratory according to AMCA/ASHRAE 210.85 fig.12



### WIRING DIAGRAM



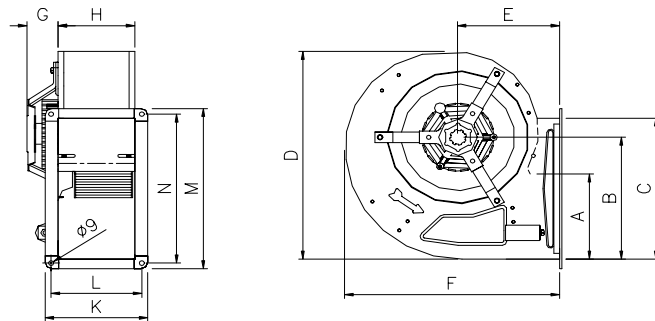
### FAN TECHNICAL DATA

ID CODE	<b>750012</b>
FAN NAME	<b>DS 8-4-14 1/8 BB</b>
SUPPLY	230 V - 50 Hz
MOTOR	1/8 4PO BB (C0009.31)
CAPACITOR	4 $\mu$ F
THERMAL PROTECTION	Incorporated
IP CLASS	44
THERMAL CLASS	B
CONFORMITY	CE
SPEED CONTROL	ES3

### NOMINAL INSTALLATION DATA

Pressure (Pa)	Amps (A)	Abs.Power (W)	Max air T°(TM) (°C)
Minimum	0	1,2	60
Maximum	215	0,93	65

### DIMENSIONS

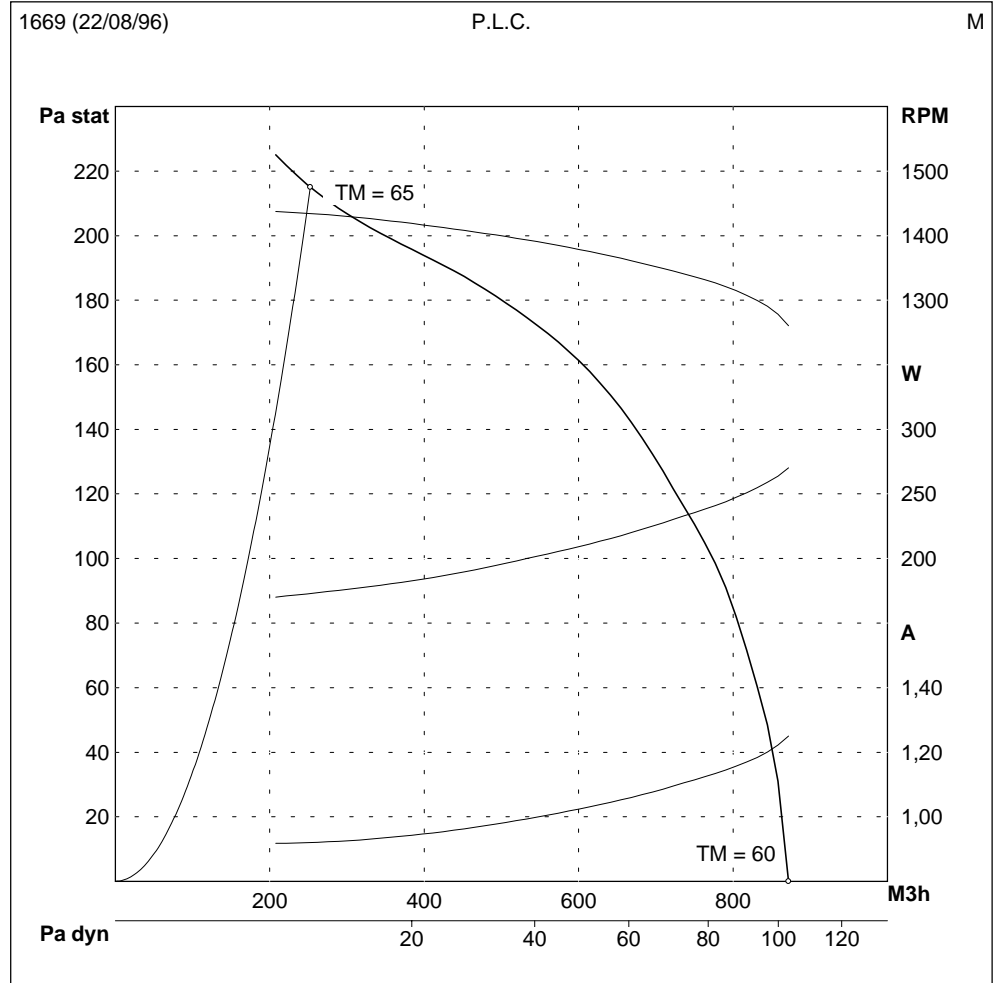


A	B	C	D	E	F	G	H	K	L	M	N
137	200	203	325	145	292	47	135	181	160	238	217

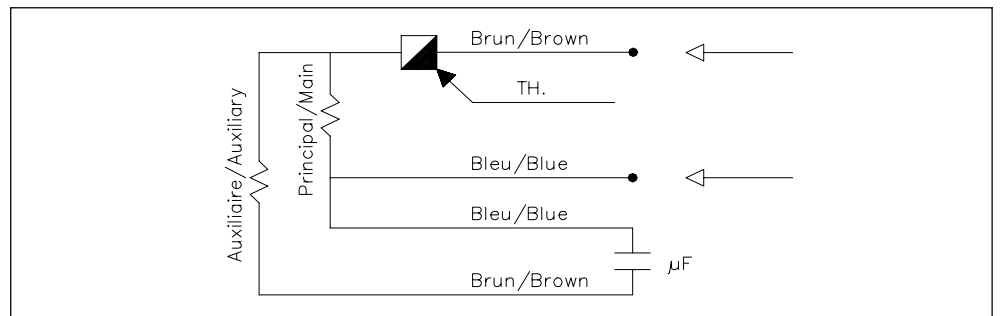
We are constantly working to make our products better and more reliable. Therefore we cannot guarantee data update.  
Therefore, although we put a lot of care in the making of our documentation, we cannot be held responsible for any error and/or omissions that could have slipped in.

### PERFORMANCE CURVES

measured in our laboratory according to AMCA/ASHRAE 210.85 fig.12



### WIRING DIAGRAM



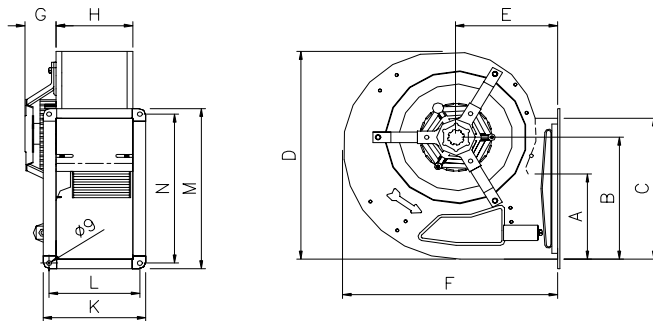
### FAN TECHNICAL DATA

ID CODE	<b>750013</b>
FAN NAME	<b>DS 10-4-14 1/2 BB</b>
SUPPLY	230 V - 50 Hz
MOTOR	1/2 4PO BB (110619.00)
CAPACITOR	8 $\mu$ F
THERMAL PROTECTION	Incorporated
IP CLASS	44
THERMAL CLASS	B
CONFORMITY	CE
SPEED CONTROL	ESB5

### NOMINAL INSTALLATION DATA

Pressure (Pa)	Amps (A)	Abs.Power (W)	Max air T°(TM) (°C)
Minimum	0	3,2	65
Maximum	430	2	65

### DIMENSIONS

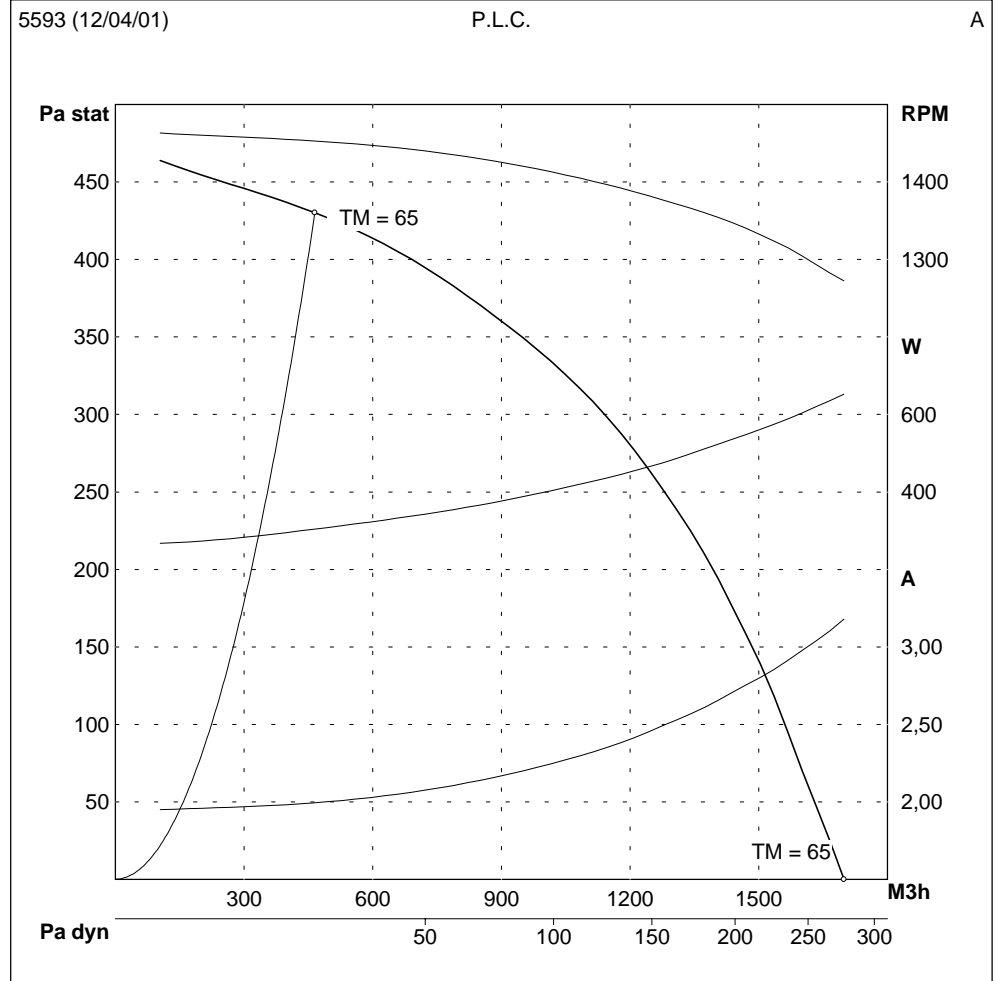


A	B	C	D	E	F	G	H	K	L	M	N
163	229	265	391	180	379	85	135	181	160	301	280

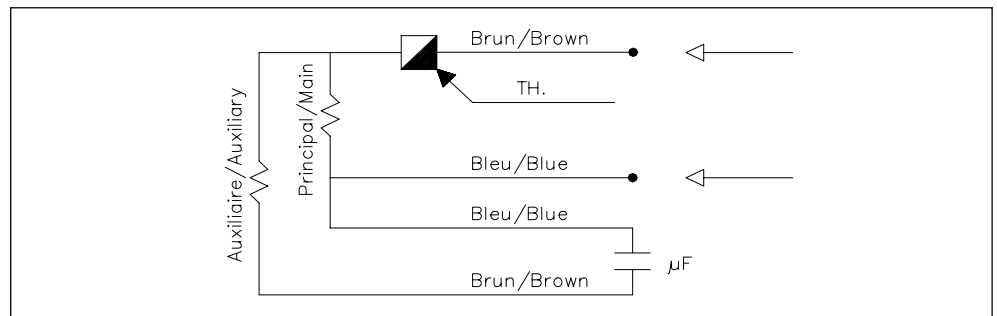
We are constantly working to make our products better and more reliable. Therefore we cannot guarantee data update.  
Therefore, although we put a lot of care in the making of our documentation, we cannot be held responsible for any error and/or omissions that could have slipped in.

### PERFORMANCE CURVES

measured in our laboratory according to AMCA/ASHRAE 210.85 fig.12



### WIRING DIAGRAM





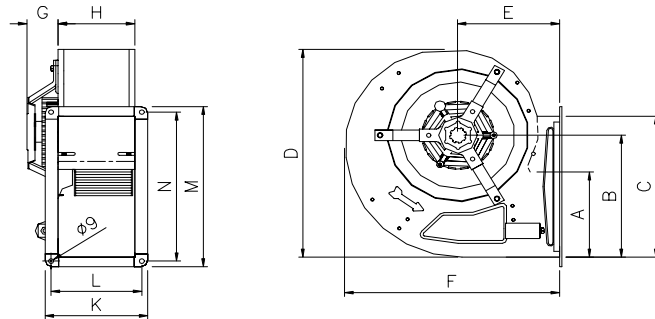
### FAN TECHNICAL DATA

ID CODE	<b>750002</b>
FAN NAME	<b>DS 10-4-9 1/6 BB</b>
SUPPLY	230 V - 50 Hz
MOTOR	1/6 6PO BB (110173.04)
CAPACITOR	4 $\mu$ F
THERMAL PROTECTION	Incorporated
IP CLASS	44
THERMAL CLASS	B
CONFORMITY	CE
SPEED CONTROL	ES3

### NOMINAL INSTALLATION DATA

Pressure (Pa)	Amps (A)	Abs.Power (W)	Max air T°(TM) (°C)
Minimum	0	1,2	65
Maximum	190	0,73	65

### DIMENSIONS

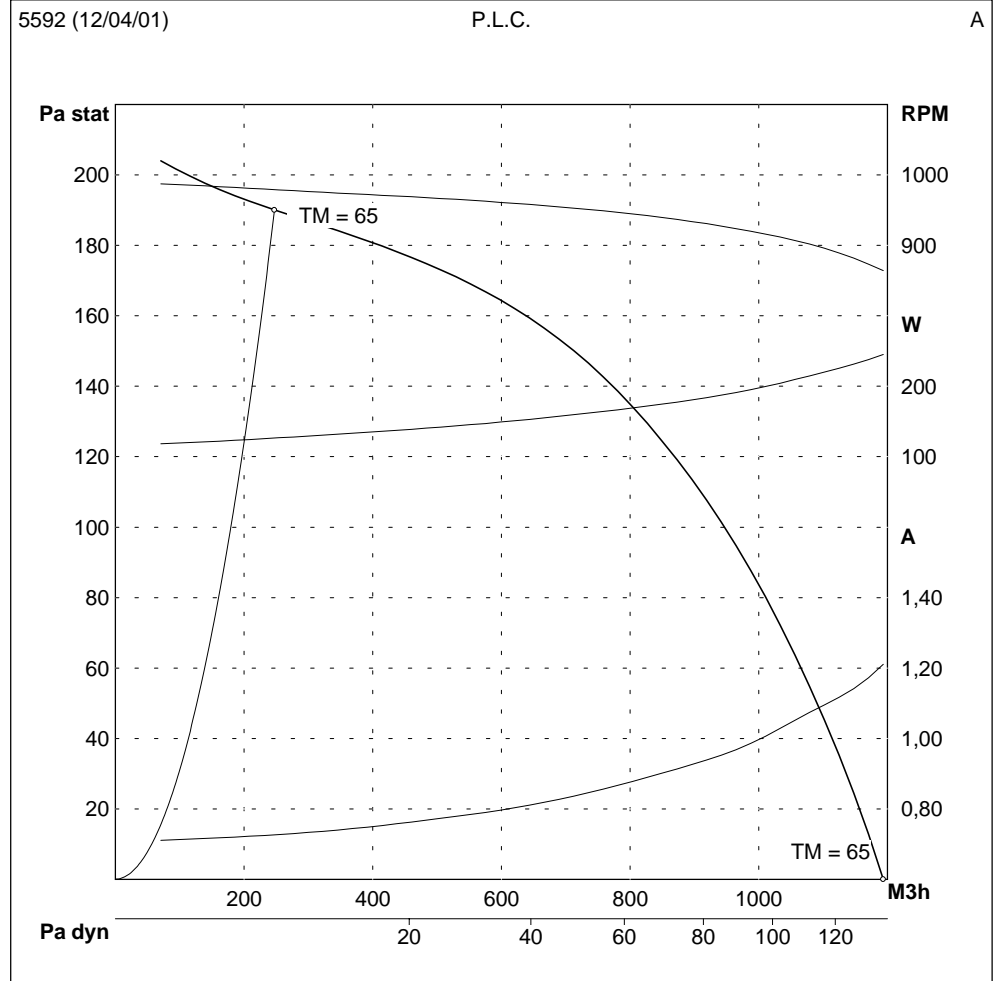


A	B	C	D	E	F	G	H	K	L	M	N
163	229	265	391	180	379	62	135	181	160	301	280

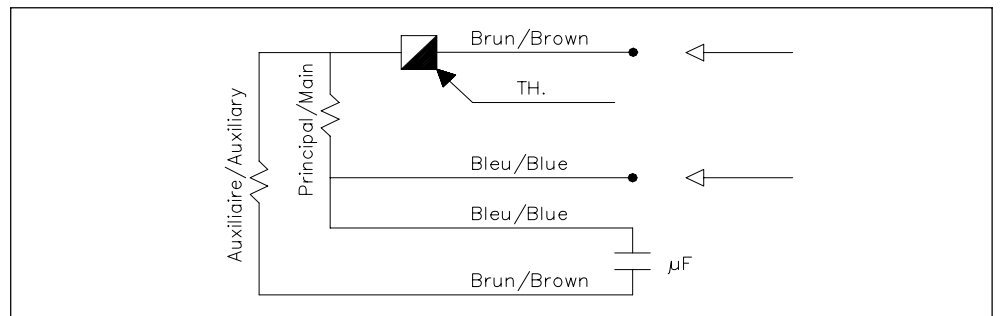
We are constantly working to make our products better and more reliable. Therefore we cannot guarantee data update.  
Therefore, although we put a lot of care in the making of our documentation, we cannot be held responsible for any error and/or omissions that could have slipped in.

### PERFORMANCE CURVES

measured in our laboratory according to AMCA/ASHRAE 210.85 fig.12



### WIRING DIAGRAM



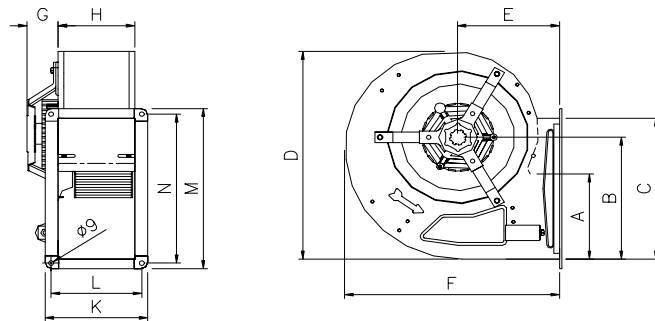
### FAN TECHNICAL DATA

ID CODE	<b>750014</b>
FAN NAME	<b>DS 11-4-14 5/8 BB</b>
SUPPLY	230 V - 50 Hz
MOTOR	5/8 4PO BB (110164.21)
CAPACITOR	12,5 µF
THERMAL PROTECTION	Incorporated
IP CLASS	44
THERMAL CLASS	B
CONFORMITY	CE
SPEED CONTROL	ESB10

### NOMINAL INSTALLATION DATA

Pressure (Pa)	Amps (A)	Abs.Power (W)	Max air T°(TM) (°C)
Minimum	0	5,3	60
Maximum	570	2,6	65

### DIMENSIONS

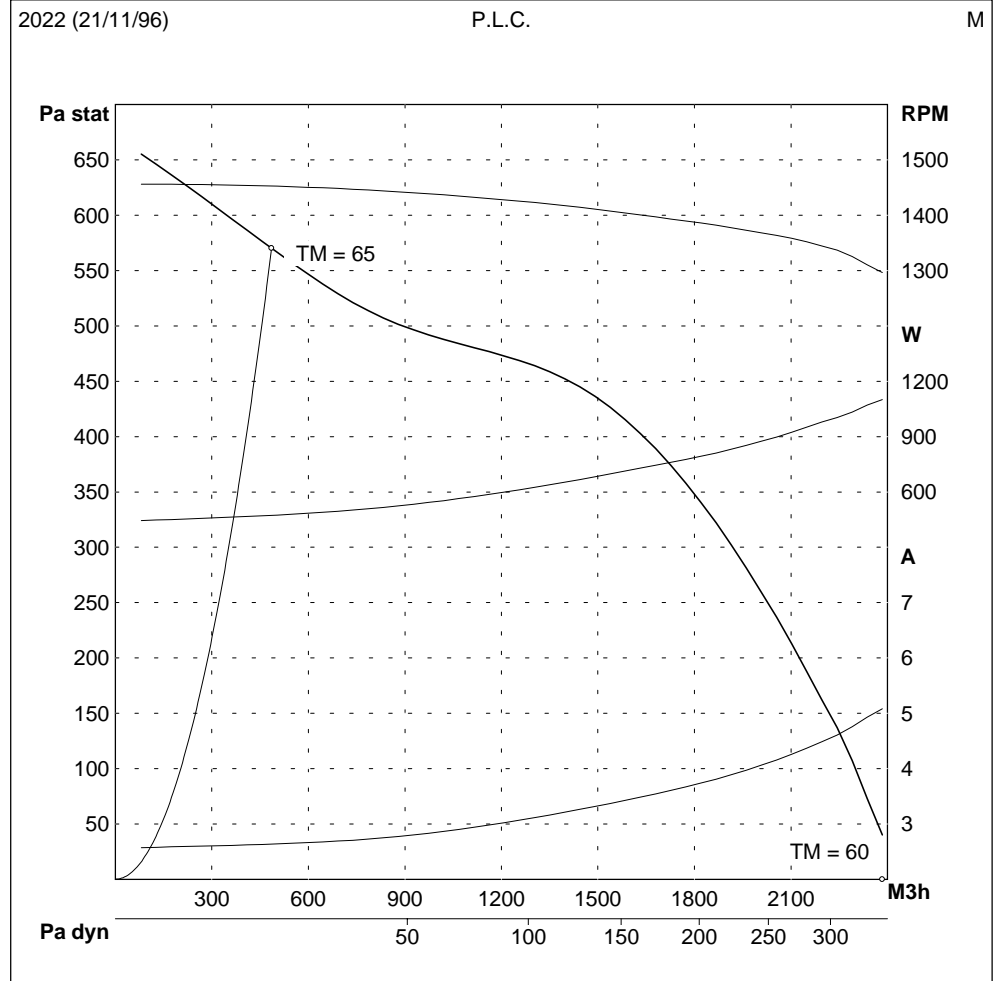


A	B	C	D	E	F	G	H	K	L	M	N
175	258	295	441	191	422	86	158	204	183	331	310

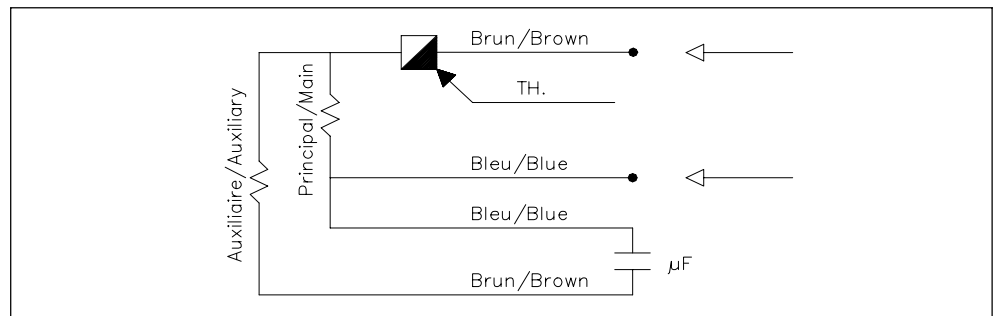
We are constantly working to make our products better and more reliable. Therefore we cannot guarantee data update.  
Therefore, although we put a lot of care in the making of our documentation, we cannot be held responsible for any error and/or omissions that could have slipped in.

### PERFORMANCE CURVES

measured in our laboratory according to AMCA/ASHRAE 210.85 fig.12



### WIRING DIAGRAM



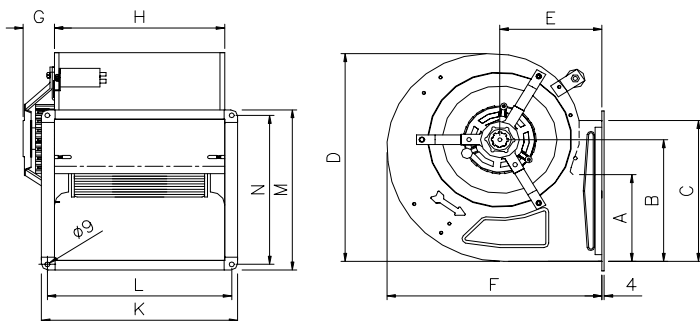
### FAN TECHNICAL DATA

ID CODE	<b>750005</b>
FAN NAME	<b>DS 11-4-9 1/3 BB</b>
SUPPLY	230 V - 50 Hz
MOTOR	1/3 6PO BB (110517.04)
CAPACITOR	8 $\mu$ F
THERMAL PROTECTION	Incorporated
IP CLASS	44
THERMAL CLASS	F
CONFORMITY	CE
SPEED CONTROL	ES3

### NOMINAL INSTALLATION DATA

Pressure (Pa)	Amps (A)	Abs.Power (W)	Max air T°(TM) (°C)
Minimum	0	2,3	60
Maximum	215	1,8	60

### DIMENSIONS

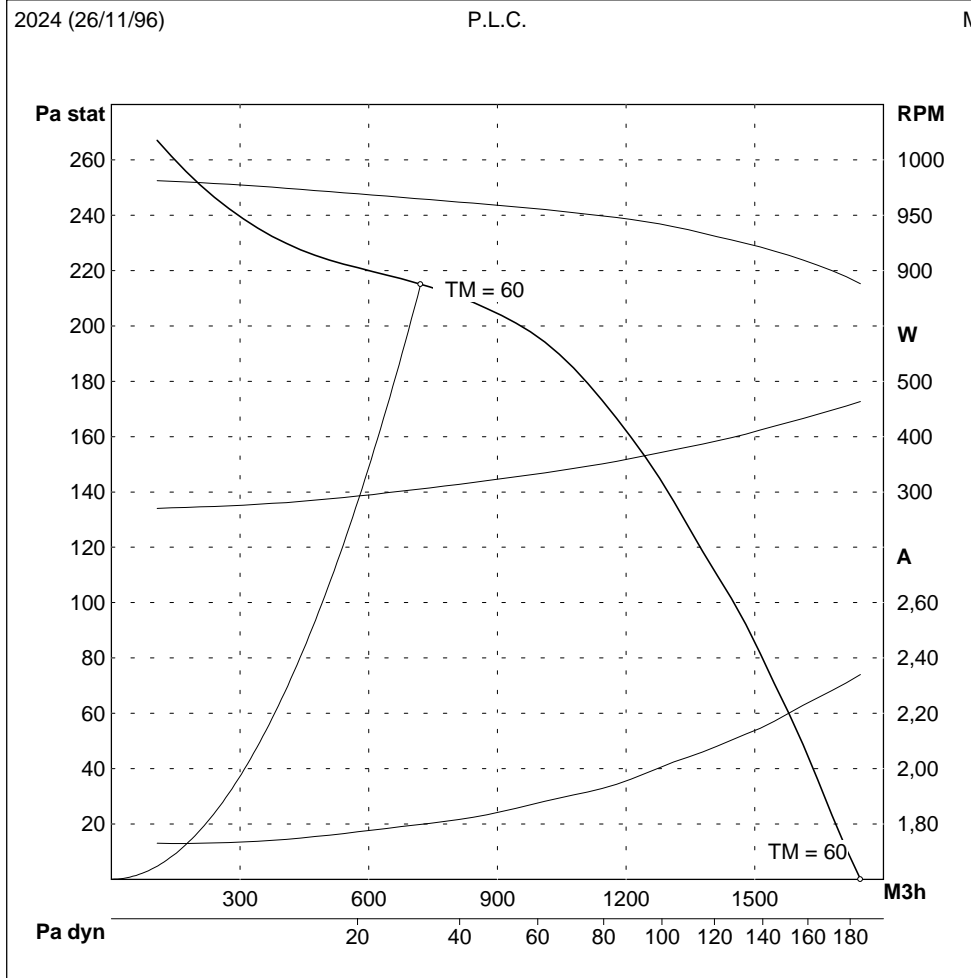


A	B	C	D	E	F	G	H	K	L	M	N
175	258	295	441	191	422	72	158	204	183	331	310

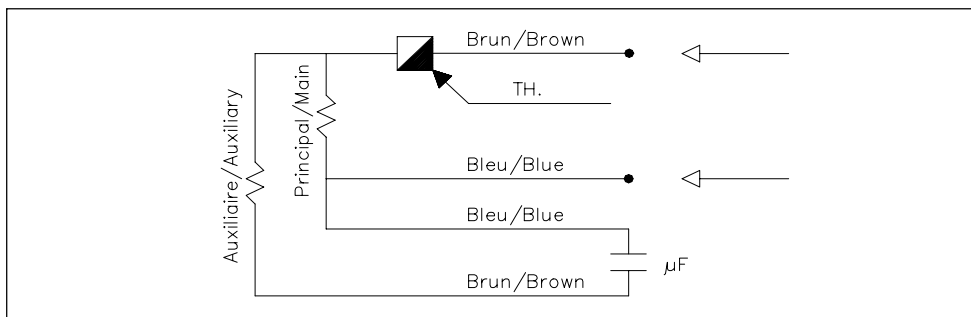
We are constantly working to make our products better and more reliable. Therefore we cannot guarantee data update.  
Therefore, although we put a lot of care in the making of our documentation, we cannot be held responsible for any error and/or omissions that could have slipped in.

### PERFORMANCE CURVES

measured in our laboratory according to AMCA/ASHRAE 210.85 fig.12



### WIRING DIAGRAM



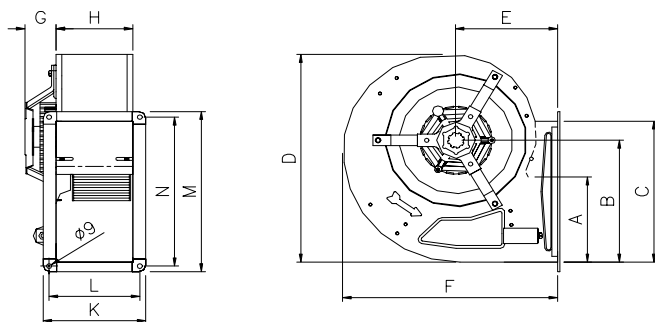
## FAN TECHNICAL DATA

ID CODE	<b>750020</b>
FAN NAME	<b>DS 12-5-14 3/4 BB</b>
SUPPLY	230 V - 50 Hz
MOTOR	3/4 4PO BB (B0048.05)
CAPACITOR	20 $\mu$ F
THERMAL PROTECTION	Incorporated
IP CLASS	44
THERMAL CLASS	F
CONFORMITY	CE
SPEED CONTROL	ESB10

## NOMINAL INSTALLATION DATA

	Pressure (Pa)	Amps (A)	Abs.Power (W)	Max air T°(TM) (°C)
Minimum	200	7,7	1690	65
Maximum	710	3,3	700	65

## DIMENSIONS

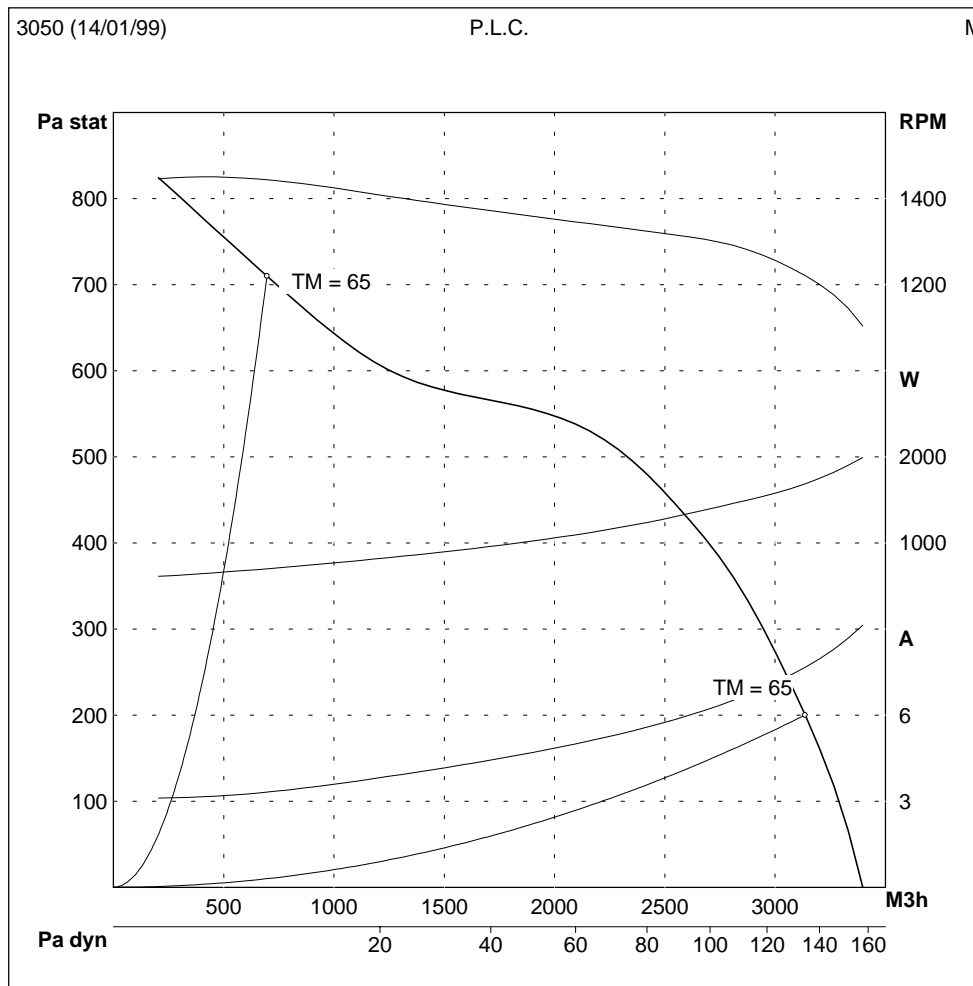


A	B	C	D	E	F	G	H	K	L	M	N
175	258	295	441	191	422	65	333	379	358	331	310

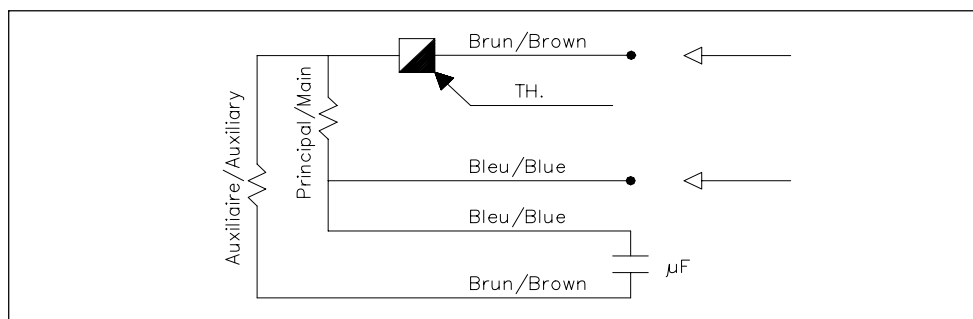
We are constantly working to make our products better and more reliable. Therefore we cannot guarantee data update.  
Therefore, although we put a lot of care in the making of our documentation, we cannot be held responsible for any error and/or omissions that could have slipped in.

## PERFORMANCE CURVES

measured in our laboratory according to AMCA/ASHRAE 210.85 fig.12



## WIRING DIAGRAM



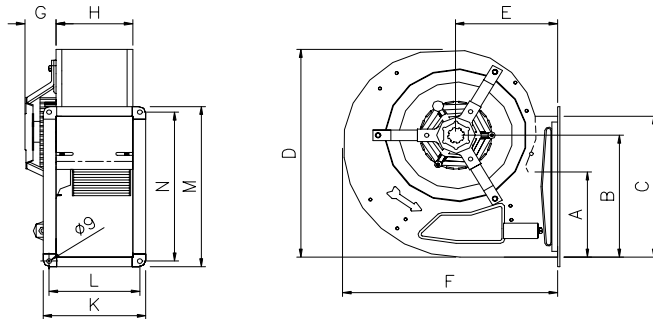
### FAN TECHNICAL DATA

ID CODE	<b>750009</b>
FAN NAME	<b>DS 12-5-9 3/4 BB</b>
SUPPLY	230 V - 50 Hz
MOTOR	3/4 6PO BB (110344.11)
CAPACITOR	12,5 µF
THERMAL PROTECTION	Incorporated
IP CLASS	44
THERMAL CLASS	B
CONFORMITY	CE
SPEED CONTROL	ESB5

### NOMINAL INSTALLATION DATA

	Pressure (Pa)	Amps (A)	Abs.Power (W)	Max air T°(TM) (°C)
Minimum	50	4,1	830	50
Maximum	350	2,7	430	50

### DIMENSIONS

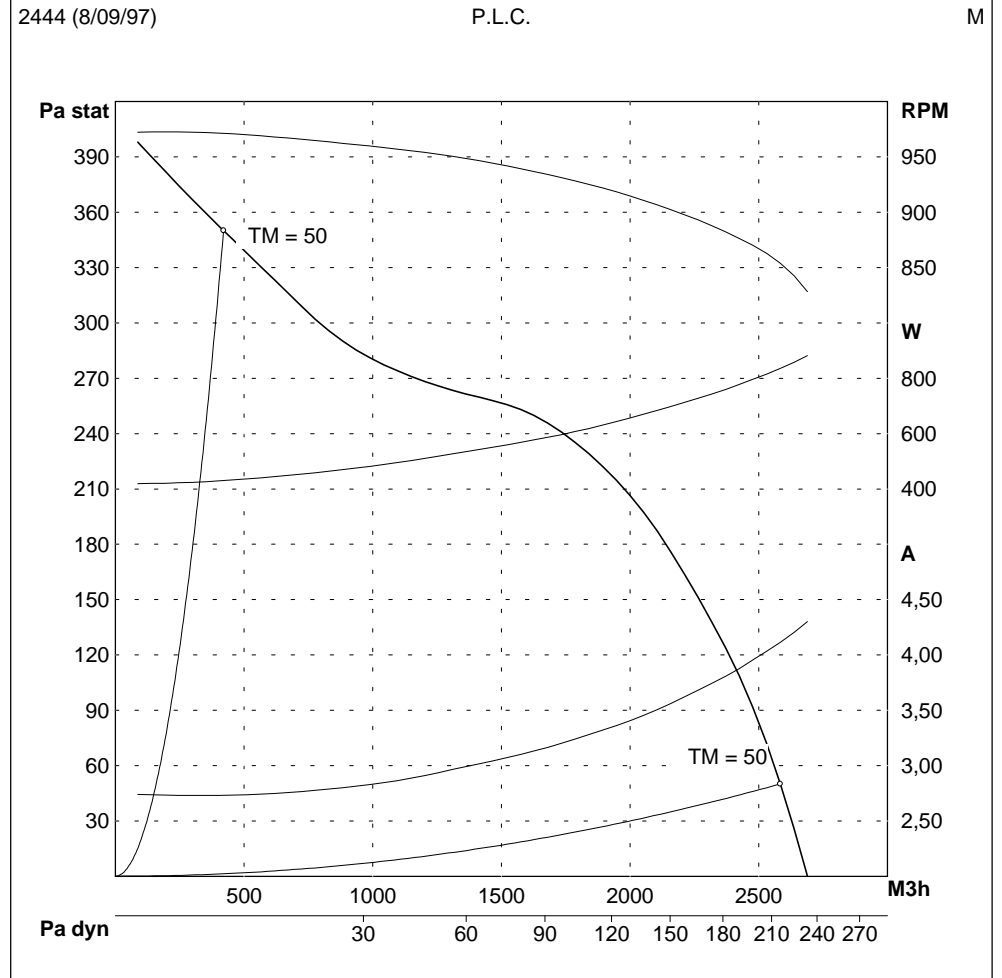


A	B	C	D	E	F	G	H	K	L	M	N
206	312	342	521	233	490	86	184	230	209	378	357

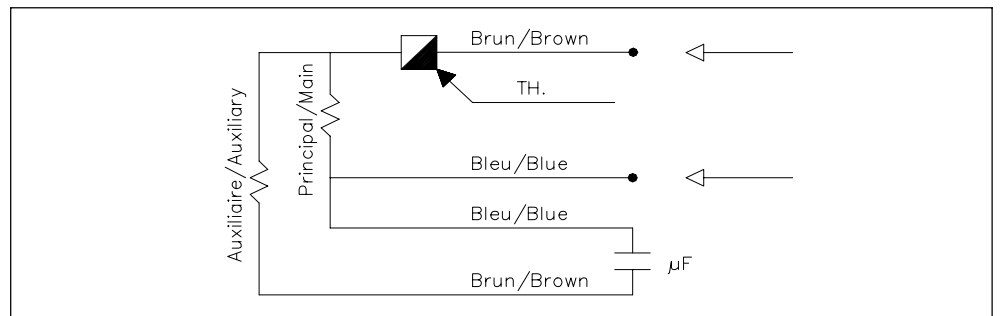
We are constantly working to make our products better and more reliable. Therefore we cannot guarantee data update.  
Therefore, although we put a lot of care in the making of our documentation, we cannot be held responsible for any error and/or omissions that could have slipped in.

### PERFORMANCE CURVES

measured in our laboratory according to AMCA/ASHRAE 210.85 fig.12



### WIRING DIAGRAM



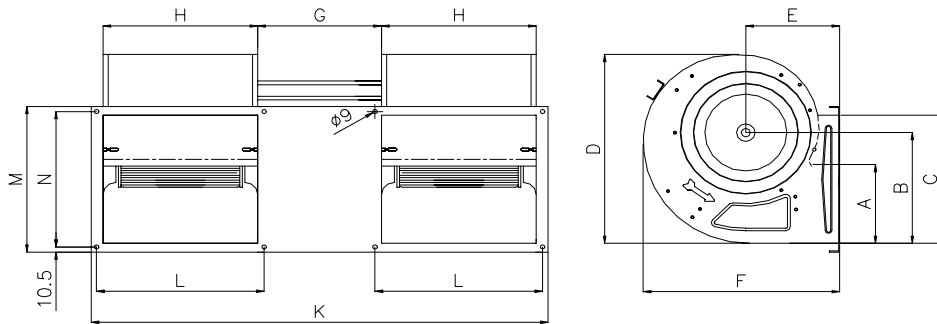
### FAN TECHNICAL DATA

ID CODE	<b>760000</b>
FAN NAME	<b>DP 133-220 1/2 2PO BB</b>
SUPPLY	230 V - 50 Hz
MOTOR	1/2 2PO BB DA (E0062.00)
CAPACITOR	10 $\mu$ F
THERMAL PROTECTION	Incorporated
IP CLASS	44
THERMAL CLASS	F
CONFORMITY	CE
SPEED CONTROL	ES3

### NOMINAL INSTALLATION DATA

	Pressure (Pa)	Amps (A)	Abs.Power (W)	Max air T°(TM) (°C)
Minimum	150	3	680	60
Maximum	400	1,7	360	55

### DIMENSIONS

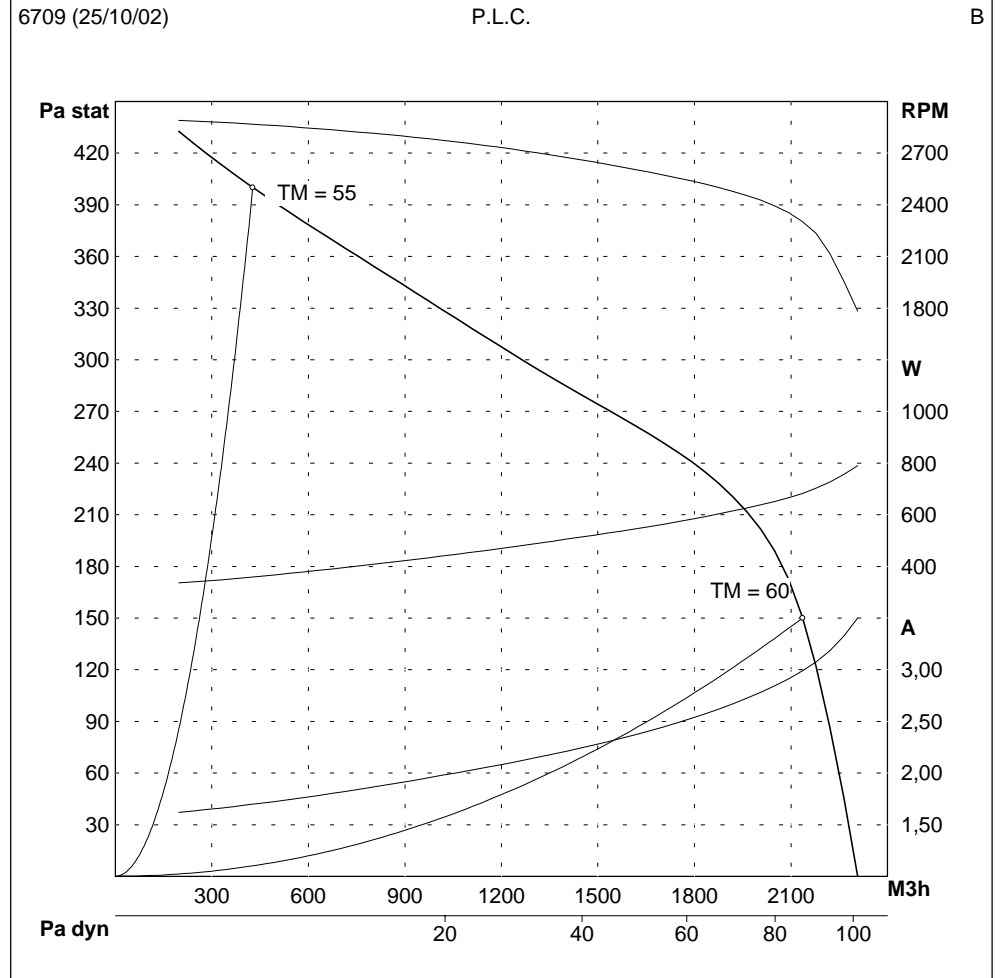


A	B	C	D	E	F	G	H	K	L	M	N
95	113	95	202	102	196	200	260	920	813	180	90

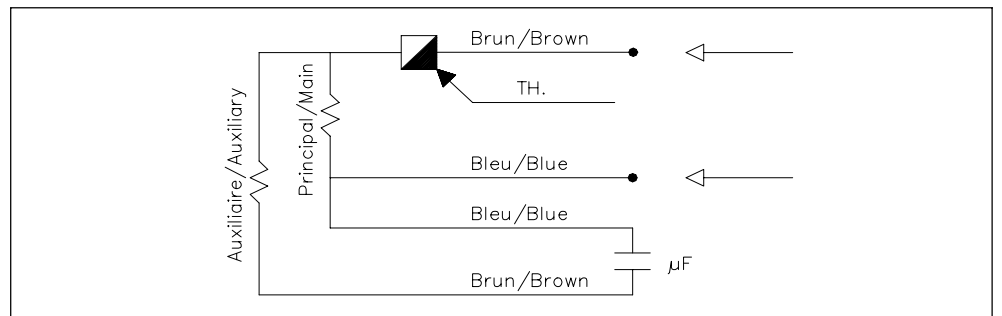
We are constantly working to make our products better and more reliable. Therefore we cannot guarantee data update.  
Therefore, although we put a lot of care in the making of our documentation, we cannot be held responsible for any error and/or omissions that could have slipped in.

### PERFORMANCE CURVES

measured in our laboratory according to AMCA/ASHRAE 210.85 fig.12



### WIRING DIAGRAM



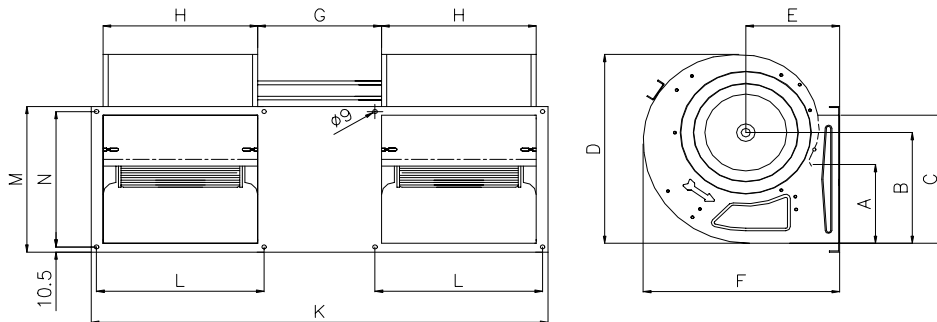
### FAN TECHNICAL DATA

ID CODE	<b>760003</b>
FAN NAME	<b>DP 146-220 73W SB</b>
SUPPLY	230 V - 50 Hz
MOTOR	73W 4PO SB DA (110737.00)
CAPACITOR	4 $\mu$ F
THERMAL PROTECTION	Incorporated
IP CLASS	20
THERMAL CLASS	B
CONFORMITY	CE
SPEED CONTROL	ES3

### NOMINAL INSTALLATION DATA

Pressure (Pa)	Amps (A)	Abs.Power (W)	Max air T°(TM) (°C)
Minimum	0	0,87	55
Maximum	100	0,66	45

### DIMENSIONS

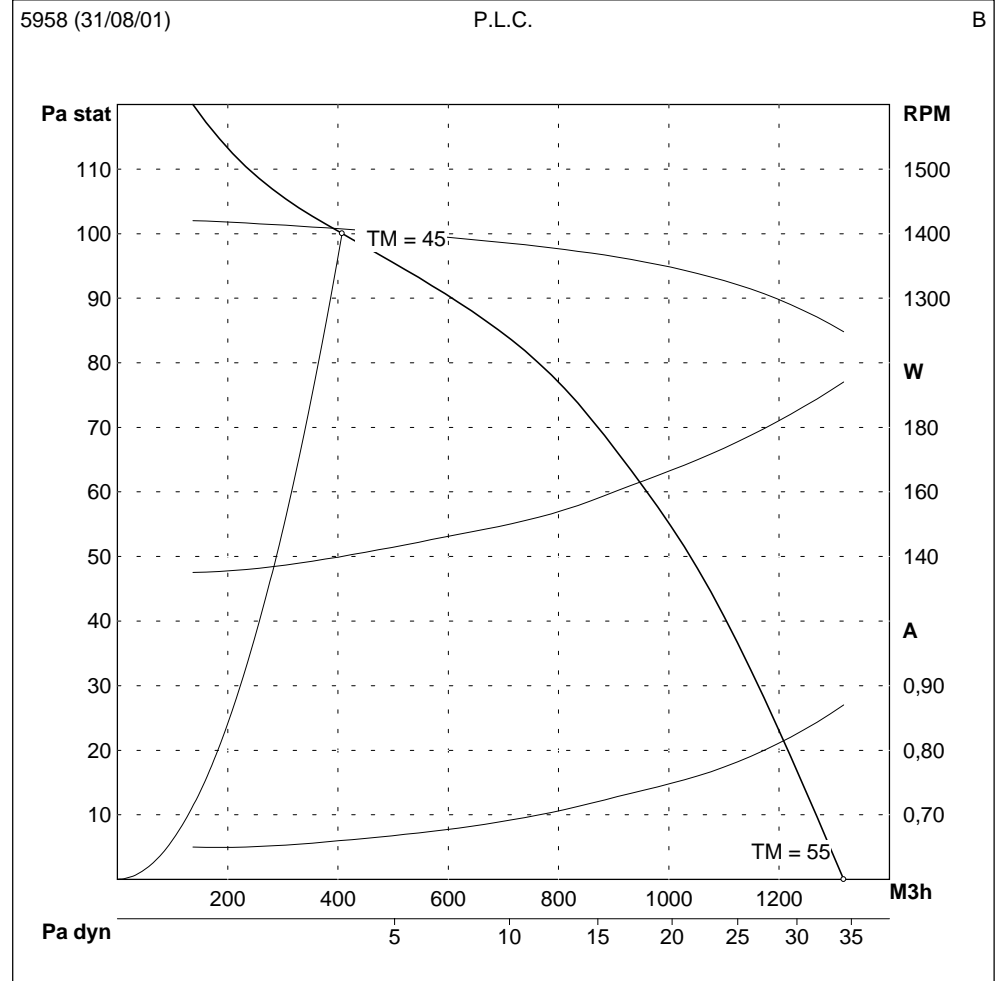


A	B	C	D	E	F	G	H	K	L	M	N
95	113	95	202	102	196	140	255	784	702	180	120

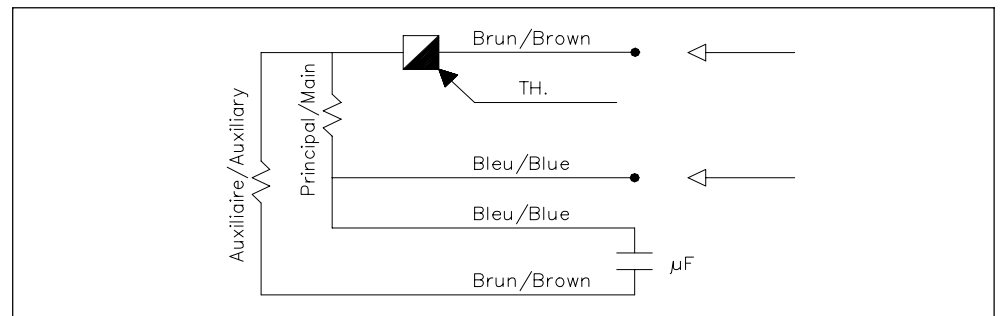
We are constantly working to make our products better and more reliable. Therefore we cannot guarantee data update.  
Therefore, although we put a lot of care in the making of our documentation, we cannot be held responsible for any error and/or omissions that could have slipped in.

### PERFORMANCE CURVES

measured in our laboratory according to AMCA/ASHRAE 210.85 fig.12



### WIRING DIAGRAM



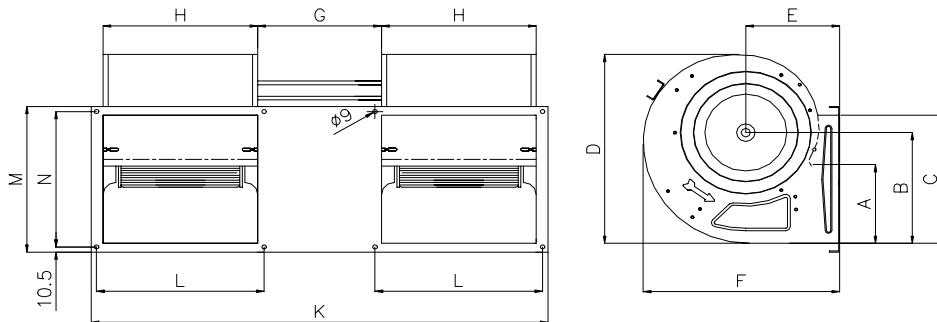
### FAN TECHNICAL DATA

ID CODE	<b>760004</b>
FAN NAME	<b>DP 6-6-14 TH 1/3 SB</b>
SUPPLY	230 V - 50 Hz
MOTOR	1/3 4PO DA (110738.00)
CAPACITOR	6 $\mu$ F
THERMAL PROTECTION	Incorporated
IP CLASS	44
THERMAL CLASS	F
CONFORMITY	CE
SPEED CONTROL	ES3

### NOMINAL INSTALLATION DATA

Pressure (Pa)	Amps (A)	Abs.Power (W)	Max air T°(TM) (°C)
Minimum	0	1,5	60
Maximum	180	0,96	60

### DIMENSIONS

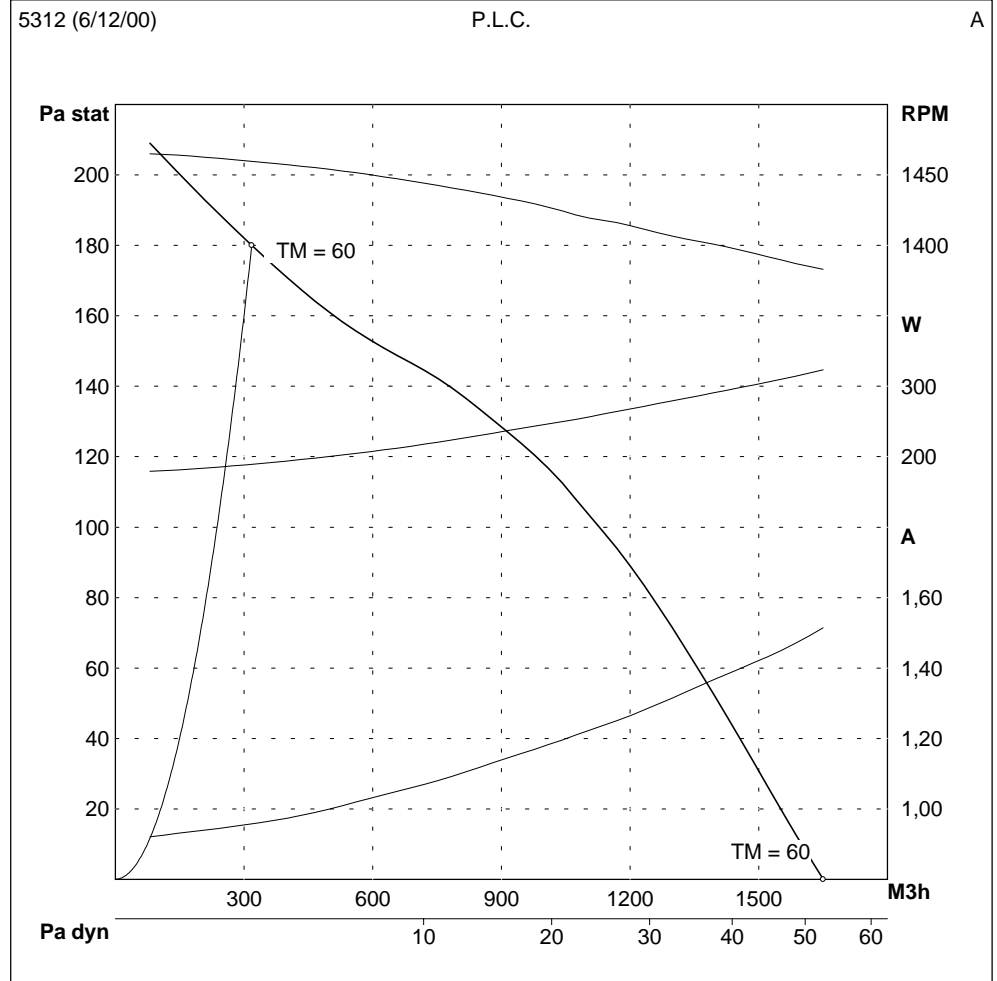


A	B	C	D	E	F	G	H	K	L	M	N
115	134	115	247	129	252	200	213				

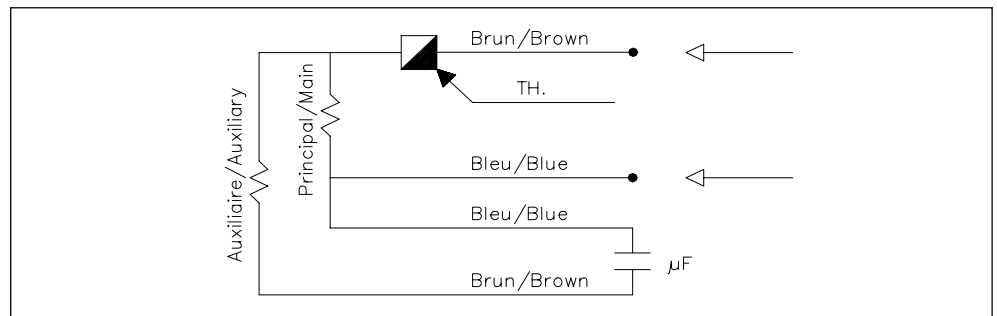
We are constantly working to make our products better and more reliable. Therefore we cannot guarantee data update.  
Therefore, although we put a lot of care in the making of our documentation, we cannot be held responsible for any error and/or omissions that could have slipped in.

### PERFORMANCE CURVES

measured in our laboratory according to AMCA/ASHRAE 210.85 fig.12



### WIRING DIAGRAM





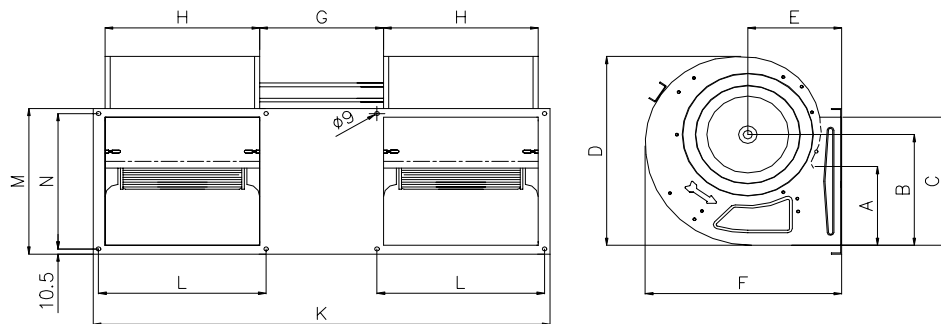
## FAN TECHNICAL DATA

ID CODE	<b>760005</b>
FAN NAME	<b>DP 6-6-14 1/3 SB</b>
SUPPLY	230 V - 50 Hz
MOTOR	1/3 4PO DA (110738.00)
CAPACITOR	6 $\mu$ F
THERMAL PROTECTION	Incorporated
IP CLASS	44
THERMAL CLASS	F
CONFORMITY	CE
SPEED CONTROL	ES3

## NOMINAL INSTALLATION DATA

Pressure (Pa)	Amps (A)	Abs.Power (W)	Max air T°(TM) (°C)
Minimum	50	1,9	420
Maximum	230	0,97	190

## DIMENSIONS

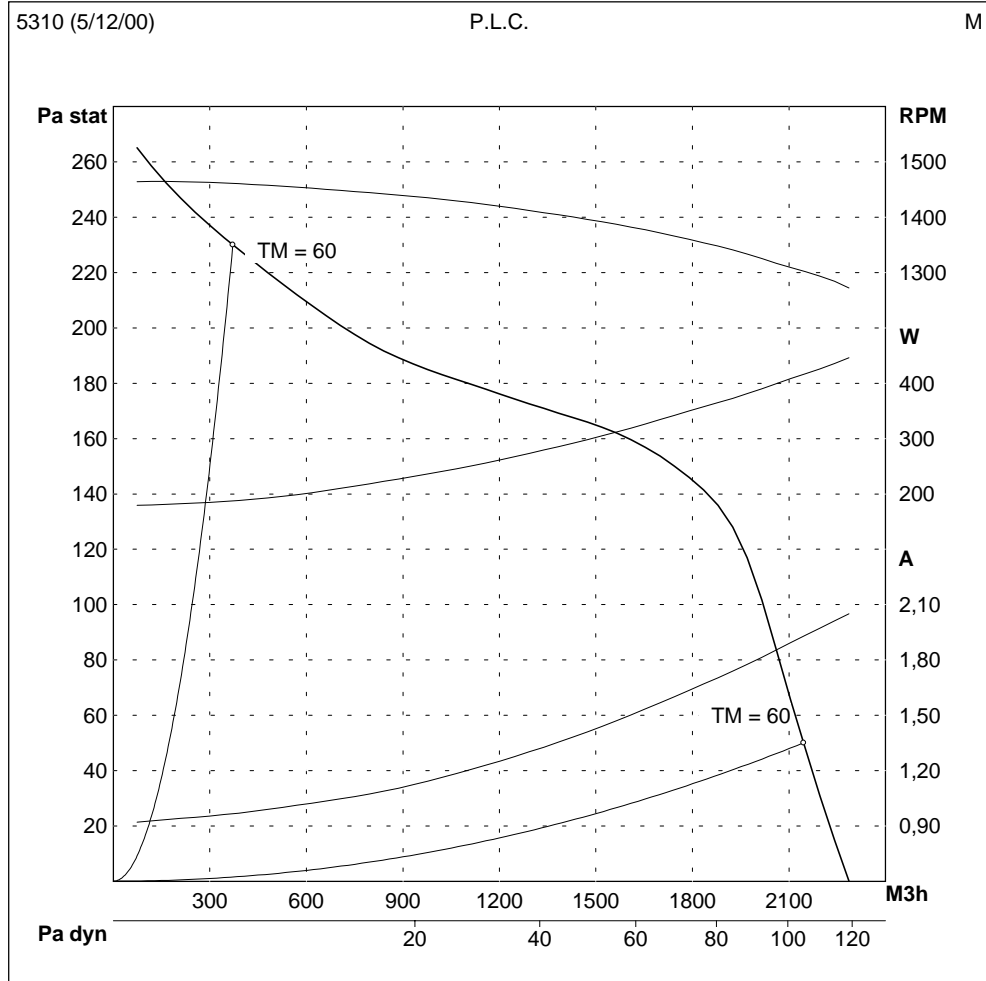


A	B	C	D	E	F	G	H	K	L	M	N
106	164	210	291	129	274	200	213	670	238	291	225

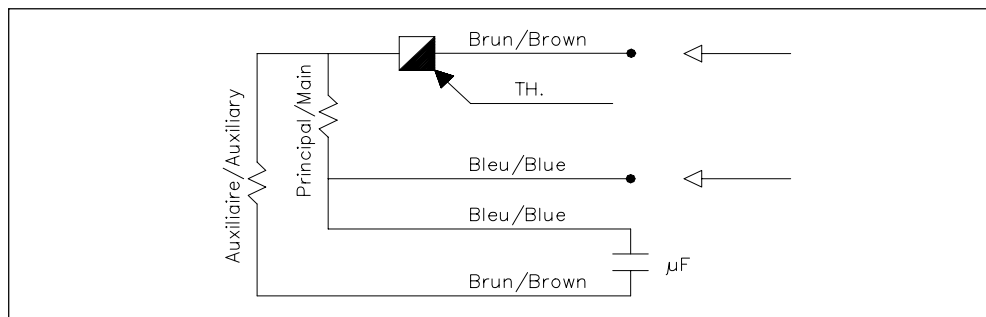
We are constantly working to make our products better and more reliable. Therefore we cannot guarantee data update.  
Therefore, although we put a lot of care in the making of our documentation, we cannot be held responsible for any error and/or omissions that could have slipped in.

## PERFORMANCE CURVES

measured in our laboratory according to AMCA/ASHRAE 210.85 fig.12



## WIRING DIAGRAM



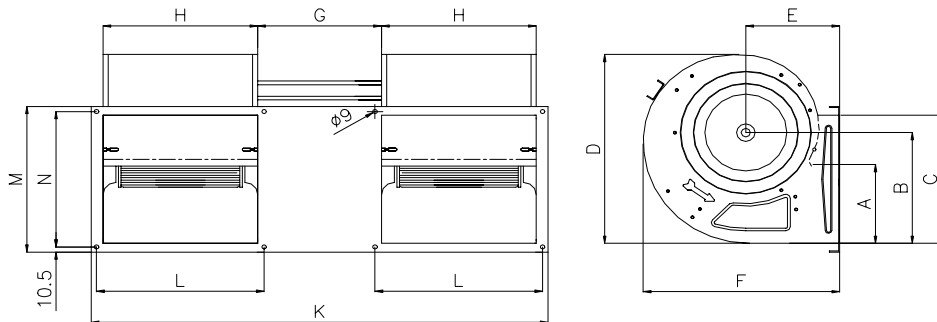
### FAN TECHNICAL DATA

ID CODE	<b>760007</b>
FAN NAME	<b>DP 7-7-14 1/3 SB</b>
SUPPLY	230 V - 50 Hz
MOTOR	1/3 4PO DA (110738.00)
CAPACITOR	6 $\mu$ F
THERMAL PROTECTION	Incorporated
IP CLASS	44
THERMAL CLASS	F
CONFORMITY	CE
SPEED CONTROL	ES3

### NOMINAL INSTALLATION DATA

	Pressure (Pa)	Amps (A)	Abs.Power (W)	Max air T°(TM) (°C)
Minimum	140	2	430	55
Maximum	260	1	200	55

### DIMENSIONS

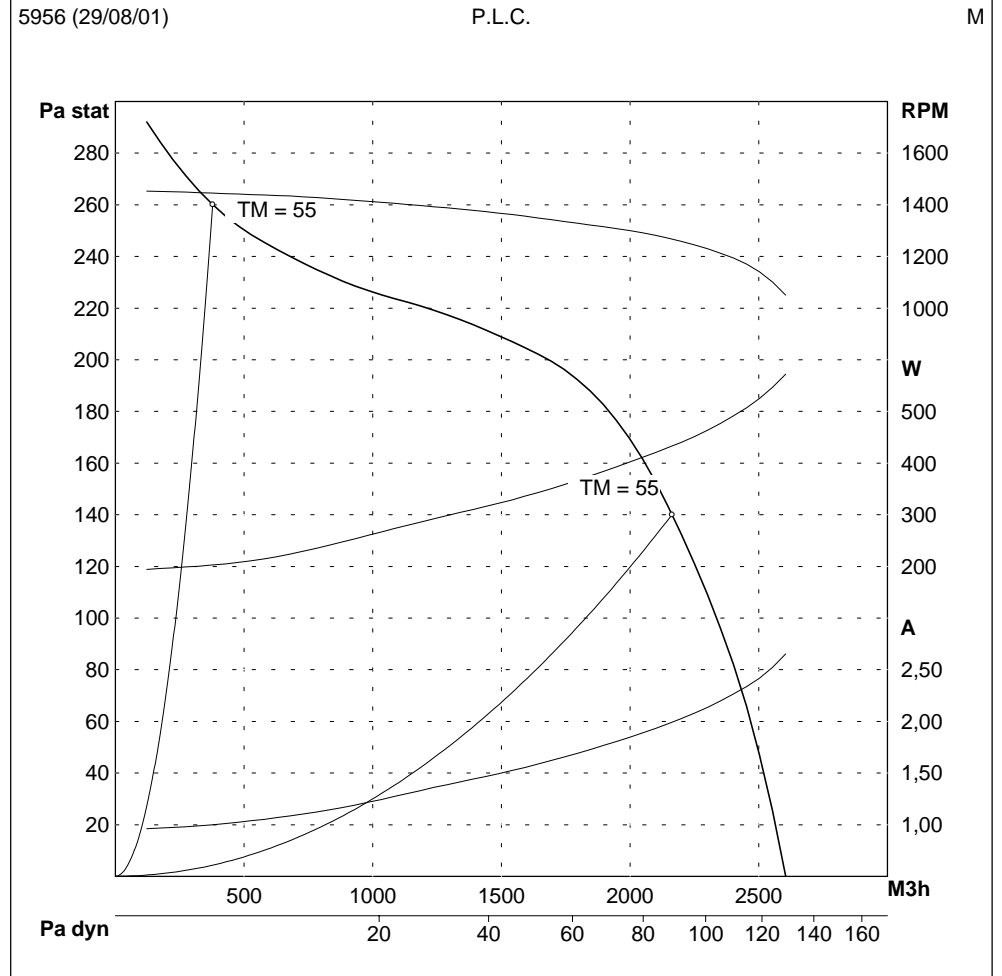


A	B	C	D	E	F	G	H	K	L	M	N
106	164	210	291	127	272	200	233	710	258	281	225

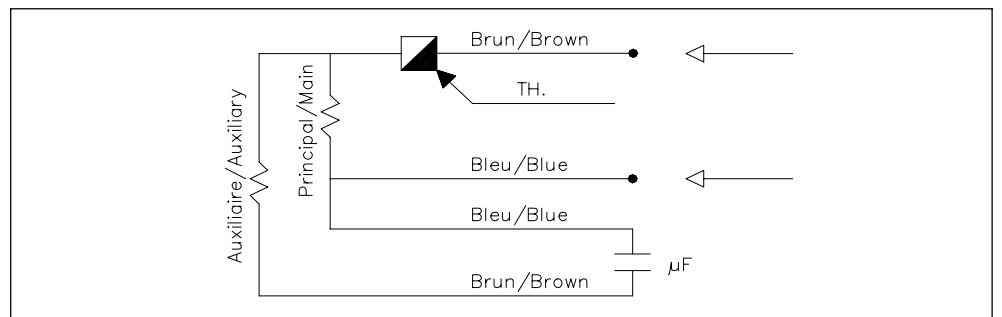
We are constantly working to make our products better and more reliable. Therefore we cannot guarantee data update.  
Therefore, although we put a lot of care in the making of our documentation, we cannot be held responsible for any error and/or omissions that could have slipped in.

### PERFORMANCE CURVES

measured in our laboratory according to AMCA/ASHRAE 210.85 fig.12



### WIRING DIAGRAM



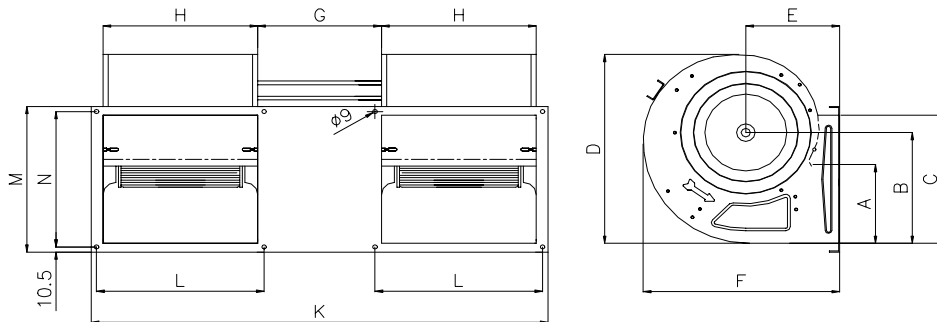
### FAN TECHNICAL DATA

ID CODE	<b>760008</b>
FAN NAME	<b>DP 9-7-14 TH 5/8 BB</b>
SUPPLY	230 V - 50 Hz
MOTOR	5/8 4PO BB DA (110739.00)
CAPACITOR	14 $\mu$ F
THERMAL PROTECTION	incorporated
IP CLASS	44
THERMAL CLASS	F
CONFORMITY	CE
SPEED CONTROL	ESB10

### NOMINAL INSTALLATION DATA

Pressure (Pa)	Amps (A)	Abs.Power (W)	Max air T°(TM) (°C)
Minimum	0	5,1	60
Maximum	350	2,4	60

### DIMENSIONS

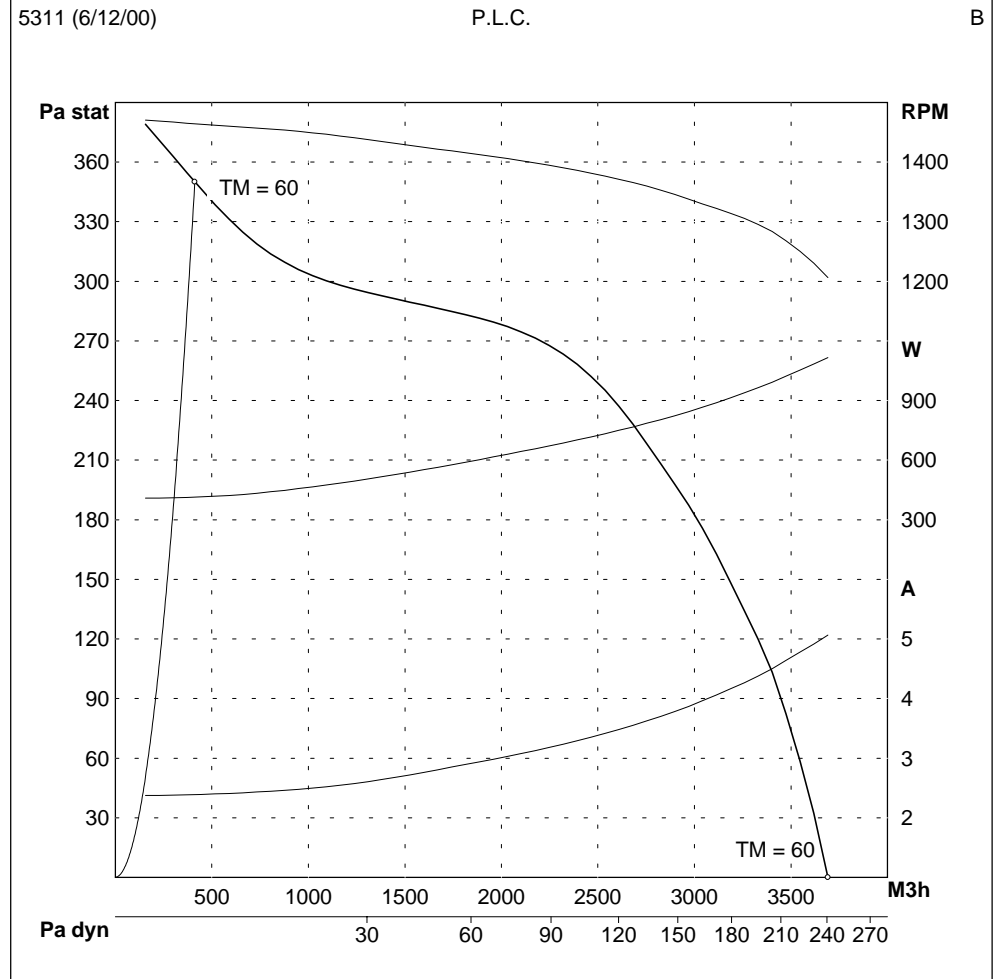


A	B	C	D	E	F	G	H	K	L	M	N
110	175	261	318	151	310	200	233	710	258	301	280

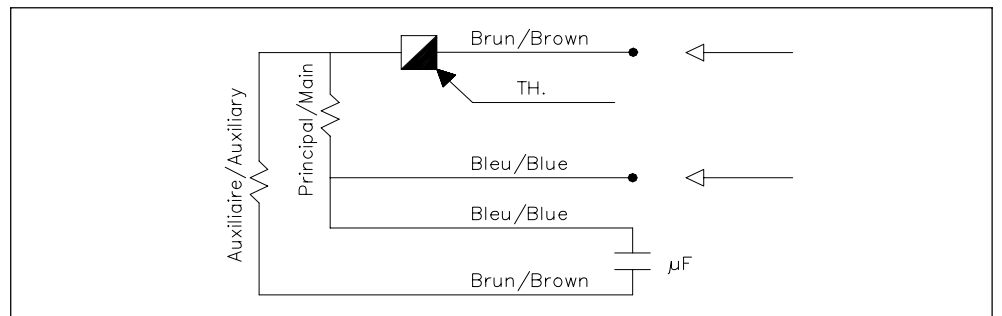
We are constantly working to make our products better and more reliable. Therefore we cannot guarantee data update.  
Therefore, although we put a lot of care in the making of our documentation, we cannot be held responsible for any error and/or omissions that could have slipped in.

### PERFORMANCE CURVES

measured in our laboratory according to AMCA/ASHRAE 210.85 fig.12



### WIRING DIAGRAM



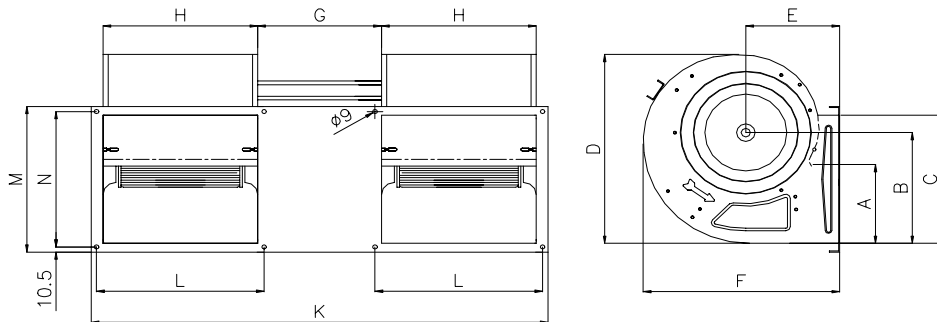
### FAN TECHNICAL DATA

ID CODE	<b>760010</b>
FAN NAME	<b>DP 9-9-14 TH 5/8 BB</b>
SUPPLY	230 V - 50 Hz
MOTOR	5/8 4PO BB DA (110739.00)
CAPACITOR	14 $\mu$ F
THERMAL PROTECTION	incorporated
IP CLASS	44
THERMAL CLASS	F
CONFORMITY	CE
SPEED CONTROL	ESB10

### NOMINAL INSTALLATION DATA

Pressure (Pa)	Amps (A)	Abs.Power (W)	Max air T°(TM) (°C)
Minimum	5,6	1230	60
Maximum	2,4	440	60

### DIMENSIONS

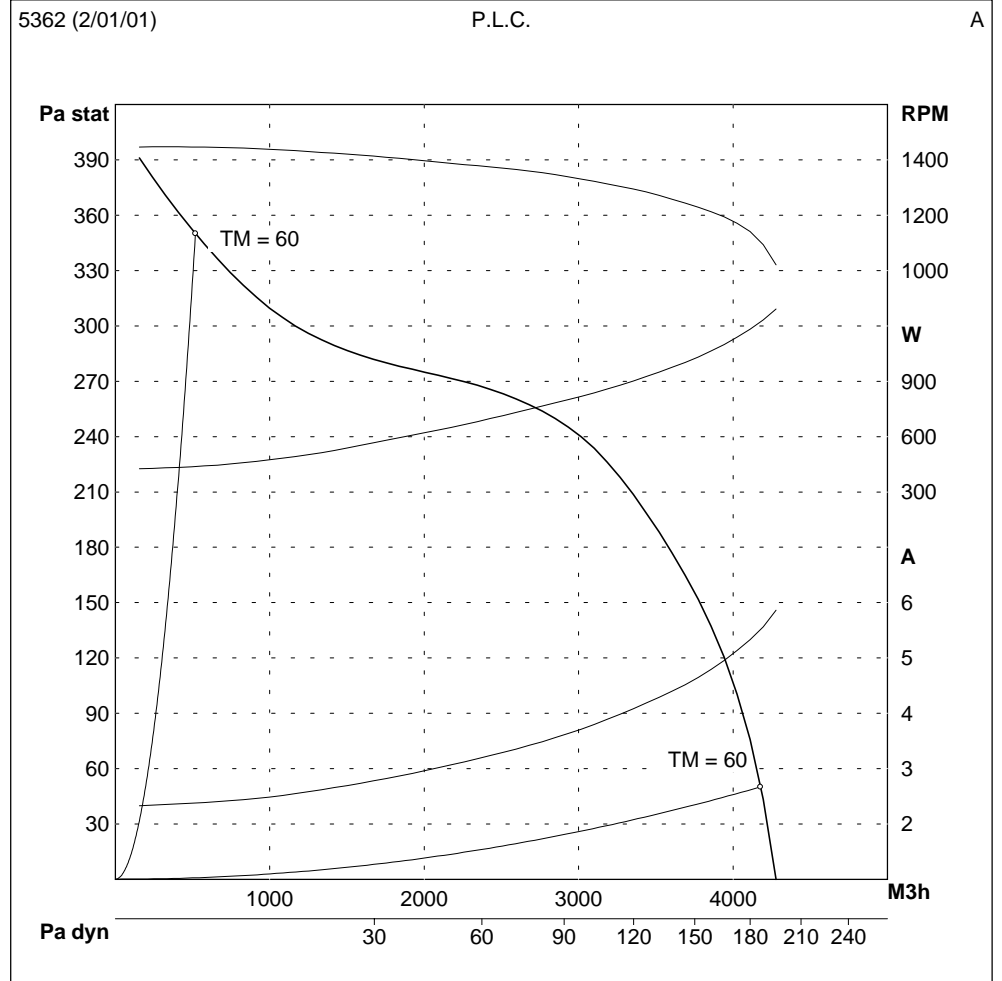


A	B	C	D	E	F	G	H	K	L	M	N
110	175	261	318	151	310	200	300	844	325	301	280

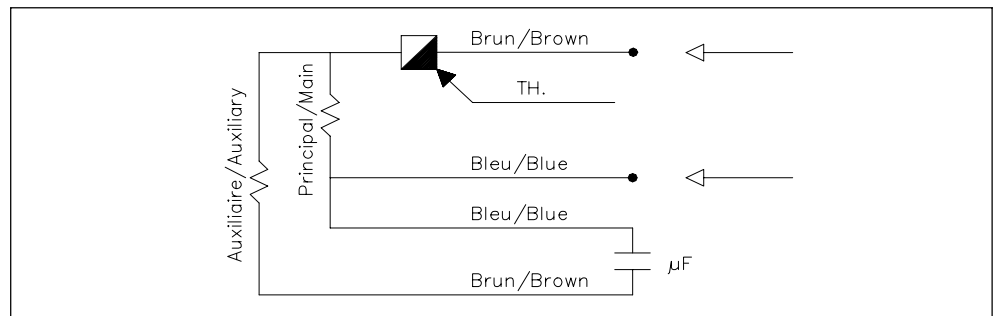
We are constantly working to make our products better and more reliable. Therefore we cannot guarantee data update.  
Therefore, although we put a lot of care in the making of our documentation, we cannot be held responsible for any error and/or omissions that could have slipped in.

### PERFORMANCE CURVES

measured in our laboratory according to AMCA/ASHRAE 210.85 fig.12



### WIRING DIAGRAM



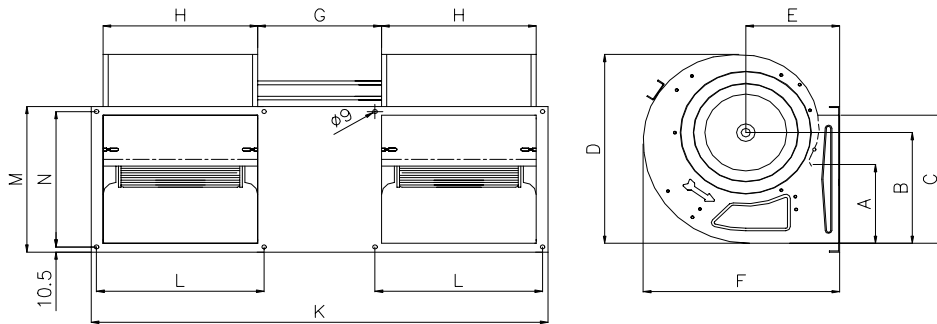
### FAN TECHNICAL DATA

ID CODE	<b>760014</b>
FAN NAME	<b>DP 9-9-14 5/8 BB</b>
SUPPLY	230 V - 50 Hz
MOTOR	5/8 4PO BB DA (110739.00)
CAPACITOR	14 $\mu$ F
THERMAL PROTECTION	
IP CLASS	
THERMAL CLASS	
CONFORMITY	CE
SPEED CONTROL	ESB10

### NOMINAL INSTALLATION DATA

	Pressure (Pa)	Amps (A)	Abs.Power (W)	Max air T°(TM) (°C)
Minimum	200	5,9	1290	60
Maximum	550	3	610	65

### DIMENSIONS

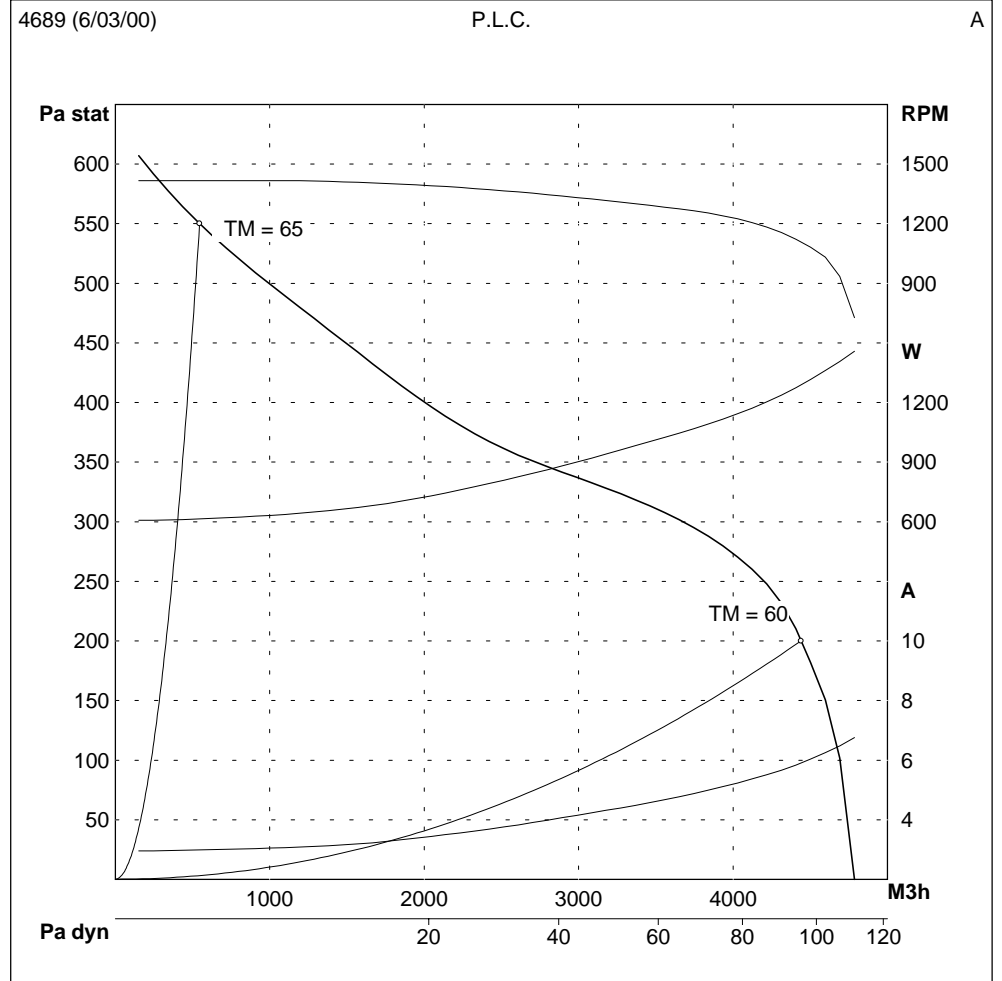


A	B	C	D	E	F	G	H	K	L	M	N
163	229	265	391	184	383	200	300	844	325	301	280

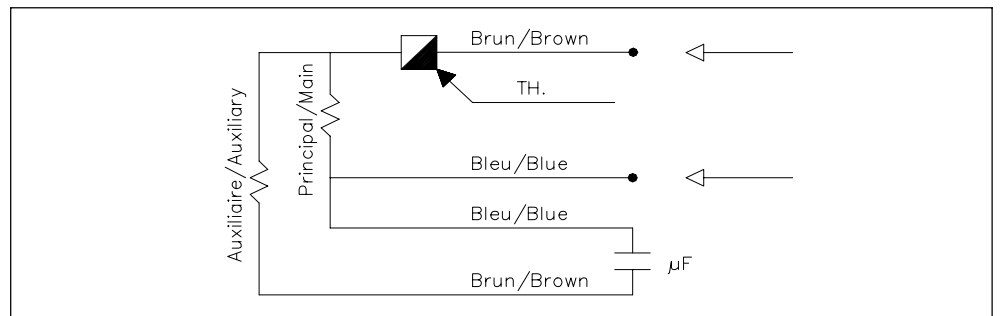
We are constantly working to make our products better and more reliable. Therefore we cannot guarantee data update.  
Therefore, although we put a lot of care in the making of our documentation, we cannot be held responsible for any error and/or omissions that could have slipped in.

### PERFORMANCE CURVES

measured in our laboratory according to AMCA/ASHRAE 210.85 fig.12



### WIRING DIAGRAM



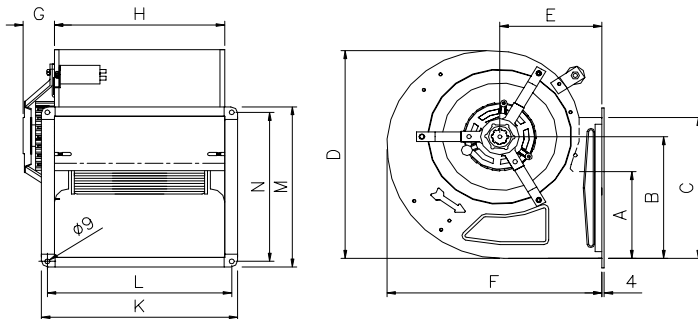
### FAN TECHNICAL DATA

ID CODE	<b>740007</b>
FAN NAME	<b>DDL 76-86 (LM 59)</b>
SUPPLY	230 V - 50 Hz
MOTOR	LM59, 6 mm
CAPACITOR	-
THERMAL PROTECTION	
IP CLASS	20
THERMAL CLASS	F
CONFORMITY	CE
SPEED CONTROL	ES3

### NOMINAL INSTALLATION DATA

	Pressure (Pa)	Amps (A)	Abs.Power (W)	Max air T°(TM) (°C)
Minimum	0	0,38	37	65
Maximum	100	0,35	31	65

### DIMENSIONS

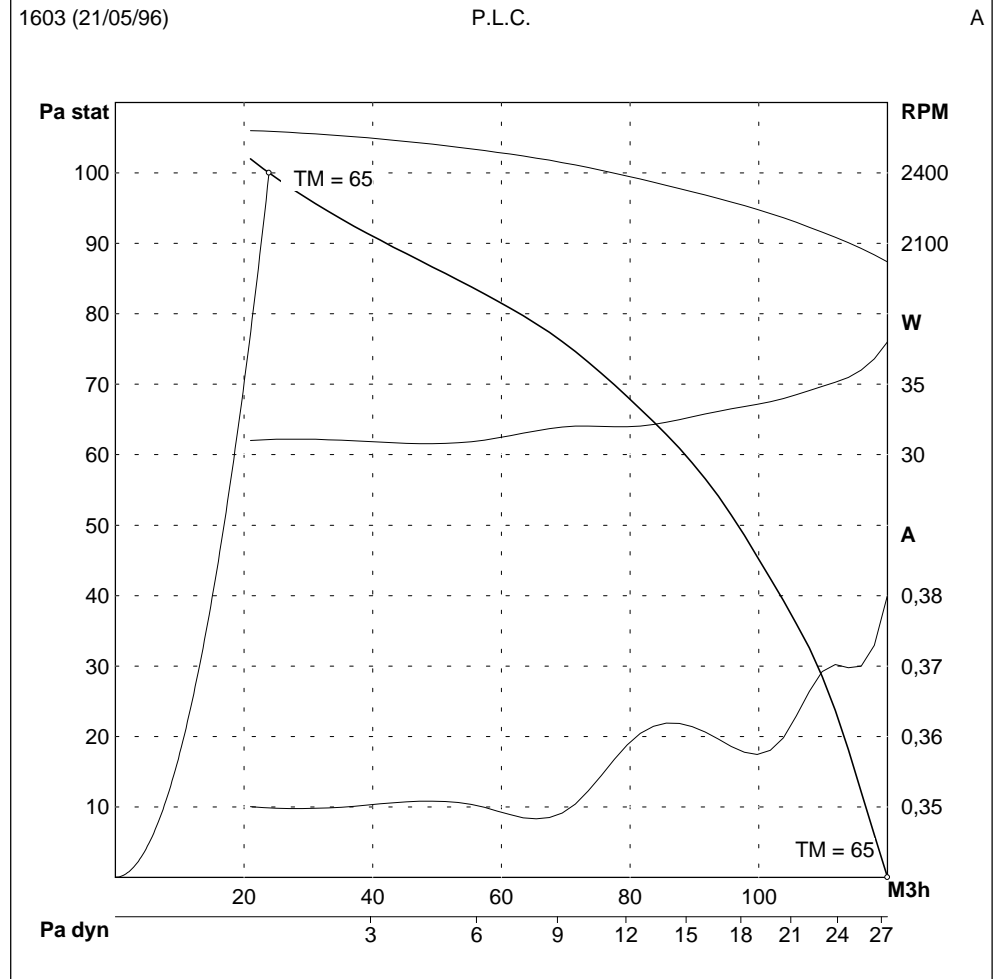


A	B	C	D	E	F	G	H	K	L	M	N
47	68	47	119	56	113	60	105				

We are constantly working to make our products better and more reliable. Therefore we cannot guarantee data update.  
Therefore, although we put a lot of care in the making of our documentation, we cannot be held responsible for any error and/or omissions that could have slipped in.

### PERFORMANCE CURVES

measured in our laboratory according to AMCA/ASHRAE 210.85 fig.12



### WIRING DIAGRAM



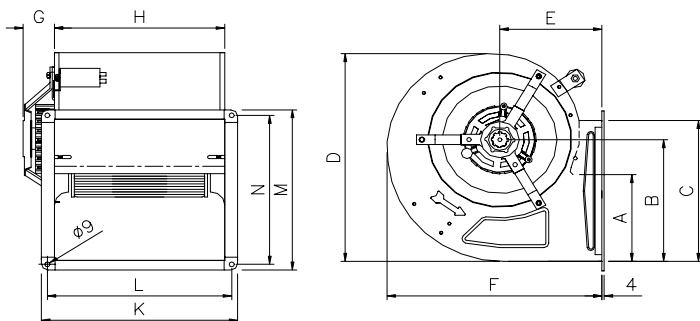
## FAN TECHNICAL DATA

ID CODE	<b>740009</b>
FAN NAME	<b>DDL 96-96 (LM 51)</b>
SUPPLY	230 V - 50 Hz
MOTOR	LM51, 6 mm
CAPACITOR	-
THERMAL PROTECTION	
IP CLASS	20
THERMAL CLASS	F
CONFORMITY	CE
SPEED CONTROL	ES3

## NOMINAL INSTALLATION DATA

	Pressure (Pa)	Amps (A)	Abs.Power (W)	Max air T°(TM) (°C)
Minimum	0	0,75	86	60
Maximum	200	0,64	61	60

## DIMENSIONS

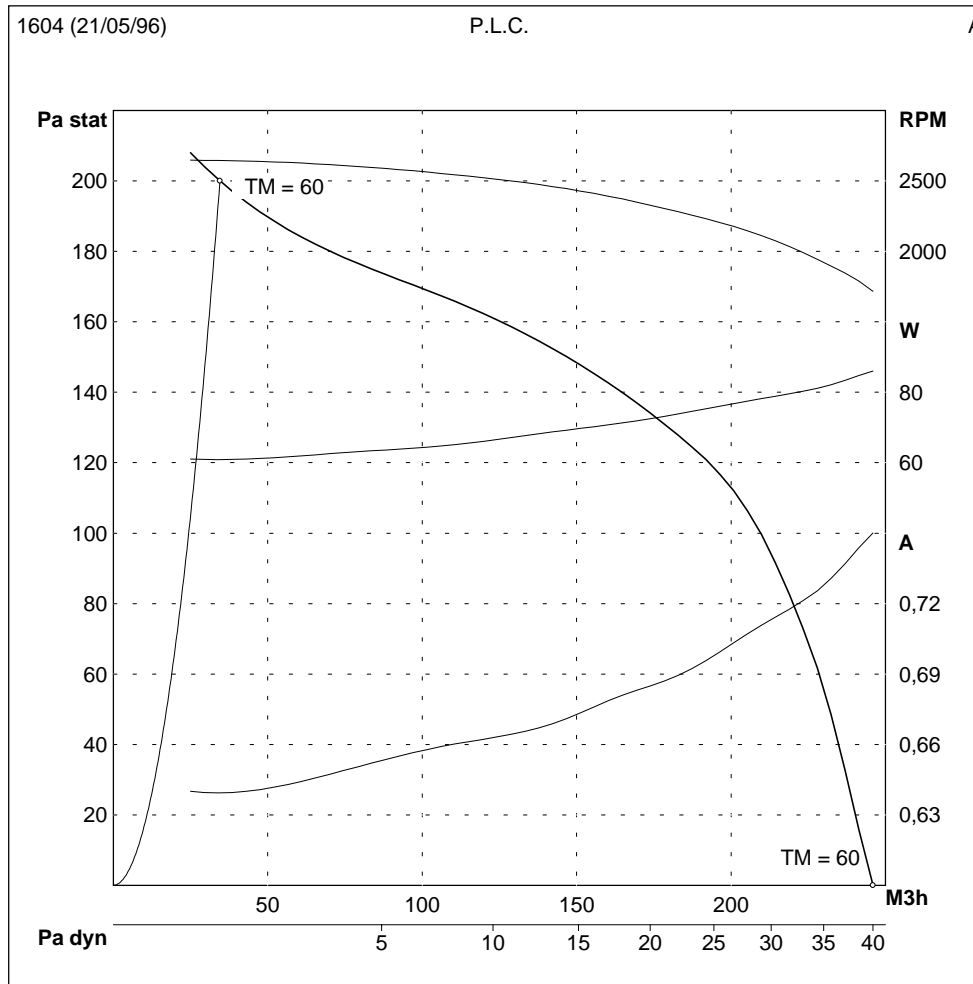


A	B	C	D	E	F	G	H	K	L	M	N
67	97	67	173	76	160	65	125				

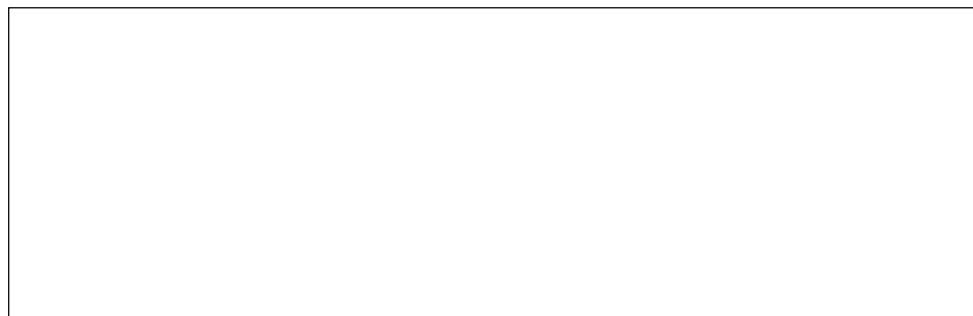
We are constantly working to make our products better and more reliable. Therefore we cannot guarantee data update.  
Therefore, although we put a lot of care in the making of our documentation, we cannot be held responsible for any error and/or omissions that could have slipped in.

## PERFORMANCE CURVES

measured in our laboratory according to AMCA/ASHRAE 210.85 fig.12



## WIRING DIAGRAM



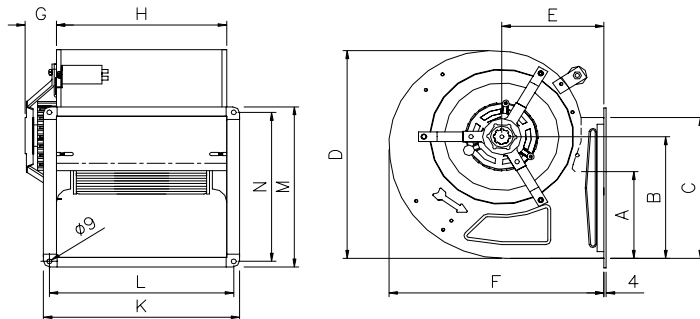
### FAN TECHNICAL DATA

ID CODE	<b>740042</b>
FAN NAME	<b>DDL 133-190 I/O 2 Po</b>
SUPPLY	230 V - 50 Hz
MOTOR	DDL 133-190 2PO I/O 1S (XE2005.01)
CAPACITOR	6 $\mu$ F
THERMAL PROTECTION	Incorporated
IP CLASS	44
THERMAL CLASS	F
CONFORMITY	CE
SPEED CONTROL	ES3

### NOMINAL INSTALLATION DATA

	Pressure (Pa)	Amps (A)	Abs.Power (W)	Max air T°(TM) (°C)
Minimum	100	1,1	260	60
Maximum	380	0,64	143	60

### DIMENSIONS

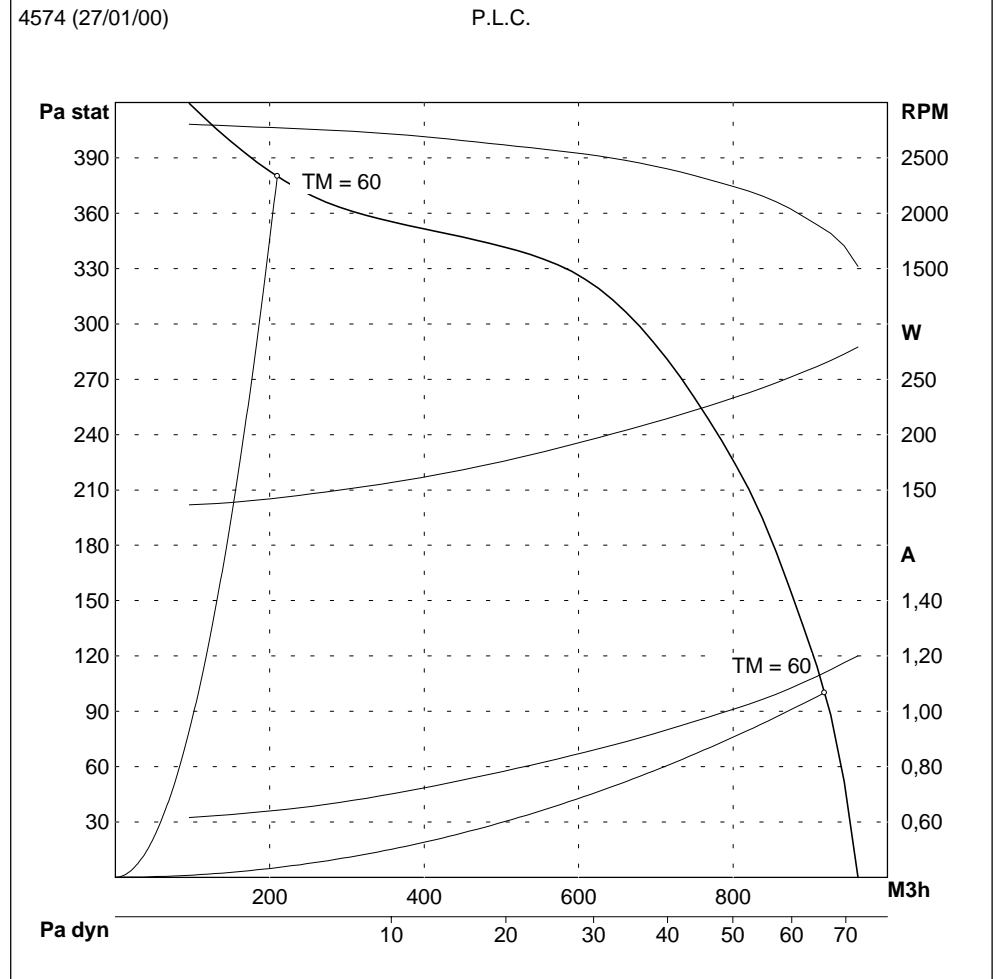


A	B	C	D	E	F	G	H	K	L	M	N
105	114	105	206	103	206	0	232	0	0	0	0

We are constantly working to make our products better and more reliable. Therefore we cannot guarantee data update.  
Therefore, although we put a lot of care in the making of our documentation, we cannot be held responsible for any error and/or omissions that could have slipped in.

### PERFORMANCE CURVES

measured in our laboratory according to AMCA/ASHRAE 210.85 fig.12



### WIRING DIAGRAM





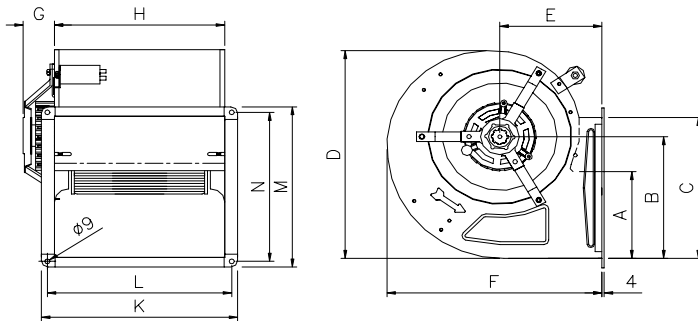
### FAN TECHNICAL DATA

ID CODE	<b>740030</b>
FAN NAME	<b>DDL 133-200 I/O</b>
SUPPLY	230 V - 50 Hz
MOTOR	DDL 133-200 I/O 1S (XE4017.01)
CAPACITOR	2 $\mu$ F
THERMAL PROTECTION	
IP CLASS	44
THERMAL CLASS	B
CONFORMITY	CE
SPEED CONTROL	ES3

### NOMINAL INSTALLATION DATA

	Pressure (Pa)	Amps (A)	Abs.Power (W)	Max air T°(TM) (°C)
Minimum	0	0,4	91	55
Maximum	105	0,22	50	60

### DIMENSIONS

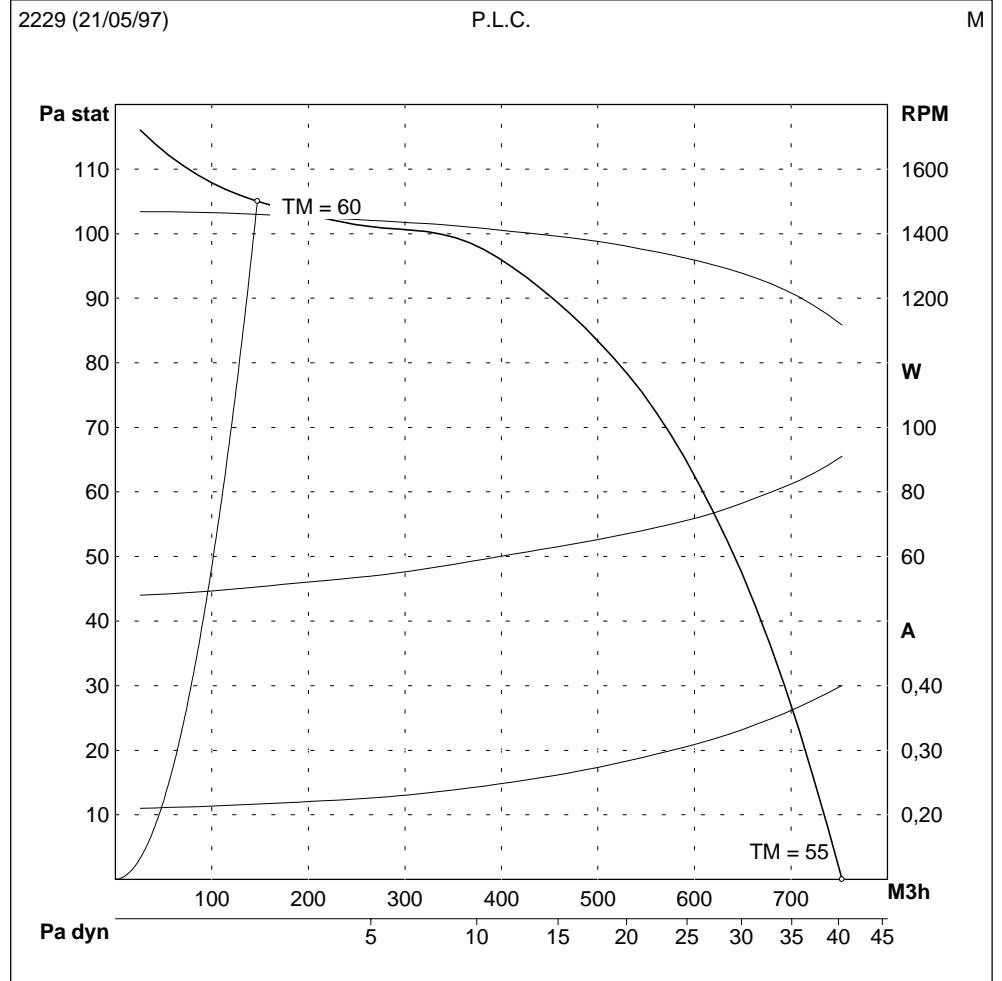


A	B	C	D	E	F	G	H	K	L	M	N
110	114	110	206	97	200	0	232	285	260	110	60

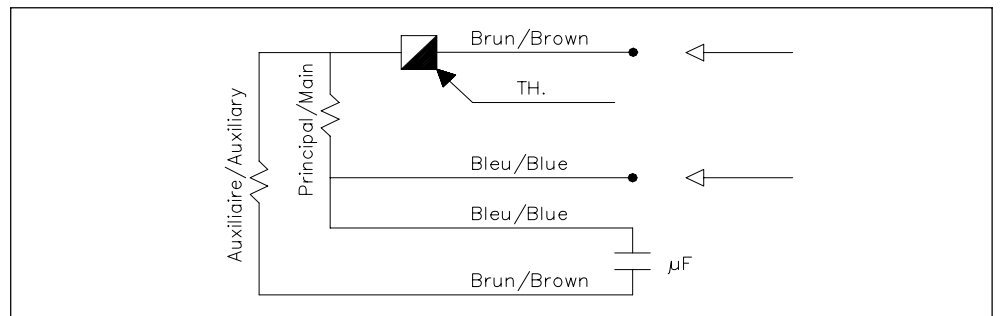
We are constantly working to make our products better and more reliable. Therefore we cannot guarantee data update.  
Therefore, although we put a lot of care in the making of our documentation, we cannot be held responsible for any error and/or omissions that could have slipped in.

### PERFORMANCE CURVES

measured in our laboratory according to AMCA/ASHRAE 210.85 fig.12



### WIRING DIAGRAM



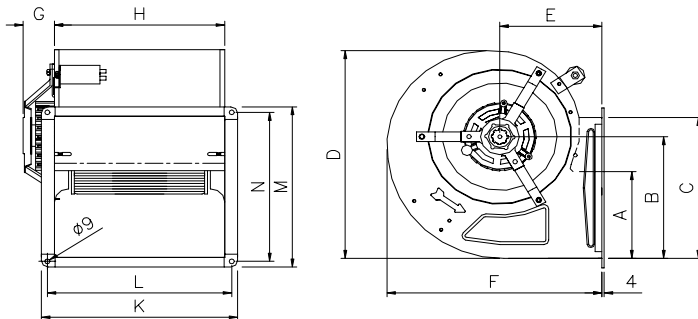
### FAN TECHNICAL DATA

ID CODE	<b>740011</b>
FAN NAME	<b>DDL 146-190 I/O</b>
SUPPLY	230 V - 50 Hz
MOTOR	DDL 146-190 I/O 1S (XE4016.02)
CAPACITOR	2.5 µF
THERMAL PROTECTION	Incorporated
IP CLASS	44
THERMAL CLASS	B
CONFORMITY	CE
SPEED CONTROL	ES3

### NOMINAL INSTALLATION DATA

	Pressure (Pa)	Amps (A)	Abs.Power (W)	Max air T°(TM) (°C)
Minimum	50	0,54	118	50
Maximum	120	0,36	72	50

### DIMENSIONS

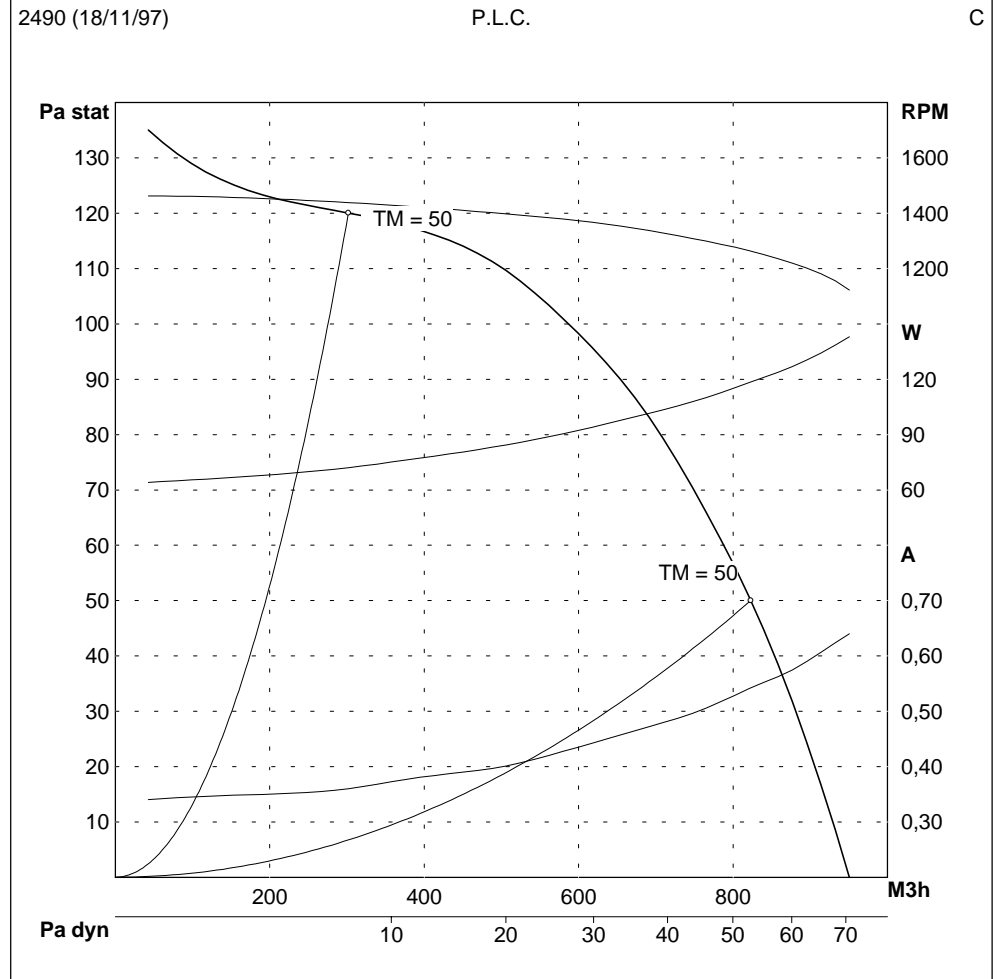


A	B	C	D	E	F	G	H	K	L	M	N
105	114	105	206	103	206	0	232	0	0	0	0

We are constantly working to make our products better and more reliable. Therefore we cannot guarantee data update.  
Therefore, although we put a lot of care in the making of our documentation, we cannot be held responsible for any error and/or omissions that could have slipped in.

### PERFORMANCE CURVES

measured in our laboratory according to AMCA/ASHRAE 210.85 fig.12



### WIRING DIAGRAM

