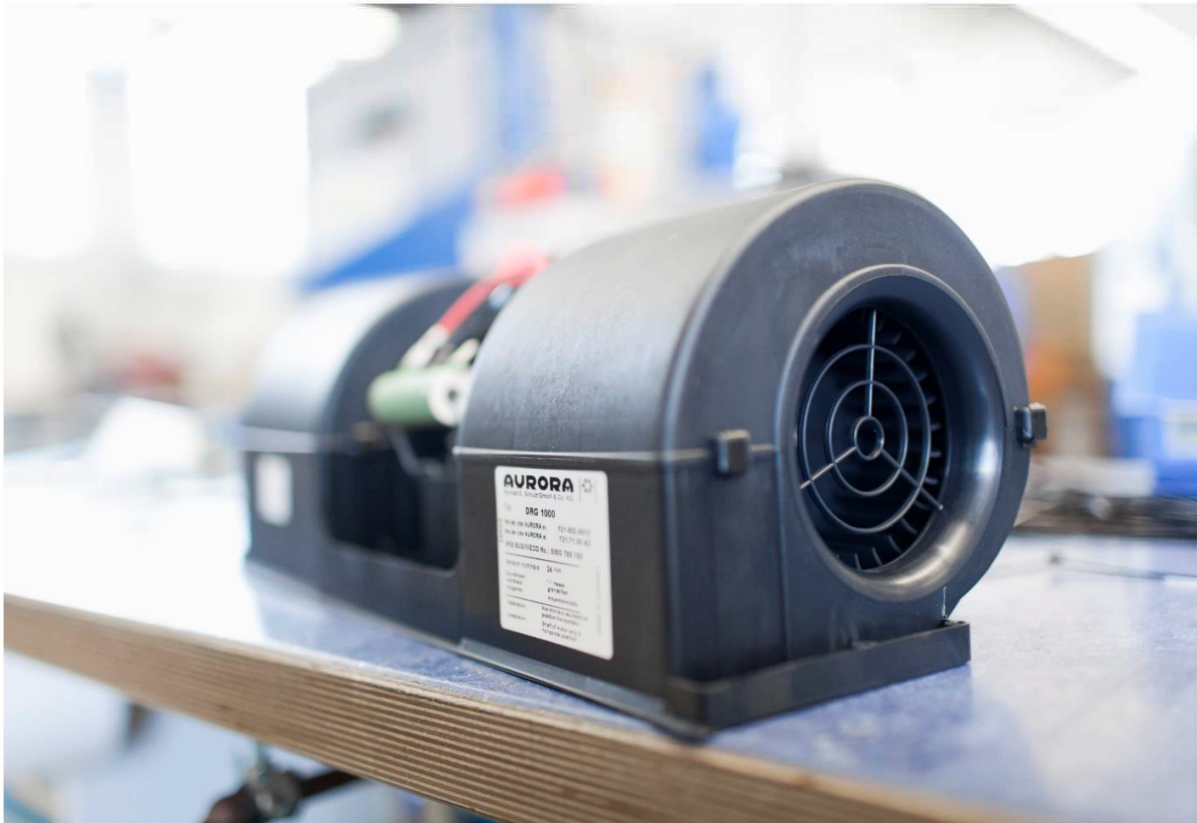


AURORA Blowers and Ventilators



Designed for Maximum Efficiency and Airflow, Longer lifetimes, Serviceability, and Customer Satisfaction. For more information including pricing, availability, technical information, and custom solutions, please contact our sales team or visit our website.

Blowers Axial Fans

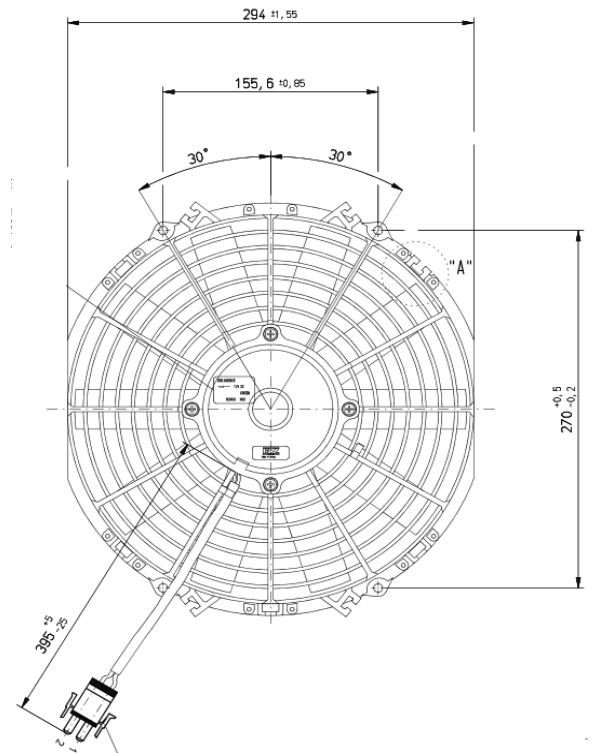
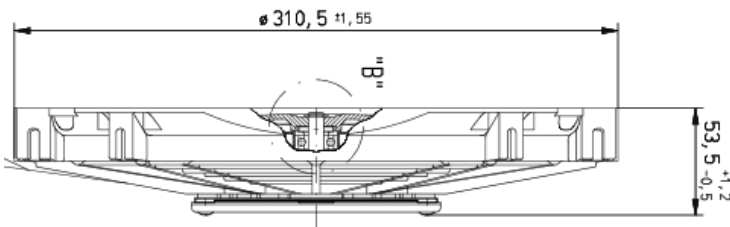
Aurora's Axial Fans come in several different sizes and mounting options in order to ensure the correct fit. These fans are powerful, durable, and lightweight. They are ideal for use as roof vents, condenser fans, oil coolers, and several other applications where maximum airflow is essential. Additional options include resistors for multiple speeds.

| Specifications | |
|--|---------------------------|
| Housing: 35% glass fiber polyamide PA6 | |
| Airflow: 2400 m ³ /h (1412.5 cfm) | |
| Nominal voltage: 24 Volt | |
| Weight: ~1.15 Kg (2.54 lbs.) | |
| Technical Data | |
| 912-100-0617 / 912-100-0948 | |
| 912-100-0482 / 912-100-0751 | |
| 912-100-0754 | |
| Variations | |
| Part Number | Description |
| 134-801-0004 | 12 V 310 mm push |
| 134-801-0008 | 12 V 210 mm pull |
| 134-801-0009 | 12 V 284,5 mm push |
| 134-801-0010 | 12 V 247 mm pull |
| 134-802-0004 | 24 V 310 mm push |
| 134-802-0008 | 24 V 210 mm pull |
| 134-802-0011 | 24 V 247 mm pull |
| 134-802-0012 | 24 V 415 mm pull |
| 134-802-0014 | 24 V pull soft blade fan |
| 134-802-0020 | 24 V KLDC24Z7 with cable |
| 134-802-0031 | 24 V pull VA07-BP12/C-58A |



Technical Drawing and Information

| | |
|-------------------------|-----------------------|
| Operation Voltage Range | 16 - 32 V |
| Air Flow | 800 m ³ /h |
| Rotation Speed | 3450 rpm |
| Power Consumption | 110 W |
| Current Consumption | 7.0 A |
| Sound Level | 70 dB(A) |
| Acceptable Ambient Temp | -40°C to +85°C |



Blowers Axial EC

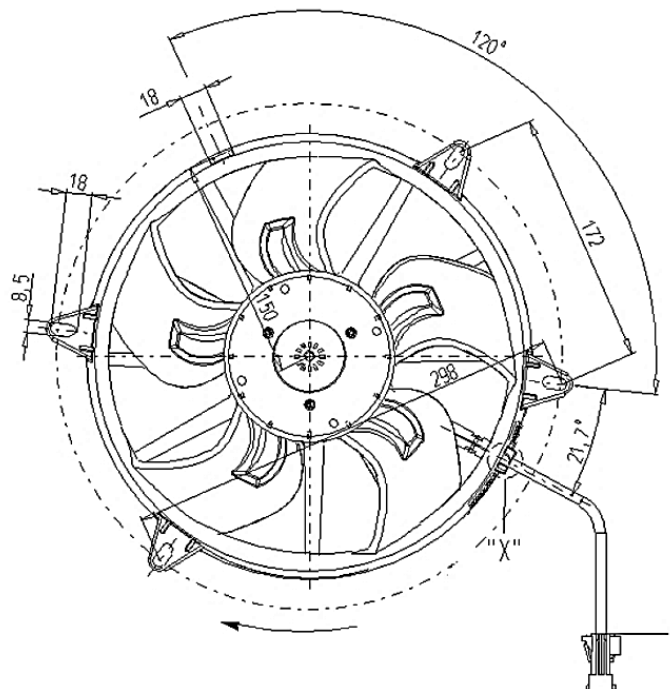
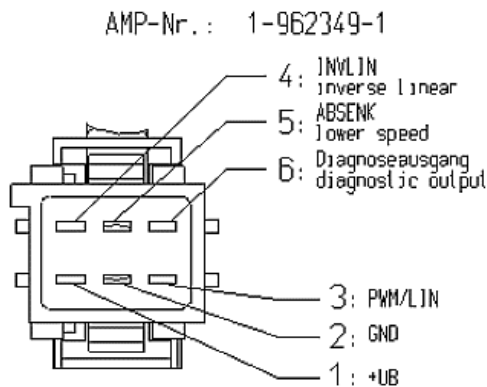
The axial fan EC is infinitely adjustable to satisfy high comfort standards with a high lifetime performance of over 25.000 operation hours. The axial fan has a high degree of efficiency, a low noise emission and fulfil highest EMC requirements. Usage for motor cooling, ventilation, in condenser unit and in unit with low pressure loss.

| Specifications | |
|--|--------------------------------|
| Housing: 35% glass fiber polyamide PA6 | |
| Airflow: 2400 m ³ /h (1412.5 cfm) | |
| Nominal voltage: 24 Volt | |
| Weight: ~2.45 Kg (5.6 lbs.) | |
| Technical Data | |
| 912-100-0377 | |
| Variations | |
| Part Number | Description |
| 134-902-0006 | 24V 303 mm brushless Motor |
| 134-902-0008 | 24V 330 mm brushless Motor |
| 134-802-0020 | 24V 92 x 92 mm brushless Motor |



Technical Drawing and Information

Operation Voltage Range 16 -32 V
 Air Flow 2400 m³/h
 Rotation Speed 3100 min⁻¹
 Power Consumption 200 W
 Current Consumption 7.5 A
 Sound Level 72 dB(A)
 Acceptable Ambient Temp -40°C to +85°C



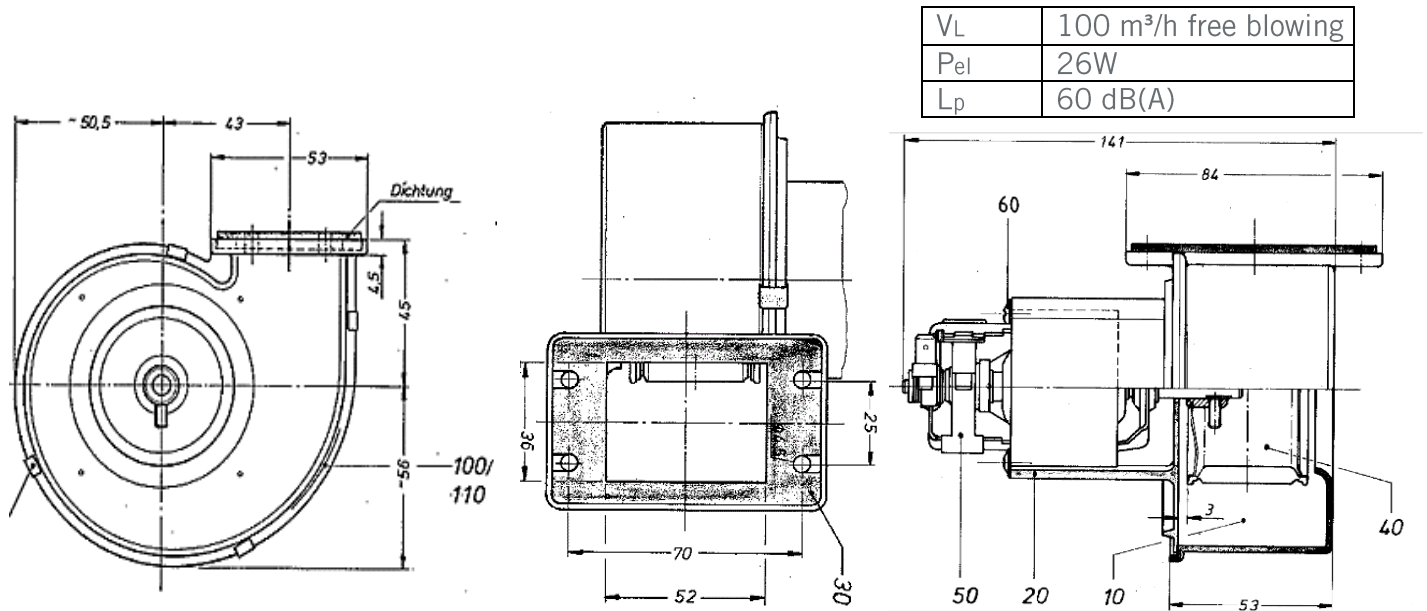
Blowers RG 100 12V & 24V

Aurora's Radial Blower is built with a powerful electro motor for high efficiency and a long lifetime performance. Aurora's Radial Blowers contain a high air flow versus system resistance proportion. All radial blowers have flange seals made out of cellular rubber. The RG 100 Counterclockwise comes in 12 or 24 volt options and is extremely space efficient.

| Specifications | |
|---|----------------------------------|
| Housing: 35% glass fiber polyamide PA6 | |
| Airflow: 100 m ³ /h (58 cfm) | |
| Nominal voltage: 12 or 24 Volt | |
| Weight: ~0.45 kg (1 lb.) | |
| Technical Data | |
| 912-100-0583 | |
| Variations | |
| Part Number | Description |
| 132-101-0000 | 12V - Standard |
| 132-102-0000 | 24V - Standard |
| 132-101-0002 | 12V - Adaptor \varnothing 65mm |
| 132-102-0002 | 24V - Adaptor \varnothing 65mm |



Technical Drawing and Information



Blowers RG 120 12V & 24V

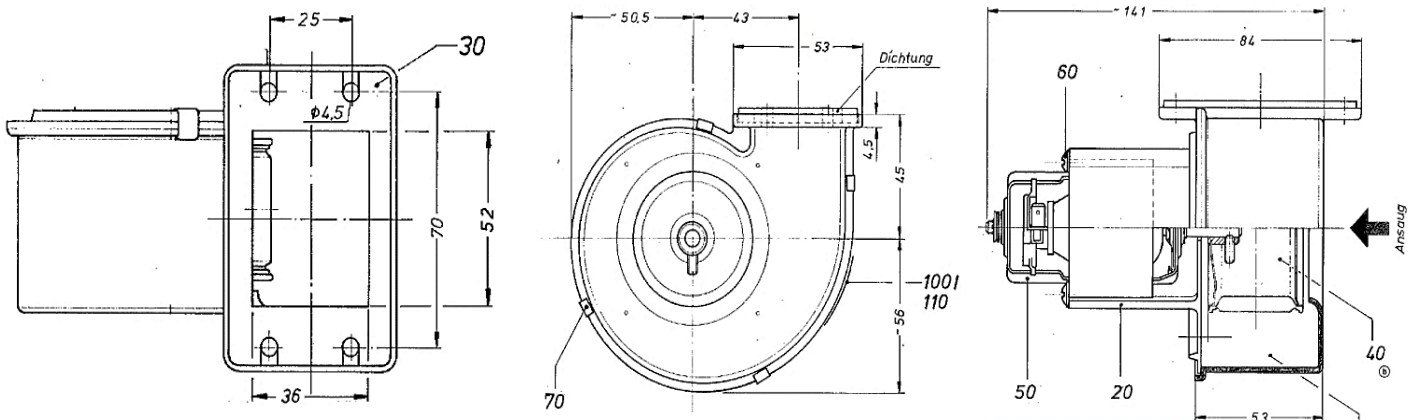
Aurora's Radial Blowers are built with powerful electric motors for high efficiency throughout a long lifetime of performance. The blowers have a high air flow vs. system resistance proportion. All models have flange seals made out of cellular rubber. Powerful electric motor with excellent durability.

| Specifications | |
|---|------------------------------|
| Housing: 35% glass fiber polyamide PA6 | |
| Airflow: 120 m ³ /h (70 cfm) | |
| Nominal voltage: 12 or 24 Volt | |
| Weight: ~0.5 kg (1.1 lbs.) | |
| Technical Data | |
| 912-100-0583 | |
| Variations | |
| Part Number | Description |
| 132-121-0000 | 12V Standard |
| 132-121-0001 | 12V Standard w/ Adaptor 65Ø |
| 132-122-0000 | 24V Standard |
| 132-122-0001 | 24V Standard w/ Adaptor Ø 65 |
| 132-122-0001 | 24V w/ Adaptor Ø 65 and Flap |



Technical Drawing and Information

| | |
|-----------------|------------------------------------|
| V _L | 120 m ³ /h free blowing |
| P _{eI} | 55W |
| L _p | 66 dB(A) |



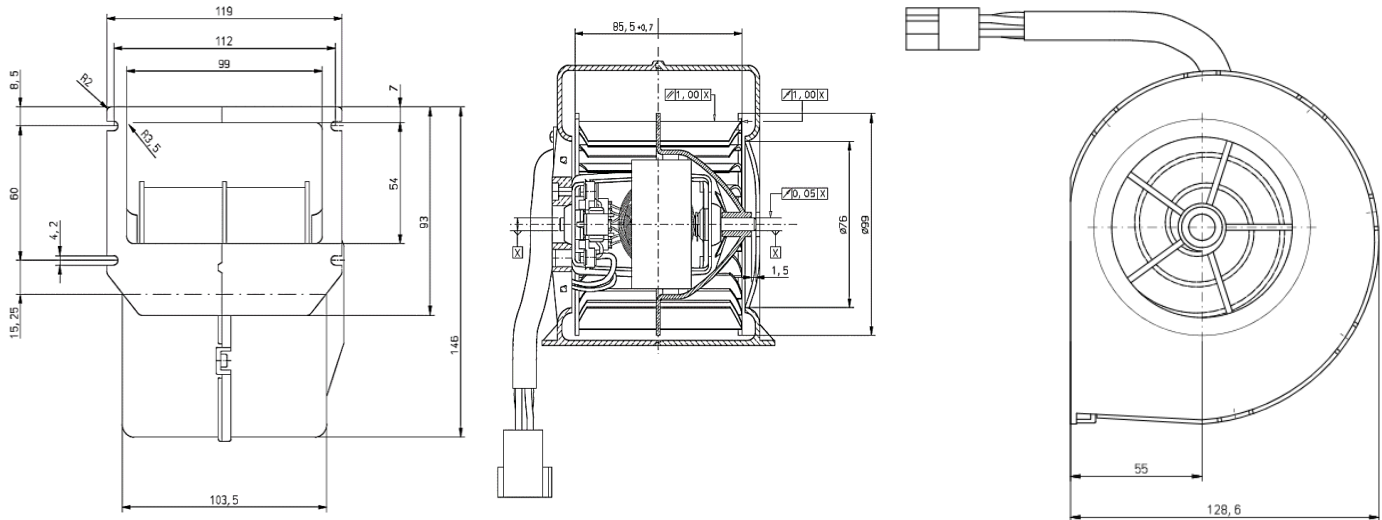
Blowers RG 300 12V & 24V

Aurora's RG 300 has a compact design with high power density resulting in maximum efficiency with minimal dimensions. Our family of Radial Blowers are built with a powerful electro motor to boost high efficiency over a long lifetime of performance. Aurora's Blowers contain a high air flow versus system resistance proportion. All radial blowers have flange seals made out of cellular rubber.

| Specifications | |
|--|---------------|
| Housing: 35% glass fiber polyamide PA6 | |
| Airflow: 300 m³/h (176 cfm) | |
| Nominal voltage: 12 or 24 Volt | |
| Weight: ~ 0.87 kg (1.92 lbs.) | |
| Technical Data | |
| 913-300-0004 | |
| Variations | |
| Part Number | Description |
| 132-901-0010 | 12V - 3 Speed |
| 132-902-0010 | 24V - 3 Speed |



Technical Drawing and Information



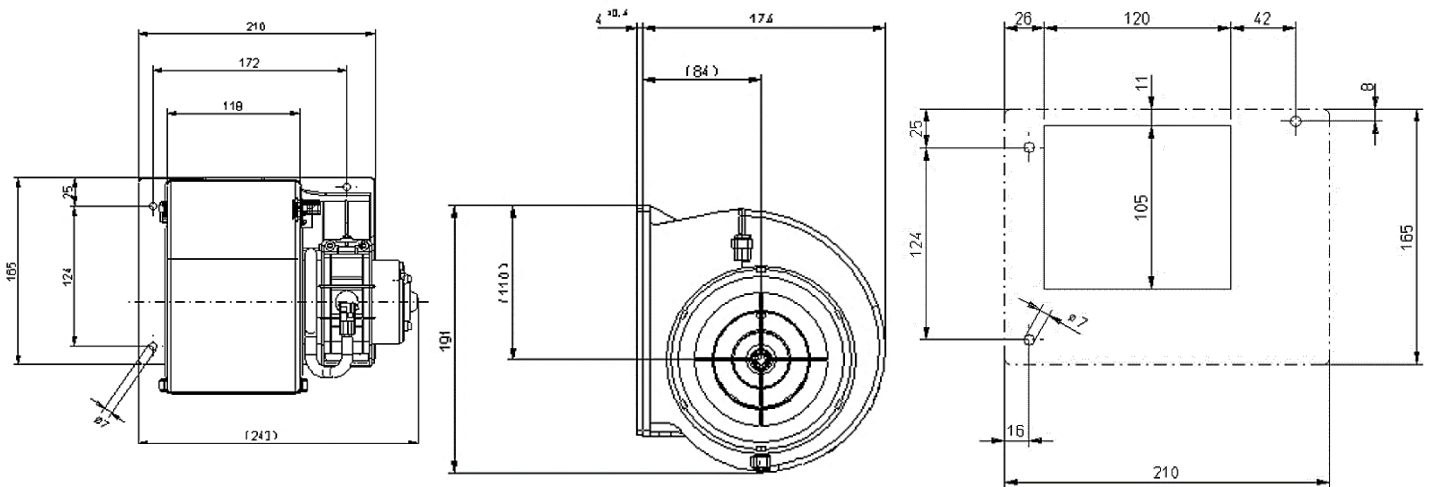
Blowers RG 780 12V & 24V

Aurora's Radial Blowers are built with powerful electric motors for high efficiency throughout a long lifetime of performance. The blowers have a high air flow vs. system resistance proportion. All radial blowers have flange seals made out of cellular rubber. Our family of Radial Blowers are built with a powerful electro motor to boost high efficiency over a long lifetime of performance.

| Specifications | |
|--|----------------|
| Housing: 35% glass fiber polyamide PA6 | |
| Airflow: 780 m ³ /h (459 cfm) | |
| Nominal voltage: 12 or 24 Volt | |
| Weight: ~2 kg (4.41 lbs.) | |
| Technical Data | |
| 912-100-0579 | |
| Variations | |
| Part Number | Description |
| 132-901-0400 | 12V - Standard |
| 132-901-0403 | 12V - 3 Speed |
| 132-901-0405 | 12V - 4 Speed |
| 132-902-0400 | 24V - Standard |
| 132-902-0403 | 24V - 3 Speed |
| 132-902-0405 | 24V - 4 Speed |



Technical Drawing and Information



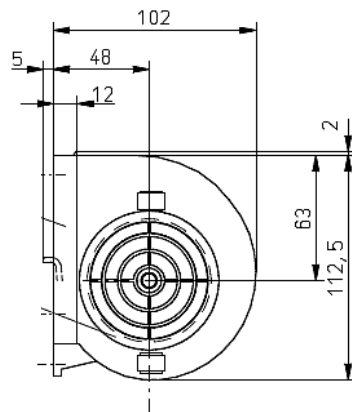
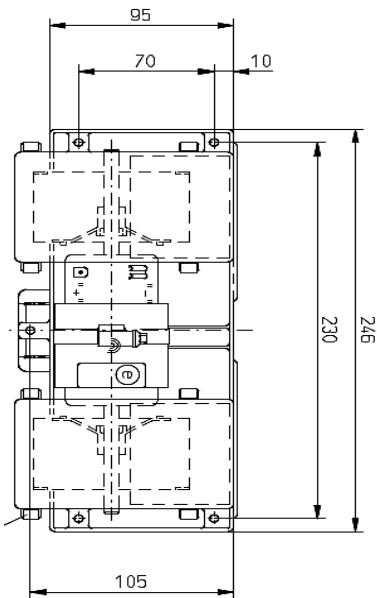
Blowers DRG 370 12V & 24V

Aurora's Double Radial Blower (DRG) design incorporates high performance, low noise, and long life. The compact DRG 370 design produces 370 m³/h (224 cfm) of airflow and utilizes longer brushes and internal resistors extending the life of the blowers. Blower speeds are regulated via a series resistor with ceramic heat sink and micro-temperature-fusing.

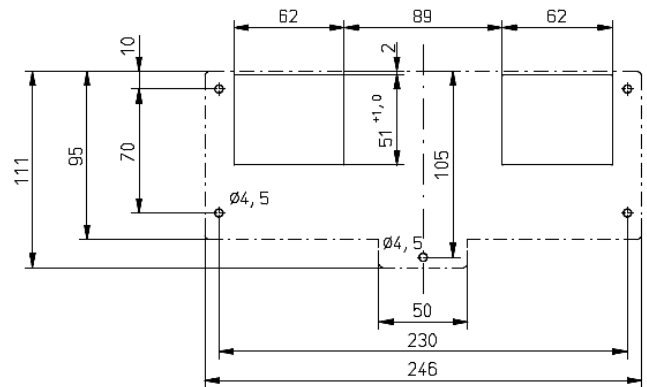
| Specifications | |
|--|----------------|
| Housing: 35% glass fiber polyamide PA6 | |
| Airflow: 370 m ³ /h (224 cfm) | |
| Nominal voltage: 12 or 24 Volt | |
| Weight: ~1.2 kg (2.65 lbs.) | |
| Technical Data | |
| 912-100-0562 | |
| Variations | |
| Part Number | Description |
| 131-101-0061 | 12V - Standard |
| 131-101-0063 | 12V - 1 Speed |
| 131-101-0062 | 12V - 2 Speed |
| 131-101-0064 | 12V - 3 Speed |
| 131-102-0061 | 24V - Standard |
| 131-102-0063 | 24V - 1 Speed |
| 131-102-0062 | 24V - 2 Speed |
| 131-102-0064 | 24V - 3 Speed |



Technical Drawing and Information



| | Speed 1 | Speed 2 | Speed 3 |
|---------------------------|---------|---------|---------|
| Vair in m ³ /h | 215 | 290 | 380 |
| Pel in W | 71 | 102 | 135 |
| Lp in dB(A) | 65 | 69.5 | 75.5 |



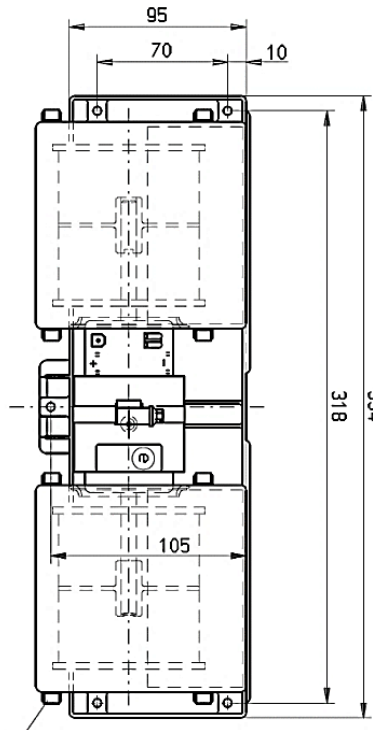
Blowers DRG 600 12V & 24V

Aurora's Double Radial Blower (DRG) design incorporates high performance, low noise, and long life. The compact DRG 600 design produces 620 m³/h (365 cfm) of airflow and utilizes longer brushes and internal resistors extending the life of the blowers. Blower speeds are regulated via a series resistor with ceramic heat sink and micro-temperature-fusing.

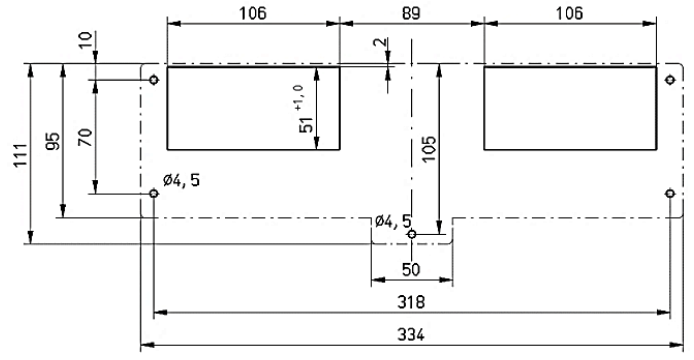
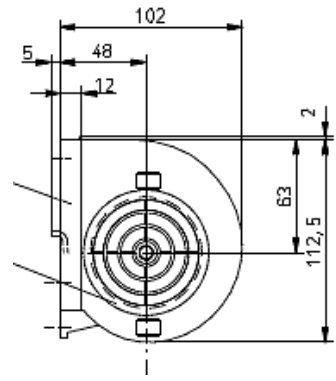
| Specifications | |
|--|----------------|
| Housing: 35% glass fiber polyamide PA6 | |
| Airflow: 620 m ³ /h (365 cfm) | |
| Nominal voltage: 12 or 24 Volt | |
| Weight: ~1.25 kg (2.76 lbs.) | |
| Technical Data | |
| 912-100-0627 | |
| Variations | |
| Part Number | Description |
| 131-201-0061 | 12V - Standard |
| 131-201-0069 | 12V - 1 Speed |
| 131-201-0068 | 12V - 2 Speed |
| 131-201-0070 | 12V - 3 Speed |
| 131-202-0061 | 24V - Standard |
| 131-202-0069 | 24V - 1 Speed |
| 131-202-0068 | 24V - 2 Speed |
| 131-202-0070 | 24V - 3 Speed |



Technical Drawing and Information



| | Speed 1 | Speed 2 | Speed 3 |
|---------------------------|---------|---------|---------|
| Vair in m ³ /h | 310 | 430 | 620 |
| Pel in W | 65 | 105 | 190 |
| Lp ion dB(A) | 60 | 65 | 72.5 |



Blowers DRG 730 12V & 24V

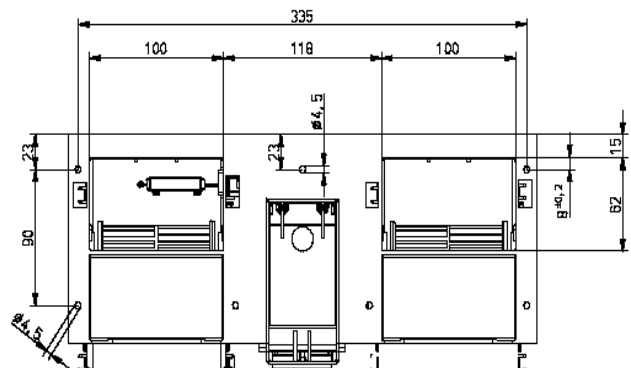
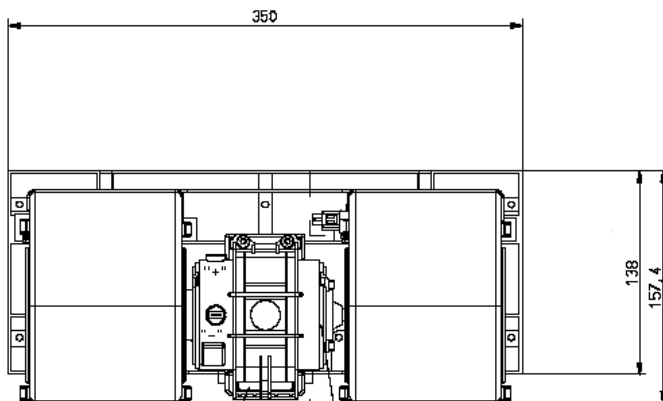
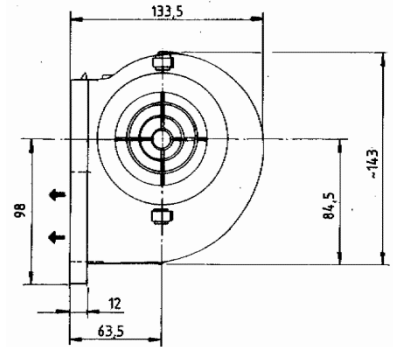
Aurora's Double Radial Blower (DRG) design incorporates high performance, low noise, and long life. The compact DRG 730 design produces 770 m³/h (453 cfm) of airflow and utilizes longer brushes and internal resistors extending the life of the blowers. Blower speeds are regulated via a series resistor with ceramic heat sink and micro-temperature-fusing.

| Specifications | |
|--|----------------|
| Housing: 35% glass fiber polyamide PA6 | |
| Airflow: 770 m ³ /h (453 cfm) | |
| Nominal voltage: 12 or 24 Volt | |
| Weight: ~1.75 kg (3.86 lbs) | |
| Technical Data | |
| 912-100-0552 | |
| Variations | |
| Part Number | Description |
| 131-301-0000 | 12V - Standard |
| 131-301-0001 | 12V - 1 Speed |
| 131-301-0002 | 12V - 2 Speed |
| 131-301-0003 | 12V - 3 Speed |
| 131-302-0000 | 24V - Standard |
| 131-302-0001 | 24V - 1 Speed |
| 131-302-0002 | 24V - 2 Speed |
| 131-302-0003 | 24V - 3 Speed |



Technical Drawing and Information

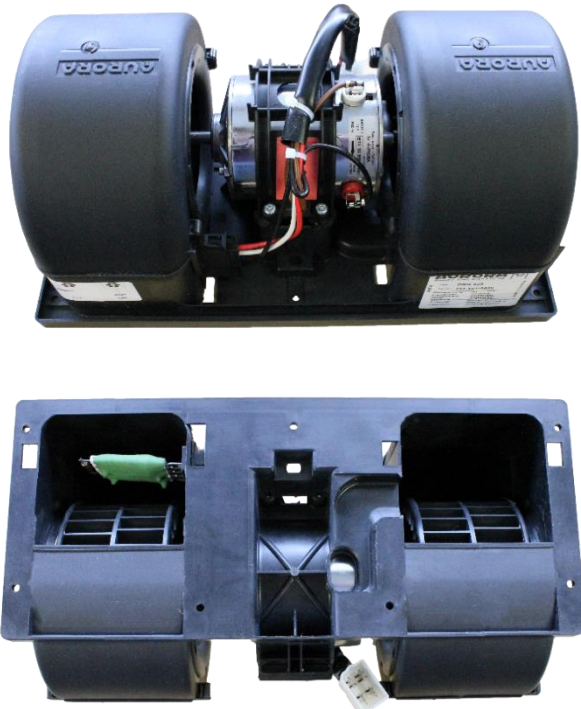
| | Speed 1 | Speed 2 | Speed 3 |
|---------------------------|---------|---------|---------|
| Vair in m ³ /h | 300 | 540 | 770 |
| Pel in W | 75 | 160 | 265 |
| Lp in dB(A) | 55 | 66 | 73 |



Blowers DRG 825 12V & 24V

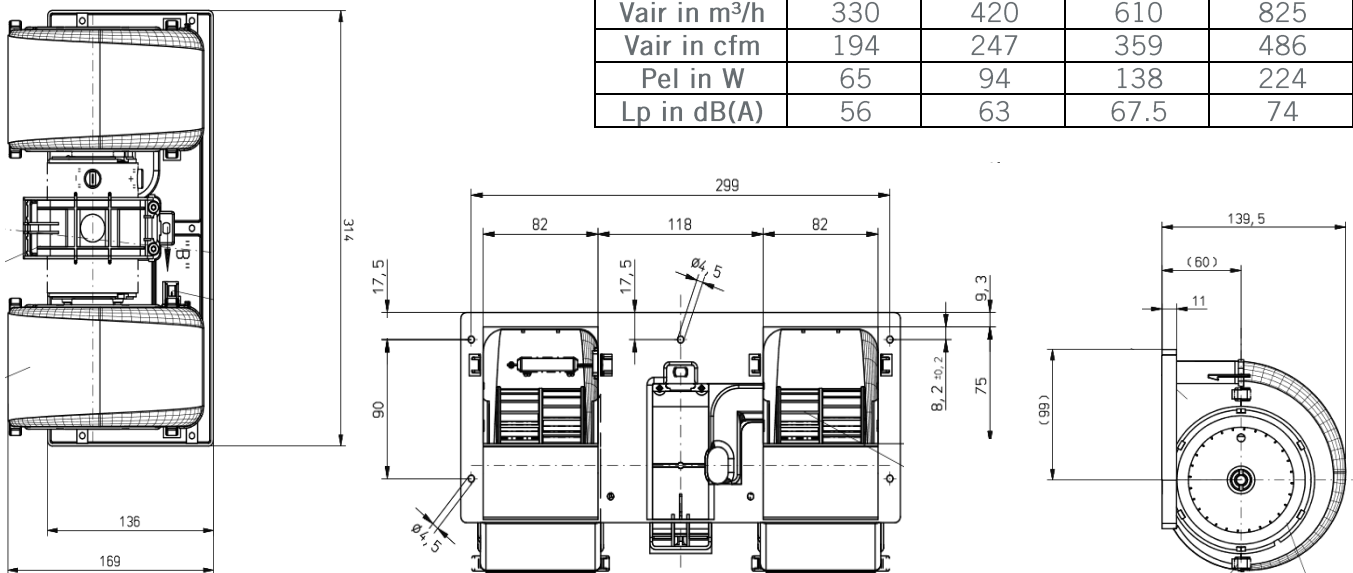
Aurora's Double Radial Blower (DRG) design incorporates high performance, low noise, and long life. The compact DRG 825 design produces 825 m³/h (486 cfm) of airflow and utilizes longer brushes and internal resistors extending the life of the blowers. Blower speeds are regulated via a series resistor with ceramic heat sink and micro-temperature-fusing.

| Specifications | |
|--|----------------|
| Housing: 35% glass fiber polyamide PA6 | |
| Airflow: 825 m ³ /h (486 cfm) | |
| Nominal voltage: 12 or 24 Volt | |
| Weight: 1.8 kg | |
| Technical Data | |
| 912-100-0599 | |
| Variations | |
| Part Number | Description |
| 131-401-0400 | 12V - Standard |
| 131-401-0001 | 12V - 1 Speed |
| 131-401-0402 | 12V - 2 Speed |
| 131-401-0403 | 12V - 3 Speed |
| 131-402-0400 | 24V - Standard |
| 131-402-0001 | 24V - 1 Speed |
| 131-402-0402 | 24V - 2 Speed |
| 131-402-0403 | 24V - 3 Speed |
| 131-402-0450 | 24V - 4 Speed |



Technical Drawing and Information

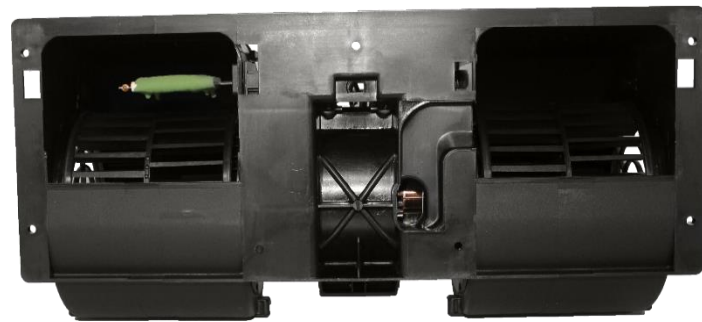
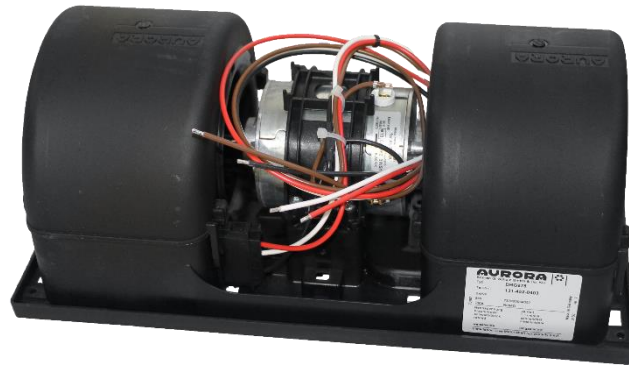
| | Speed 1 | Speed 2 | Speed 3 | Speed 4 |
|---------------------------|---------|---------|---------|---------|
| Vair in m ³ /h | 330 | 420 | 610 | 825 |
| Vair in cfm | 194 | 247 | 359 | 486 |
| Pel in W | 65 | 94 | 138 | 224 |
| Lp in dB(A) | 56 | 63 | 67.5 | 74 |



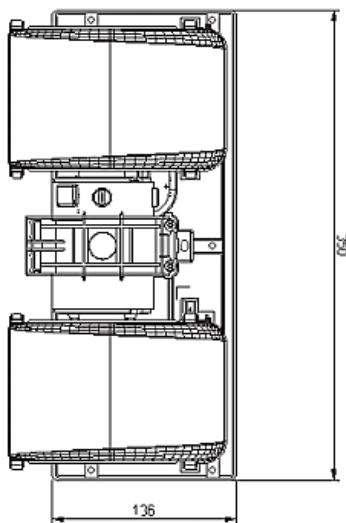
Blowers DRG 975 12V & 24V

Aurora's Double Radial Blower (DRG) design incorporates high performance, low noise, and long life. The compact DRG 975 design produces 1000 m³/h (589 cfm) of airflow and utilizes longer brushes and internal resistors extending the life of the blowers. Blower speeds are regulated via a series resistor with ceramic heat sink and micro-temperature-fusing.

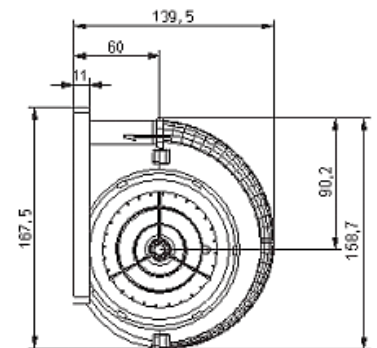
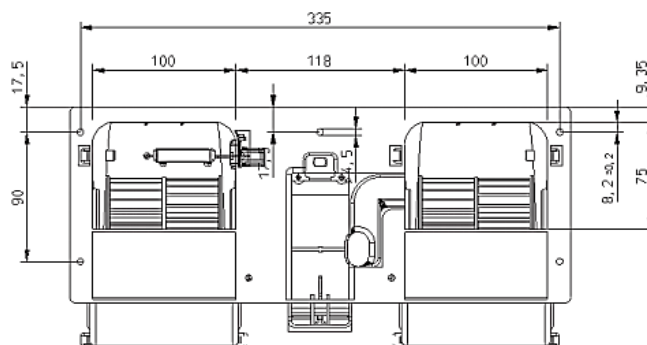
| Specifications | |
|---|----------------|
| Housing: 35% glass fiber polyamide PA6 | |
| Airflow: 1000 m ³ /h (589 cfm) | |
| Nominal voltage: 12 or 24 Volt | |
| Weight: 2.1 kg | |
| Technical Data | |
| 912-100-0598 | |
| Variations | |
| Part Number | Description |
| 131-451-0400 | 12V - Standard |
| 131-451-0101 | 12V - 1 Speed |
| 131-451-0402 | 12V - 2 Speed |
| 131-451-0403 | 12V - 3 Speed |
| 131-451-0450 | 12V - 4 Speed |
| 131-452-0400 | 24V - Standard |
| 131-452-0101 | 24V - 1 Speed |
| 131-452-0115 | 24V - EGS |
| 131-452-0402 | 24V - 2 Speed |
| 131-452-0403 | 24V - 3 Speed |
| 131-452-0450 | 24V - 4 Speed |



Technical Drawing and Information



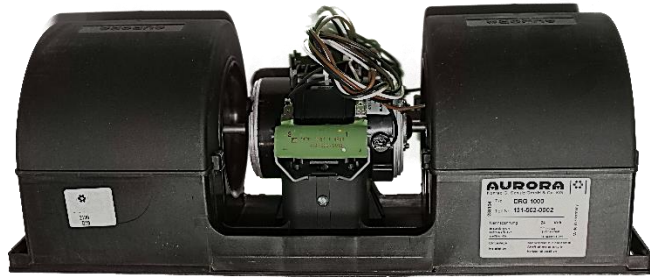
| | Speed 1 | Speed 2 | Speed 3 | Speed 4 |
|---------------------------|---------|---------|---------|---------|
| Vair in m ³ /h | 410 | 570 | 690 | 1000 |
| Vair in cfm | 241 | 335 | 353 | 588 |
| Pel in W | 68 | 108 | 150 | 270 |
| Lp in dB(A) | 56.5 | 62 | 67 | 76 |



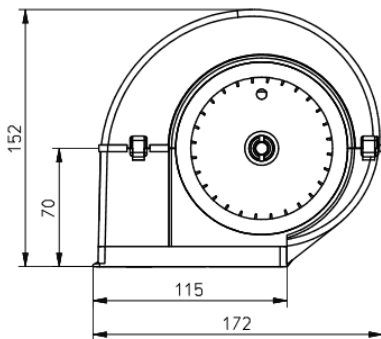
Blowers DRG 1000 12V & 24V

AURORA Twin Radial Blower DRG 1000 is perfect for heating, AC, and ventilation. Its powerful electro motor has high efficiency and a long lifetime of performance. AURORA Twin Radial Blower contains a high air flow vs. system resistance proportion. Blower speeds are regulated via a series resistor with ceramic heat sink and micro-temperature-fusing.

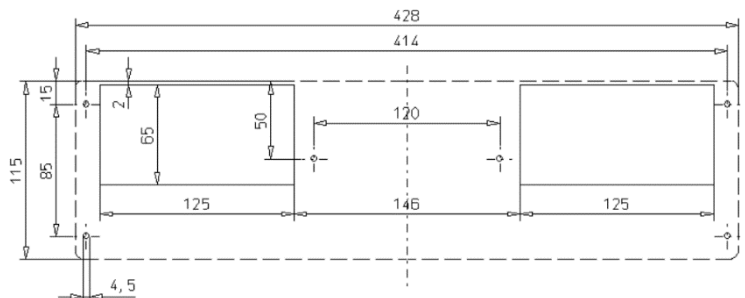
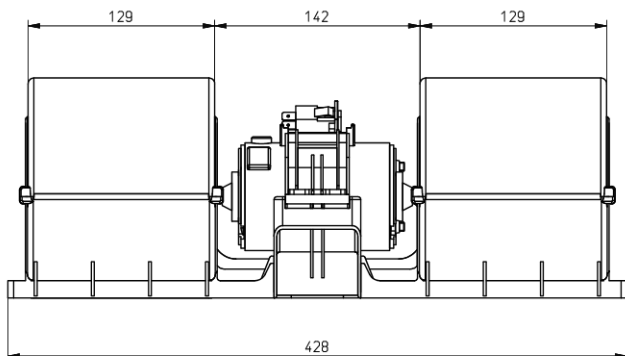
| Specifications | |
|---|----------------|
| Housing: 35% glass fiber polyamide PA6 | |
| Airflow: 1100 m ³ /h (647 cfm) | |
| Nominal voltage: 12 or 24 Volt | |
| Weight: ~2.25 kg (4.96 lbs.) | |
| Technical Data | |
| 912-100-0551 | |
| Variations | |
| Part Number | Description |
| 131-501-0000 | 12V - Standard |
| 131-501-0001 | 12V - 1 Speed |
| 131-501-0002 | 12V - 2 Speed |
| 131-501-0003 | 12V - 3 Speed |
| 131-502-0000 | 24V - Standard |
| 131-502-0001 | 24V - 1 Speed |
| 131-502-0002 | 24V - 2 Speed |
| 131-502-0003 | 24V - 3 Speed |



Technical Drawing and Information



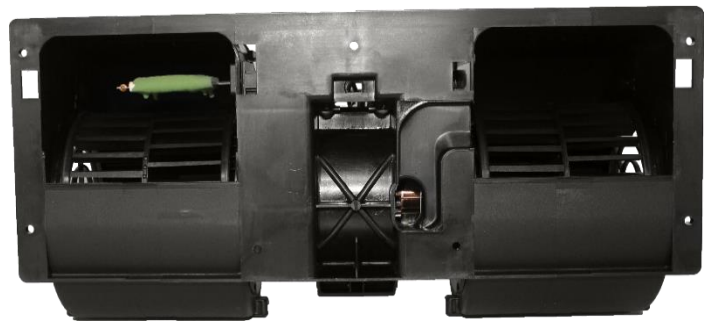
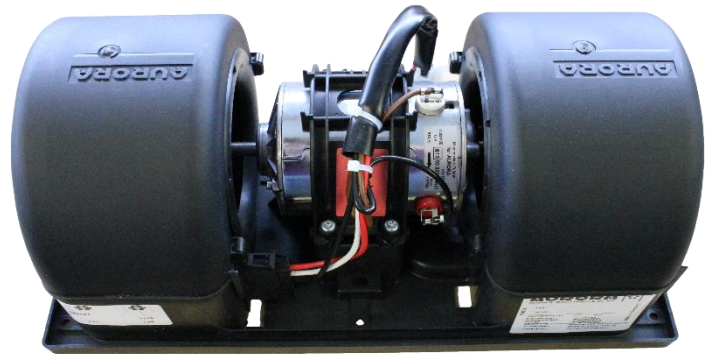
| | Speed 1 | Speed 2 | Speed 3 |
|---------------------------|---------|---------|---------|
| Vair in m ³ /h | 480 | 780 | 1100 |
| Pel in W | 282 | 459 | 589 |
| Lp in dB(A) | 54 | 64.5 | 71.5 |



Blowers DRG 1025 12V & 24V

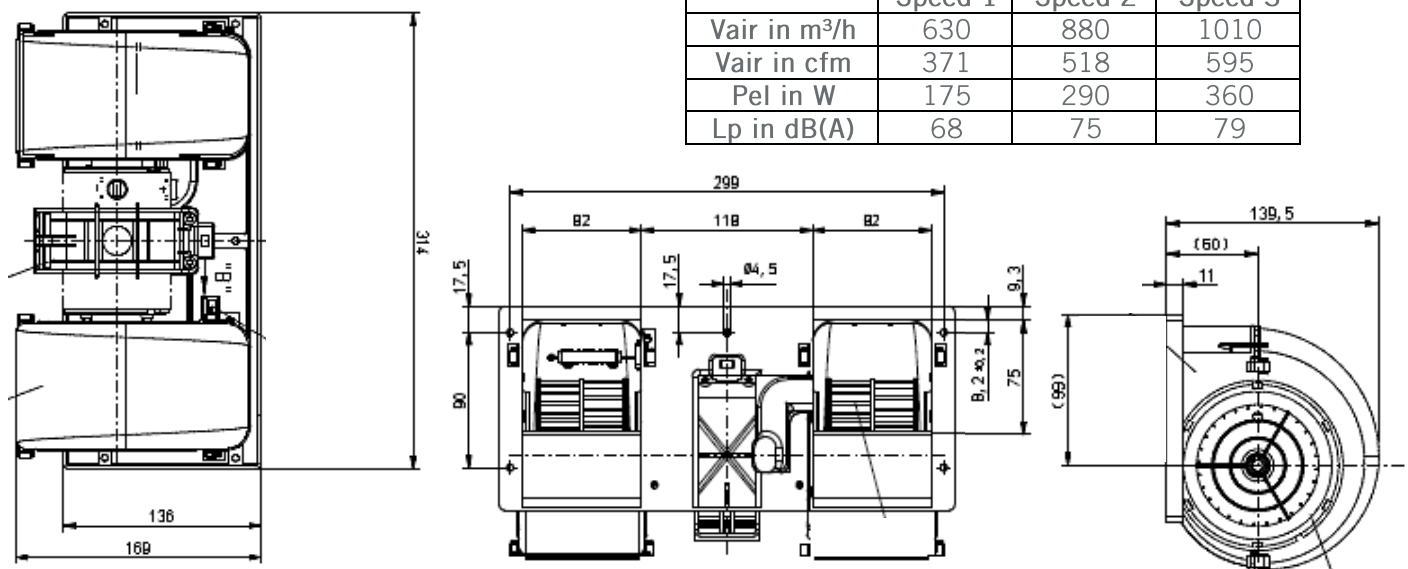
Aurora's Double Radial Blower (DRG) design incorporates high performance, low noise, and long life. These products are compact blowers with high air volume flow. The DRG 1025 is based on the well-proven twin radial blower DRG 825. The difference lies in the 1025's a more powerful motor. Blower speeds are regulated via a series resistor with ceramic heat sink and micro-temperature-fusing.

| Specifications | |
|---|---------------------------------|
| Housing: 35% glass fiber polyamide PA6 | |
| Airflow: 1000 m ³ /h (588 cfm) | |
| Nominal voltage: 12 or 24 Volt | |
| Technical Data | |
| 912-100-0845 | |
| Variations | |
| Part Number | Description |
| 131-471-0100 | 12V - Standard |
| 131-471-0101 | 12V - 1 Speed |
| 131-471-0402 | 12V - 2 Speed |
| 131-471-0400 | 12V - Standard w/ Oval Resistor |
| 131-471-0405 | 12V - 3 Speed w/ Oval Resistor |
| 131-471-0401 | 12V - 4 Speed w/ Oval Resistor |
| 131-472-0100 | 24V - Standard |
| 131-472-0101 | 24V - 1 Speed |
| 131-471-0400 | 24V - Standard w/ Oval Resistor |
| 131-472-0402 | 24V - 2 Speed |
| 131-472-0405 | 24V - 3 Speed |
| 131-472-0401 | 24V - 4 Speed |



Technical Drawing and Information

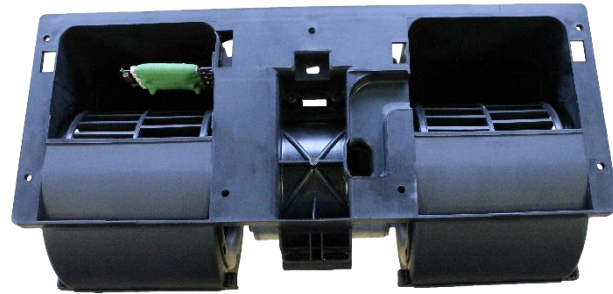
| | Speed 1 | Speed 2 | Speed 3 |
|---------------------------|---------|---------|---------|
| Vair in m ³ /h | 630 | 880 | 1010 |
| Vair in cfm | 371 | 518 | 595 |
| Pel in W | 175 | 290 | 360 |
| Lp in dB(A) | 68 | 75 | 79 |



Blowers DRG 1150 12V & 24V

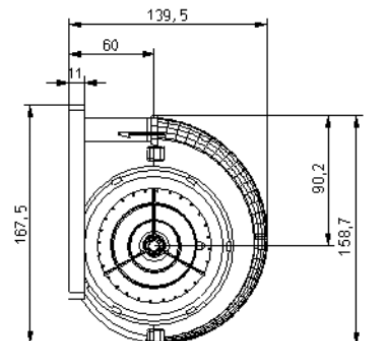
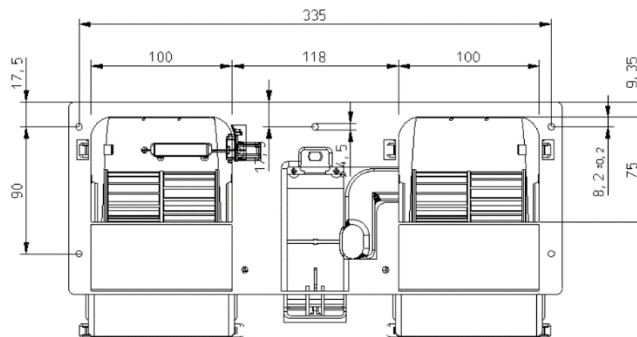
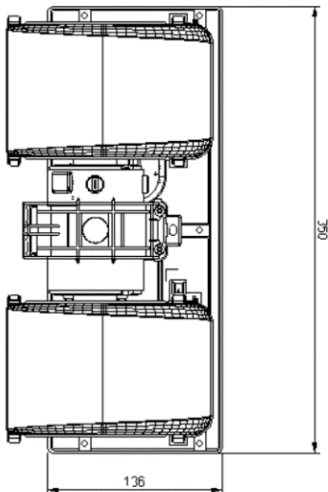
Aurora's Twin Radial Blower DRG 1150 is perfect for heating, air conditioning, and ventilation. The blower is built with a powerful electric motor for high efficiency over a long lifetime of performance. Aurora's Twin Radial Blower contains a high air flow vs. system resistance proportion. Blower speeds via series resistor with ceramic heat sink and micro-temperature-fusing.

| Specifications | |
|---|----------------|
| Housing: 35% glass fiber polyamide PA6 | |
| Airflow: 1150 m ³ /h (694 cfm) | |
| Nominal voltage: 12 or 24 Volt | |
| Weight: 2.35 kg (5.19 lbs.) | |
| Technical Data | |
| 912-100-0577 | |
| Variations | |
| Part Number | Description |
| 131-571-0400 | 12V - Standard |
| 131-571-0101 | 12V - 1 Speed |
| 131-571-0402 | 12V - 2 Speed |
| 131-571-0403 | 12V - 3 Speed |
| 131-571-0450 | 12V - 4 Speed |
| 131-572-0400 | 24V - Standard |
| 131-572-0101 | 24V - 1 Speed |
| 131-572-0402 | 24V - 2 Speed |
| 131-572-0403 | 24V - 3 Speed |
| 131-572-0450 | 24V - 4 Speed |



Technical Drawing and Information

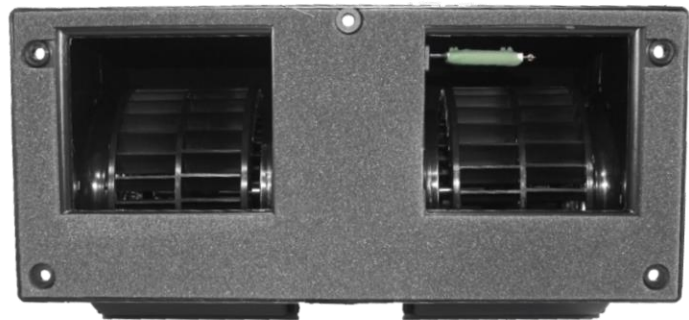
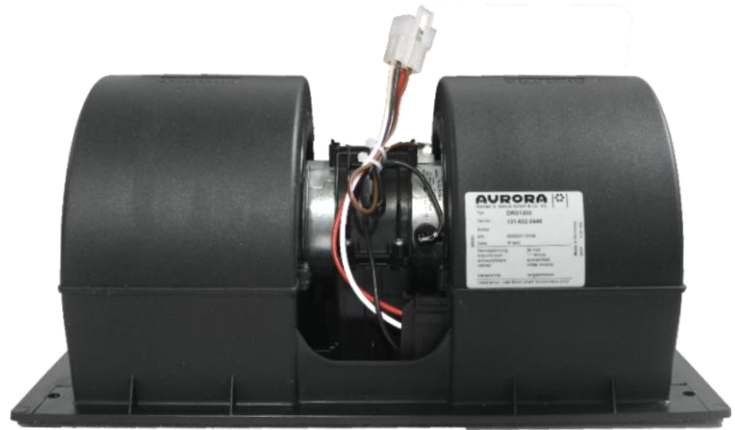
| | Speed 1 | Speed 2 | Speed 3 | Speed 4 |
|---------------------------|---------|---------|---------|---------|
| Vair in m ³ /h | 480 | 600 | 790 | 1180 |
| Vair in cfm | 282 | 353 | 465 | 694 |
| Pel in W | 81 | 120 | 195 | 350 |
| Lp in dB(A) | 59 | 65 | 67.5 | 76.5 |



Blowers DRG 1200 12V & 24V

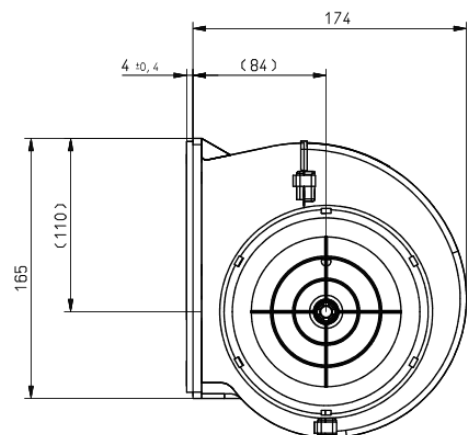
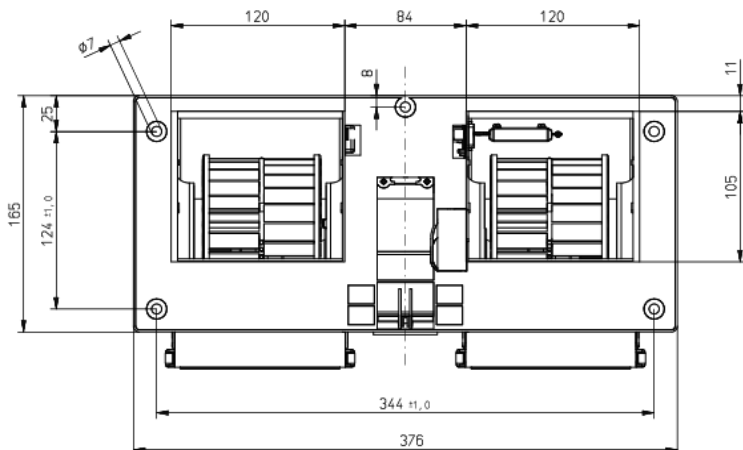
AURORA Twin Radial Blower DRG 1200 is perfect for heating, AC, and ventilation. Its powerful electric motor has high efficiency and a long lifetime of performance. AURORA Twin Radial Blowers contain a high air flow vs. system resistance proportion. Blower speeds are regulated via a series resistor with ceramic heat sink and micro-temperature-fusing.

| Specifications | |
|---|----------------|
| Housing: 35% glass fiber polyamide PA6 | |
| Airflow: 1200 m ³ /h (736 cfm) | |
| Nominal voltage: 12 or 24 Volt | |
| Weight: ~2.54 kg (6 lbs.) | |
| Technical Data | |
| 912-100-0578 | |
| Variations | |
| Part Number | Description |
| 131-601-0400 | 12V - Standard |
| 131-601-0101 | 12V - 1 Speed |
| 131-601-0402 | 12V - 2 Speed |
| 131-601-0403 | 12V - 3 Speed |
| 131-602-0400 | 24V - Standard |
| 131-602-0101 | 24V - 1 Speed |
| 131-602-0146 | 24V - EGS |
| 131-602-0402 | 24V - 2 Speed |
| 131-602-0403 | 24V - 3 Speed |
| 131-602-0450 | 24V - 4 Speed |



| | Speed 1 | Speed 2 | Speed 3 | Speed 4 |
|---------------------------|---------|---------|---------|---------|
| Vair in m ³ /h | 470 | 675 | 800 | 1250 |
| Vair in cfm | 277 | 397 | 471 | 736 |
| Pel in W | 70 | 109 | 150 | 307 |
| Lp in dB(A) | 56 | 63 | 68 | 77 |

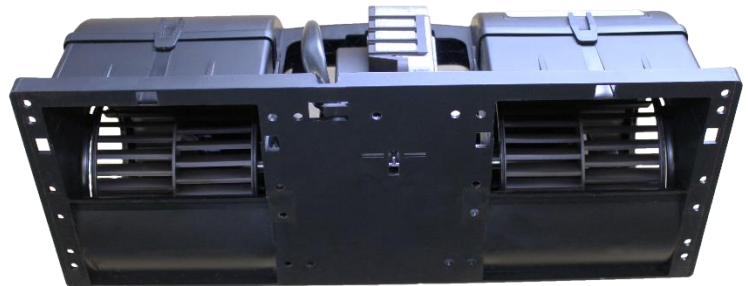
Technical Drawing and Information



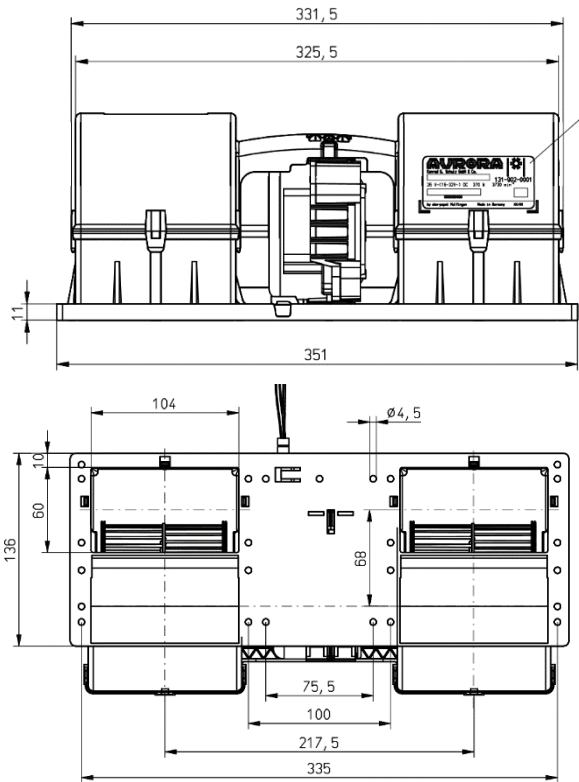
Blowers DRG EC 12V & 24V

Aurora's Double Radial Blower (DRG) design incorporates high performance, low noise, and long life. The twin radial blower DRG EC is infinitely adjustable and satisfy high comfort standards. The blower also has a high lifetime of over 25,000 operation hours. The twin radial blowers are very efficient with low noise emission. Used exclusively for air flow distribution in heaters, air conditioning units, and ventilation units. The DRG EC is generally suitable for all mounting positions and consists of a plastic housing, two fan wheels and a brushless DC motor with dual ball bearings.

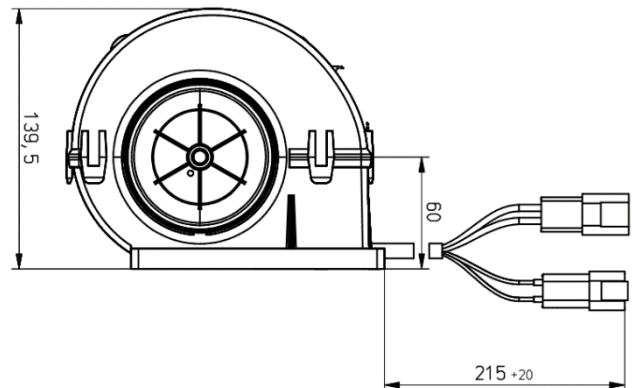
| Specifications | |
|---|----------------|
| Housing: 35% glass fiber polyamide PA6 | |
| Airflow: 1100 m ³ /h (224 cfm) | |
| Nominal voltage: 12 or 24 Volt | |
| Weight: ~2.5 kg (5.52 lbs.) | |
| Technical Data | |
| 912-100-0330 | |
| Variations | |
| Part Number | Description |
| 131-901-0001 | 12V - Standard |
| 131-902-0001 | 24V - Standard |



Technical Drawing and Information



| | 12V | 24V |
|---------------------------|------|------|
| Vair in m ³ /h | 1055 | 1100 |
| Pel in W | 280 | 370 |
| Lp in dB(A) | 67 | 73 |



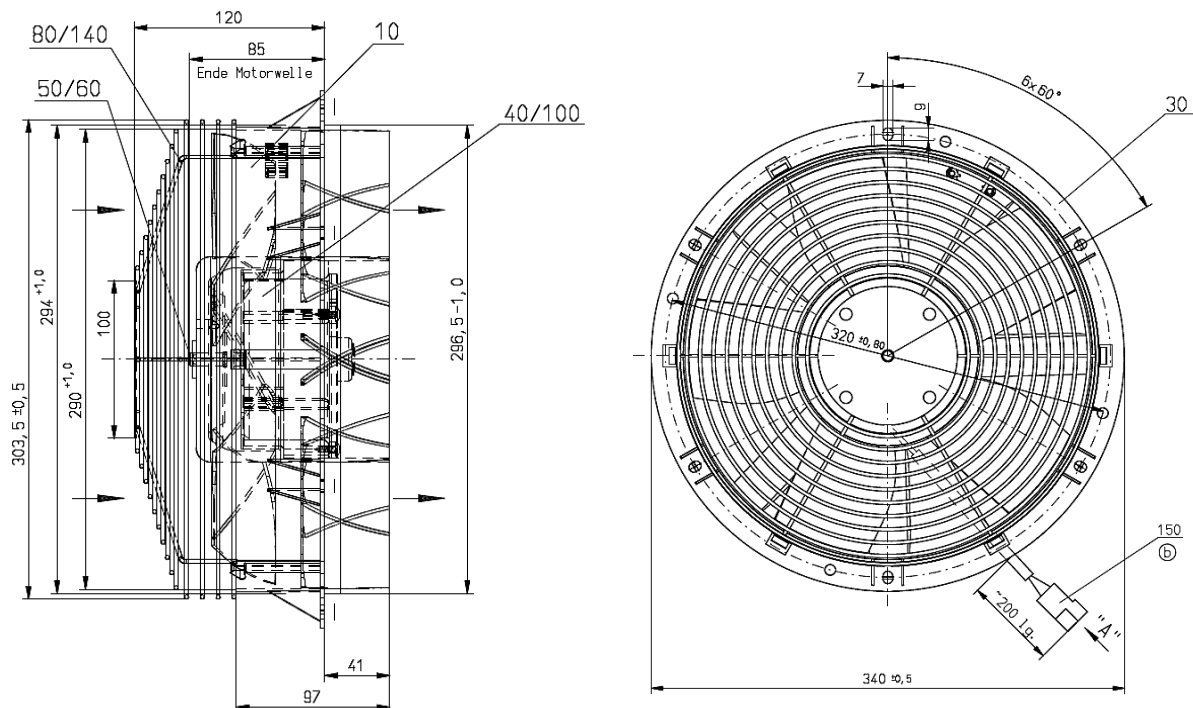
Ventilators Max Vent 5.286 12V & 24V

AURORA's Max Vent is a ventilator fan with or without a protective grill. This Vent was designed to provide high air flow with very low noise emissions. This fan can serve multiple purposes, including, but not limited to, acting as a rooftop fan for either ventilation or as a part of a roof top A/C unit, as a condenser fan, or as a cooling fan.

| Specifications | |
|---|-------------------------------|
| Wheels and Housing: PA6 35% glass fiber | |
| Air Flow: 2050 m ³ /h (1207 cfm) | |
| Power Consumption: 155W | |
| Sound Level: 77 dB(A) | |
| Weight: 2.5 kg (5.52 lbs) | |
| Technical Data | |
| 912-100-0728 | |
| Variations | |
| Part Number | Description |
| 134-701-0101 | Max Vent 5.286 12V with grill |
| 134-701-0103 | Max Vent 5.286 12V with grill |
| 134-701-0104 | Max Vent 5.286 12V |
| 134-702-0101 | Max Vent 5.286 24V with grill |
| 134-702-0102 | Max Vent 5.286 24V |
| 134-702-0104 | Max Vent 5.286 24V |
| 134-702-0113 | Max Vent 5.286 24V |
| 134-702-0114 | Max Vent 5.286 24V |



Technical Drawing



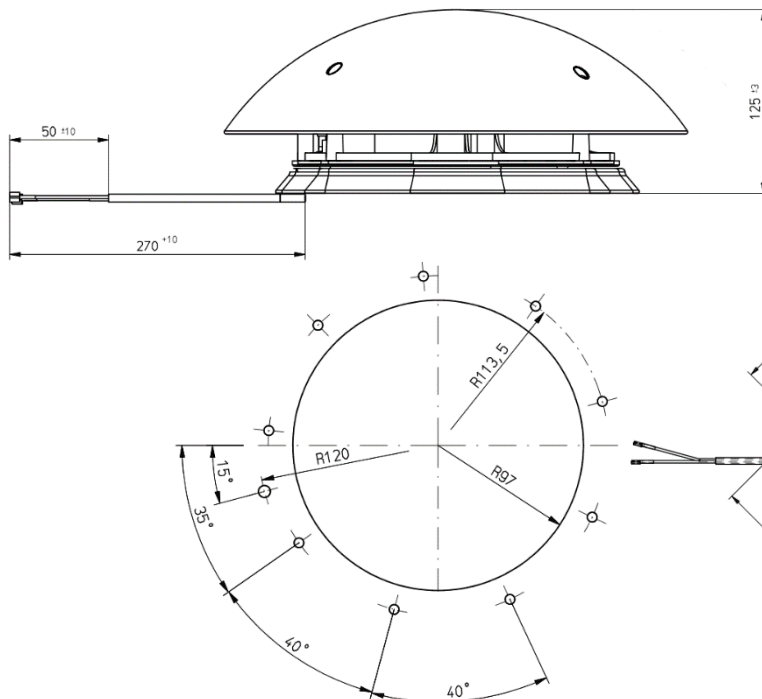
Hood Ventilator HV350

AURORA Hood ventilators are designed to efficiently and easily provide transit vehicles, cargo vans, and buses, with additional airflow. Most models are can be switched to either provide air intake or air extraction in any desired application. The plastic hood is constructed of polyamide PA6 35% glass fiber reinforced material to increase durability against the elements. These units are manufactured to specifications which reduce weight and noise emissions.

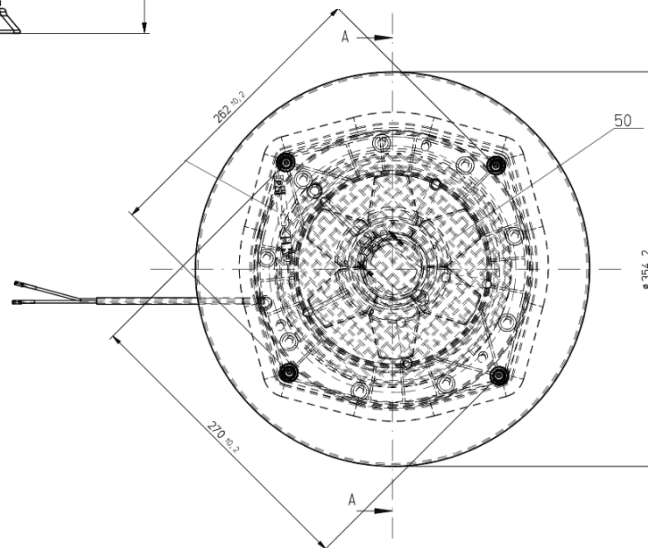
| Specifications | |
|--|---------------------------------------|
| Housing: 35% glass fiber polyamide PA6 | |
| Nominal Voltage: 12 and 24 Volt | |
| Technical Data | |
| 912-100-0282 / 912-100-0369* | |
| Variations | |
| Part Number | Description |
| 134-101-0000 | 12V Gray: Vent. and Exhaust w/ switch |
| 134-102-0000 | 24V Gray: Vent. and Exhaust w/ switch |
| 134-101-0001 | 12V Gray: Vent. or Exhaust |
| 134-102-0001 | 24V Gray: Ventilation or Exhaust |
| 134-101-0007 | 12V Silver: Ventilation or Exhaust |
| 134-101-0013* | 12V 2-speed Black: Vent. or Exhaust |
| 134-102-0013* | 24V 2-speed Black: Vent. or Exhaust |



Technical Drawing and Information



| | Standard | Speed 1* | Speed 2* |
|---------------------------|-----------|----------|----------|
| Vair in m ³ /h | 350 | 310 | 500 |
| Pel in W | 65 | 32 | 45 |
| Lp ion dB(A) | 62.5 - 67 | 70 | 75 |



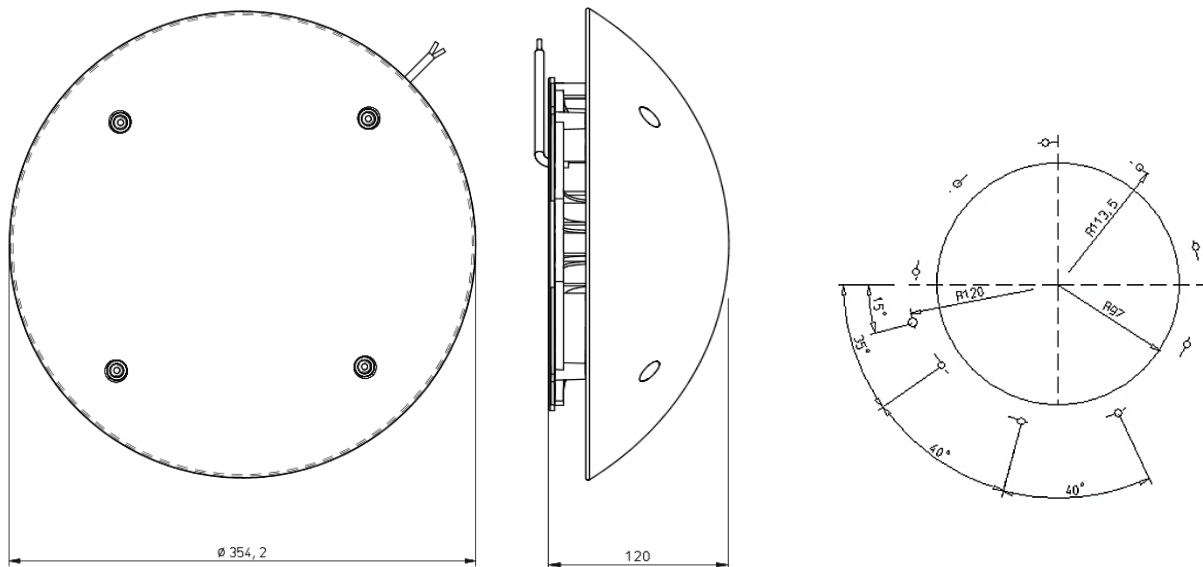
Hood Ventilator HV420

AURORA Hood ventilators are designed to efficiently and easily provide transit vehicles, cargo vans, and buses, with additional airflow. Most models are can be switched to either provide air intake or air extraction in any desired application. The plastic hood is constructed of polyamide PA6 35% glass fiber reinforced material to increase durability against the elements. These units are manufactured to specifications which reduce weight and noise emissions.

| Specifications | |
|---------------------------------|--------------|
| Nominal Voltage: 12 or 24 Volt | |
| Air Flow: 420 m ³ /h | |
| Sound Level: 67 dB(A) | |
| Weight: 1.8 kg (3.97 lbs.) | |
| Service Life > 10,000 hours | |
| Technical Data | |
| 912-100-0435 | |
| Variations | |
| Part Number | Description |
| 134-151-0000 | HV420-KB 12V |
| 134-151-0002 | HV420-KE 12V |
| 134-152-0000 | HV420-KB 24V |
| 134-152-0009 | HV420-KE 24V |



Technical Drawing and Information



Hood Ventilator HV500

AURORA Hood ventilators are designed to efficiently and easily provide transit vehicles, cargo vans, and buses, with additional airflow. Most models are can be switched to either provide air intake or air extraction in any desired application. The plastic hood is constructed of polyamide PA6 35% glass fiber reinforced material to increase durability against the elements. These units are manufactured to specifications which reduce weight and noise emissions.

| Materials and Specifications | |
|--|------------------|
| ABS Plastic | |
| Airflow: ~ 500m ³ /h | |
| Power Consumption: P _{el} ~ 45W | |
| Sound Level: Max 69 dB(A) | |
| Technical Data | |
| 912-100-0285 | |
| Variations | |
| Part Number | Description |
| 134-171-0012 | HV500-B+E 12V LC |
| 134-172-0012 | HV500-B+E 24V LC |



Technical Drawing and Information

