

Aurora Control Panels – Manual, Semi-Automatic, and Fully Automatic Temperature Control



Designed for Ultimate Customization, Ease of Operation, Multi-Function Integration, and Customer Satisfaction. For more information including pricing, availability, technical information and custom solutions, please contact our sales team or visit our website.

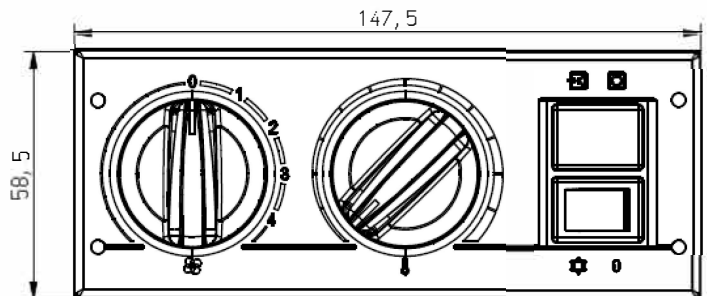
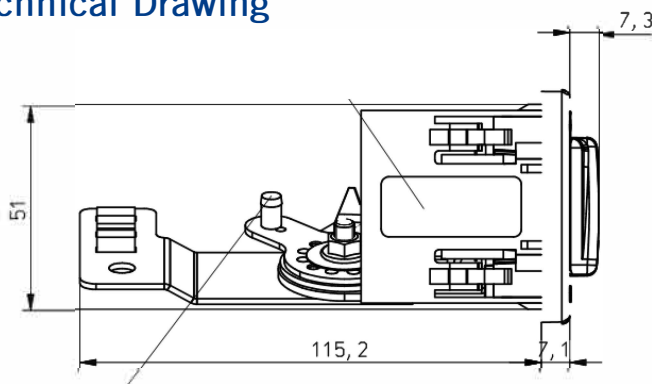
Control Panels Economy - CCM K

Aurora's line of Economy Control Panels is designed for the rough and tough operator. For this line, we've stripped out all the extra bells and whistles to give customers exactly what they need: simplicity and functionality. The CCM-K can have up to two rotary actuators and two rocker switches, all of which are mechanically manipulated (electronic versions available - see CCE Controls). The functions of these knobs and switches can be defined by the customer for specific operator requirements. Climate Control options are feasible with the addition of either an HCC control module or a 6-pol AMA actuator.

Blower Control	Switch
Set Temperature	Bowden Controls
Integrated Climate Control	No
Display	No
A/C	Yes
Defrost	No
Fresh Air / Circulating Air	Yes
Outside Temperature	No
Air Distribution Flap	No
2nd Air Distribution Flap	No
Automatic Climate Control	No
Infinitely Variable Blower	No (if applicable, by means of separate electronic blower control module)
Auxiliary Heating	No
Failure Code Readout	No
Diagnostics	No
Digital Inputs	-
Digital Outputs	-
Analogue Inputs	-
Analogue Outputs	-
Illuminated Symbols	Yes
Illuminated Rotary Actors	No
CAN-Bus	No
Specials	Climate control feasible by means of HCC or 6-pol AMA



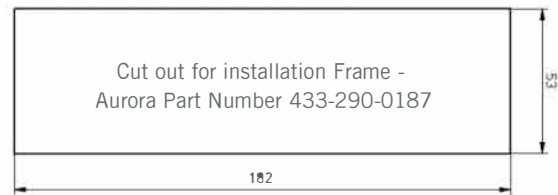
Technical Drawing



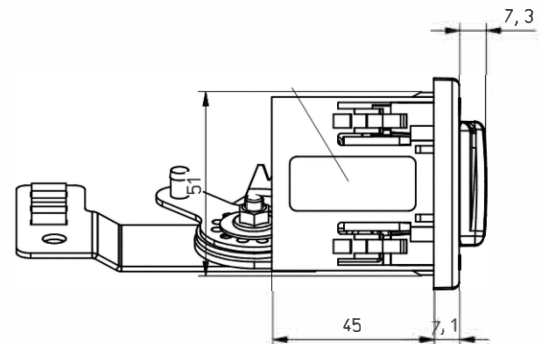
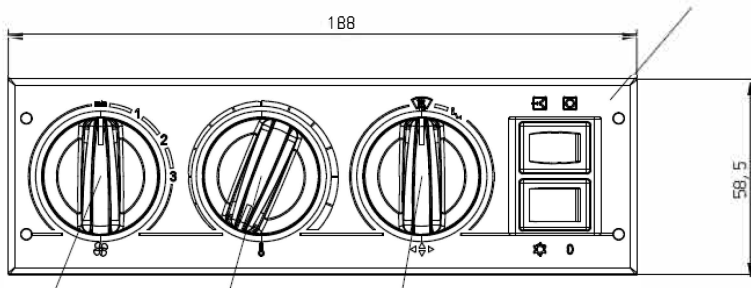
Control Panels Economy - CCM L

Aurora's line of Economy Control Panels is designed for the rough and tough operator. For this line, we've stripped out all the extra bells and whistles to give customers exactly what they need: simplicity and functionality. The CCM-L can have up to three rotary actuators and two rocker switches, all of which are mechanically manipulated (electronic versions available - see CCE Controls). The functions of these knobs and switches can be defined by the customer for specific operator requirements. Climate Control options are feasible with the addition of either an HCC control module or a 6-pol AMA actuator.

Blower Control	Switch
Set Temperature	Potentiometer
Integrated Climate Control	No
Display	No
A/C	Yes
Defrost	No
Fresh Air / Circulating Air	Yes
Outside Temperature	No
Air Distribution Flap	Yes
2nd Air Distribution Flap	No
Automatic Climate Control	No
Infinitely Variable Blower	No (if applicable, by means of separate electronic blower control module)
Auxiliary Heating	No
Failure Code Readout	No
Diagnostics	No
Digital Inputs	-
Digital Outputs	-
Analogue Inputs	-
Analogue Outputs	-
Illuminated Symbols	Yes
Illuminated Rotary Actors	No
CAN-Bus	No
Specials	climate control feasible by means of HCC or 6-pol AMA



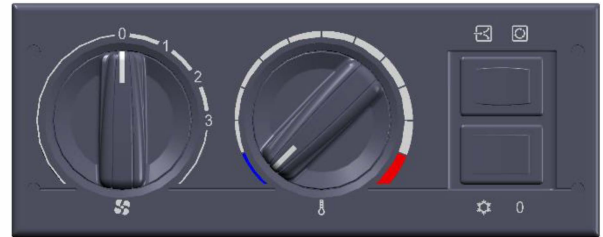
Technical Drawing



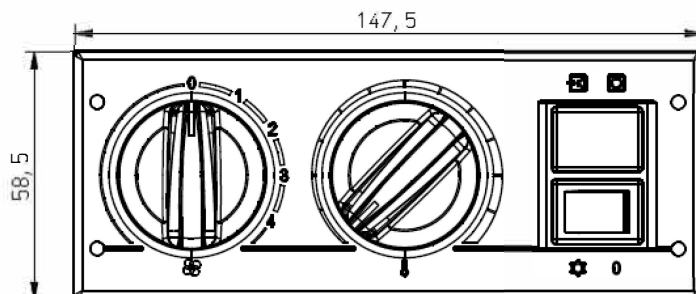
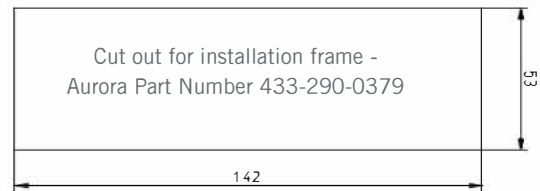
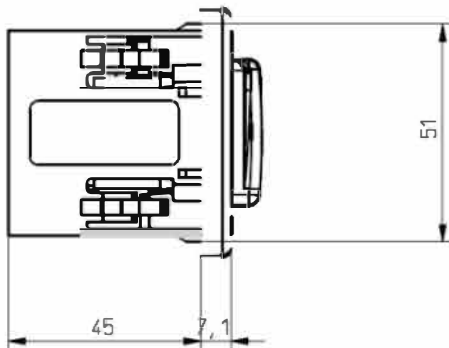
Control Panels Economy - CCE K

Aurora's line of Economy Control Panels is designed for the rough and tough operator. For this line, we've stripped out all the extra bells and whistles to give customers exactly what they need: simplicity and functionality. The CCE-K can have up to two rotary actuators and two rocker switches, all of which are electronically manipulated (for mechanical options - see CCM). The functions of these knobs and switches can be defined by the customer for specific operator requirements. Climate Control options are feasible with the addition of either an HCC control module or a 6-pol AMA actuator.

Blower Control	Switch
Set Temperature	Potentiometer
Integrated Climate Control	No
Display	No
A/C	Yes
Defrost	No
Fresh Air / Circulating Air	Yes
Outside Temperature	No
Air Distribution Flap	No
2nd Air Distribution Flap	No
Automatic Climate Control	No
Infinitely Variable Blower	No (if applicable, by means of separate electronic blower control module)
Auxiliary Heating	No
Failure Code Readout	No
Diagnostics	No
Digital Inputs	-
Digital Outputs	-
Analogue Inputs	-
Analogue Outputs	-
Illuminated Symbols	Yes
Illuminated Rotary Actors	No
CAN-Bus	No
Specials	Climate control feasible by means of HCC or 6-pol AMA



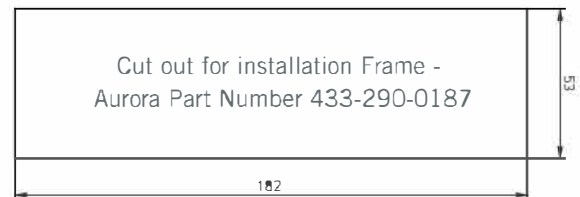
Technical Drawing



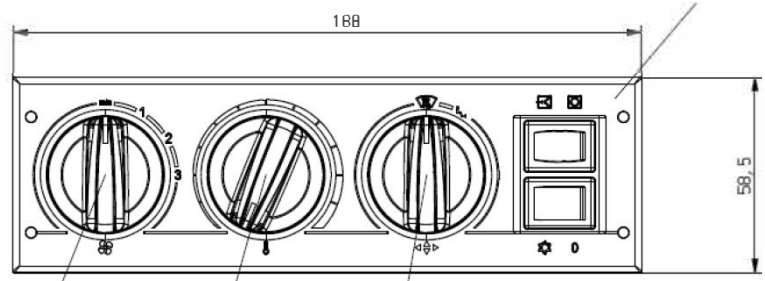
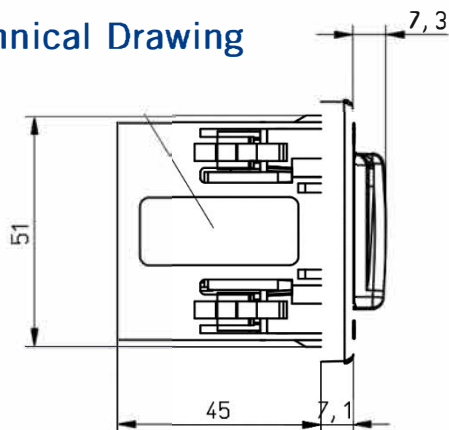
Control Panels Economy - CCE L

Aurora's line of Economy Control Panels is designed for the rough and tough operator. For this line, we've stripped out all the extra bells and whistles to give customers exactly what they need: simplicity and functionality. The CCE-L can have up to three rotary actuators and two rocker switches, all of which are electronically manipulated (for mechanical options - see CCM). The functions of these knobs and switches can be defined by the customer for specific operator requirements. Climate Control options are feasible with the addition of either an HCC control module or a 6-pol AMA actuator.

Blower Control	Switch
Set Temperature	Potentiometer
Integrated Climate Control	No
Display	No
A/C	Yes
Defrost	No
Fresh Air / Circulating Air	Yes
Outside Temperature	No
Air Distribution Flap	Yes
2nd Air Distribution Flap	No
Automatic Climate Control	No
Infinitely Variable Blower	No (if applicable, by means of separate electronic blower control module)
Auxiliary Heating	No
Failure Code Readout	No
Diagnostics	No
Digital Inputs	-
Digital Outputs	-
Analogue Inputs	-
Analogue Outputs	-
Illuminated Symbols	Yes
Illuminated Rotary Actors	No
CAN-Bus	No
Specials	Climate control feasible by means of HCC or 6-pol AMA



Technical Drawing



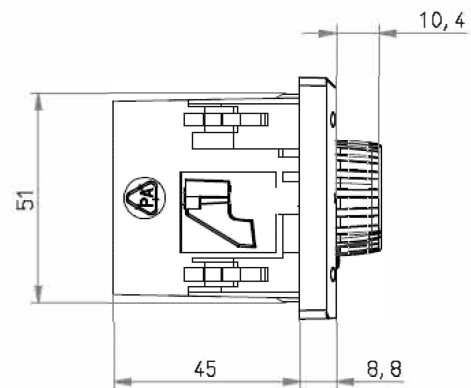
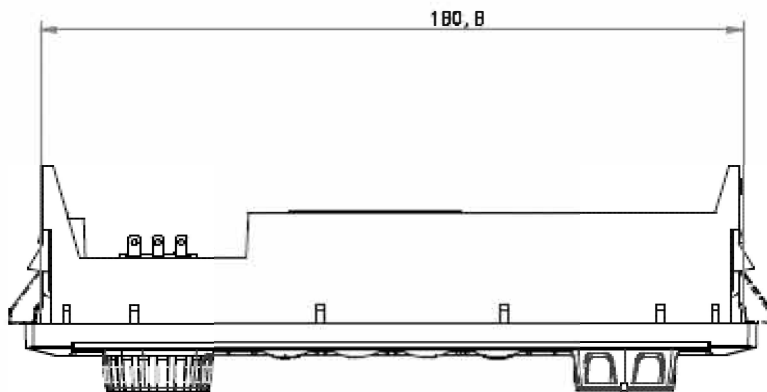
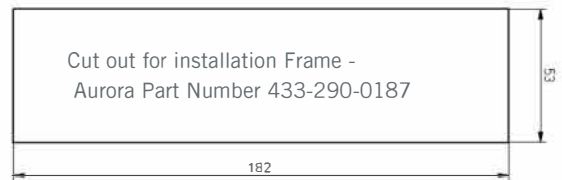
Control Panels Comfort - ACD

Aurora's line of Comfort Control Panels takes the next step towards ultimate climate control in a cabin or vehicle. In comparison to the Economy line, our Comfort Controls offers dual knobs coupled with up to six key buttons. The OLED Display allows the operator to receive instantaneous feedback with important information regarding the current state of the cabin including: blower speeds, current temperature, and air flow allocations. The ACD-L can also have a variable number of inputs and outputs depending on the system requirements.

Blower Control	Switch
Set Temperature	Potentiometer or key buttons
Integrated Climate Control	Yes
Display	OLED display (various colors)
A/C	Yes
Defrost	Yes
Fresh Air / Circulating Air	Yes
Outside Temperature	Yes
Air Distribution Flap	Yes
2nd Air Distribution Flap	Yes
Automatic Climate Control	Yes
Infinitely Variable Blower	Yes
Auxiliary Heating	Yes
Failure Code Readout	Yes (by means of numerical codes)
Diagnostics	-
Digital Inputs	3
Digital Outputs	2
Analog Inputs	4 (+1 reserve)
Analog Outputs	1 (+1 reserve)
Illuminated Symbols	Yes
Illuminated Rotary Actors	Yes
CAN-Bus	Yes
Actuator 2 pol.	1
Actuator 5 pol.	2 (+1 optional)
Humidity Sensor	optional
Technical Specification	971-120-0136



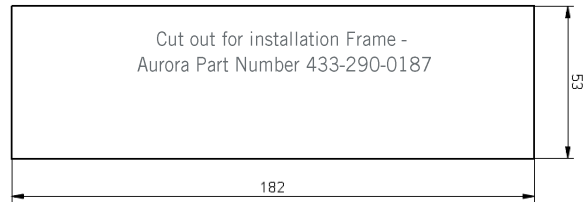
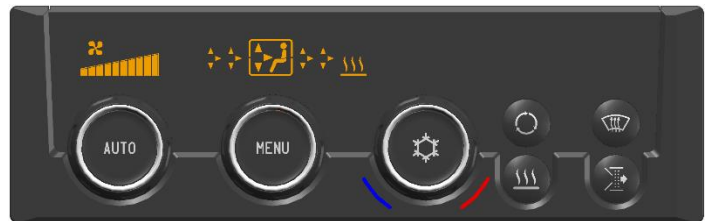
Technical Drawing



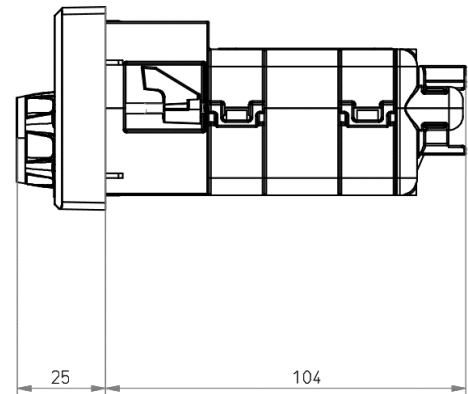
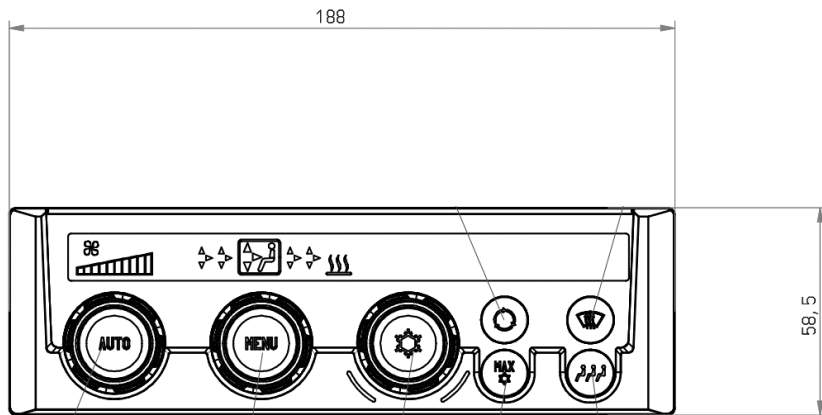
Control Panels Premium – ACC

Aurora’s line of Premium Control Panels takes the industry to a whole new level. The ACC is similar to AraneA family, but developed for Cabin applications. With customizable inputs and outputs, graphic displays, 3 encoders, and up to 7 key button options, the ACC is the ultimate control panel for higher end applications. The modern design and one-touch Auto Function gives operators the cabin temperatures they desire with the single push of a button. The ACC redefines the ease of Cabin Comfort.

Blower Control	encoder
Set Temperature	encoder
Integrated Climate Control	yes
Display	yes (graphic)
A/C	yes
Defrost	yes
Fresh Air / Circulating Air	yes
Outside Temperature	yes
Air Distribution Flap	yes
2nd Air Distribution Flap	yes
Automatic Climate Control	yes
Infinitely Variable Blower	yes
Auxiliary Heating	yes
Failure Code Readout	yes
Diagnostics	yes
Digital Inputs	3
Digital Outputs	3
Analog Inputs	6
Analog Outputs	2
Illuminated Symbols	Yes
Illuminated Rotary Actors	Yes
CAN-Bus	Yes
Actuator 2 pol.	1
Actuator 5 pol.	2 (possibly 3)
Humidity Sensor	Yes



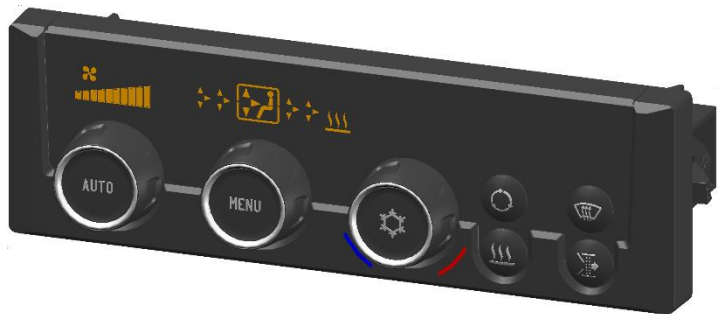
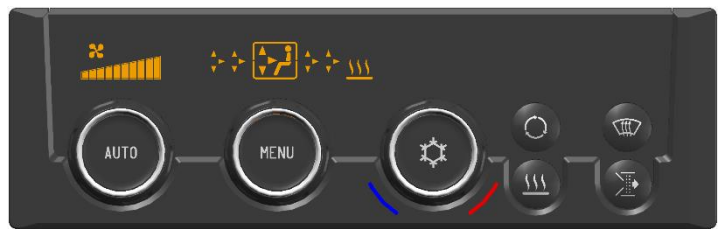
Technical Drawing



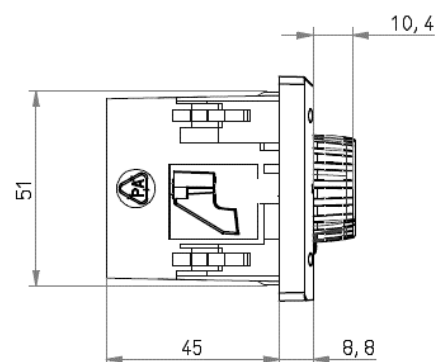
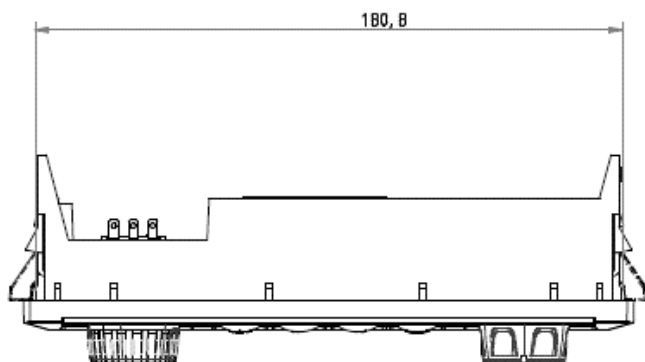
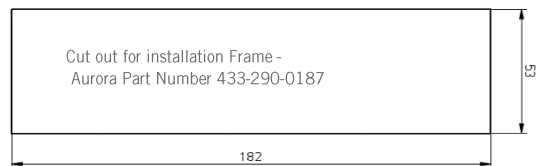
Control Panels Premium – AraneA² HMI

Aurora’s line of Premium Control Panels takes the industry to a whole new level. The AraneA² HMI was developed specifically for applications where the controls and A/C System are not installed within a close proximity to one another. With similar characteristics as the AraneA² Kombi, the HMI encompasses graphic display with 3 encoders and up to 7 key button options. The AraneA² HMI is the ultimate control panel for higher end applications. The modern design and one-touch Auto Function gives operators the cabin temperatures they desire with the single push of a button. The AraneA² Family reinvents operator comfort.

Blower Control	Encoder
Set Temperature	Encoder
Air Distribution	Encoder
Integrated Climate Control	Yes
Display	Yes (graphic)
A/C	Yes
Defrost	Yes
Fresh Air / Circulating Air	Yes
Outside Temperature	Yes
Air Distribution Flap	Yes
2nd Air Distribution Flap	Yes
Automatic Climate Control	Yes
Infinitely Variable Blower	Yes
Auxiliary Heating	Yes
Failure Code Readout	Yes
Diagnostics	Yes
Digital Inputs	-
Digital Outputs	-
Analog Inputs	-
Analog Outputs	-
Illuminated Symbols	Yes
Illuminated Rotary Actors	Yes
CAN-Bus	1 interface
Actuator 2 pol.	-
Actuator 5 pol.	-
Humidity Sensor	No
Technical Specification	971-120-0130



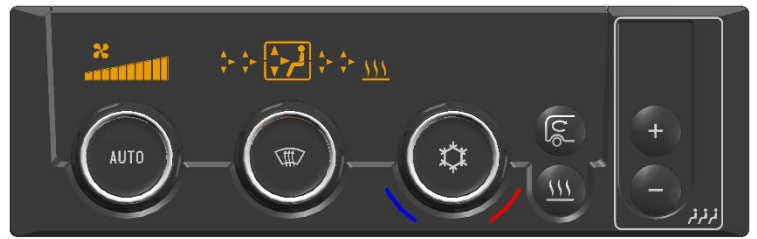
Technical Drawing



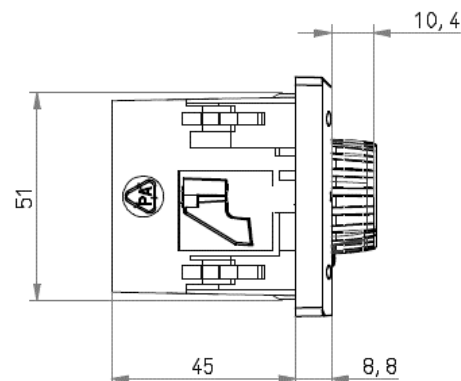
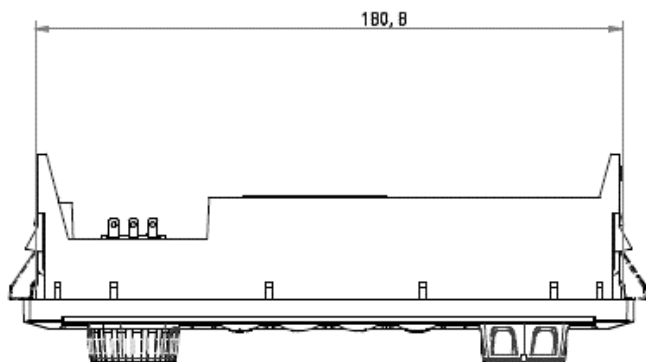
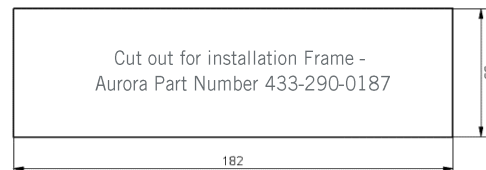
Control Panels Premium – AraneA² Kombi

Aurora’s line of Premium Control Panels takes the industry to a whole new level. The AraneA² Kombi was developed for bus and coach applications. It encompasses graphic display with 3 encoders and up to 7 key button options. The AraneA² Kombi is the ultimate control panel for higher end applications. The modern design and one-touch Auto Function gives operators the cabin temperatures they desire with the single push of a button. The AraneA² reinvents operator comfort.

Blower Control	Encoder
Set Temperature	Encoder
Air Distribution	Encoder
Integrated Climate Control	Yes
Display	Yes (graphic)
A/C	Yes
Defrost	Yes
Fresh Air / Circulating Air	Yes
Outside Temperature	Yes
Air Distribution Flap	Yes
2nd Air Distribution Flap	Yes
Automatic Climate Control	Yes
Infinitely Variable Blower	Yes
Auxiliary Heating	Yes
Failure Code Readout	Yes
Diagnostics	Yes
Digital Inputs	6
Digital Outputs	8 (2x2A, 6x0,
Analog Inputs	4
Analog Outputs	2
Illuminated Symbols	Yes
Illuminated Rotary Actors	Yes
CAN-Bus	2-interfaces
Actuator 2 pol.	-
Actuator 5 pol.	2
Humidity Sensor	No
Technical Specification	971-120-0130



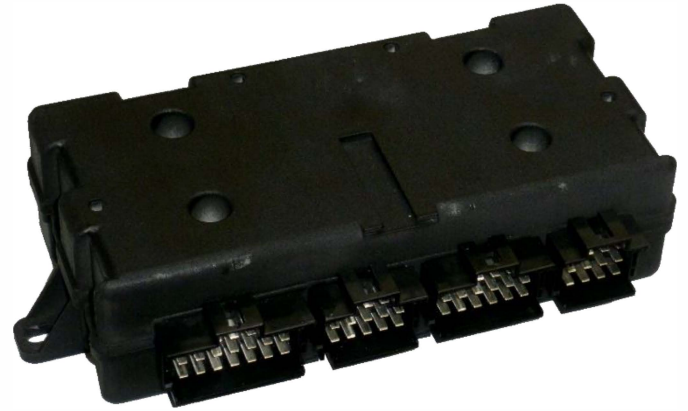
Technical Drawing



Control Panels Premium – AR HCP

Aurora’s line of Premium Control Panels takes the industry to a whole new level. The AR-HCP module works in combination with the AraneA family in order to facilitate communication between the system and the control panel. This module helps reduce installation costs by reducing the amount of wiring and cables inside the vehicle. These are especially popular in applications where the control panel and the air conditioning system are not located within proximity of one another, and eliminates lengthy wiring.

Voltage	9 - 32V
Operating Temperature	-40 to +80 °C
Temperature Sensors	4
Stepped Blowers	Yes
Stepless Blowers	Yes
Plus Type	66 pole (12-, 15-, 18-, 21-pole TE JPT)
Digital Inputs	6
Digital Outputs	6
Analog Inputs	4
Analog Outputs	2
Blower Control	2
2-pole Actuator	-
5-pole Actuators	4
CAN-Bus	Yes
Technical Information	971-120-0130



Technical Drawing

