

AURORA Standard Heaters



Designed for maximum efficiency and durability and serviceability, using light-weight components for high-output with low noise emissions to ensure customer satisfaction. For more information including pricing, availability, technical information, and custom solutions, please contact our sales team or visit our website

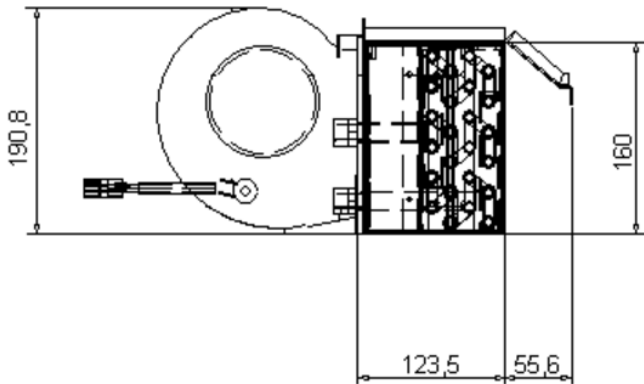
Standard Heaters Round-Tube Heater

Aurora's Standard Heaters are tried and proved in the harshest of climates. The 14kW Atlas Heater is both powerful and compact. Designed for easy under the seat installation, the Atlas Heater is the perfect solution for heating single operator cabins. Built to use both water and oil as cooling mediums, its versatility helps to provide cross-platform solutions to vehicle manufacturers.

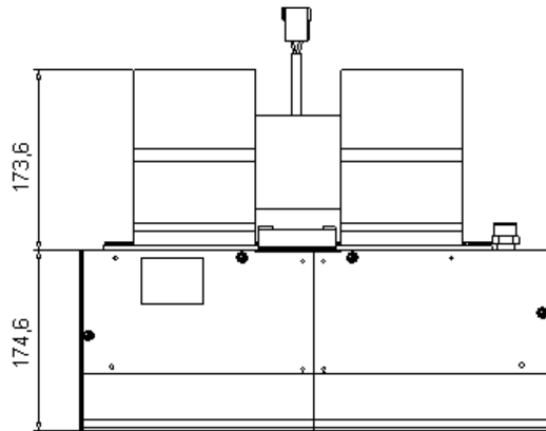
Specifications	
Round-Tube Heat Ex. w/ connection M22 x 1,5	
Twin Radial Blower DRG 1200, 12 Volt, 3-speed	
Overload Protection via micro-temperature-fuse	
MTS connected to the resistor.	
Technical Data	
912-100-0191	
Variations	
Part Number	Description
151-AT1-0001	12 V 14 kW 3-Speed



Technical Drawings and Information



Blower Speed	1	2	3
Heat Power	3.6 kW	5.5 kW	7.0 kW
Vol. Air Flow	337 m³/h	603 m³/h	878 m³/h
Power Consumption	66 W	139 W	247 W
Weight	7.5 kg (16.54 lbs.)		
Nom. Voltage	12		
Oil Connection	M22 x 1.5 mm		



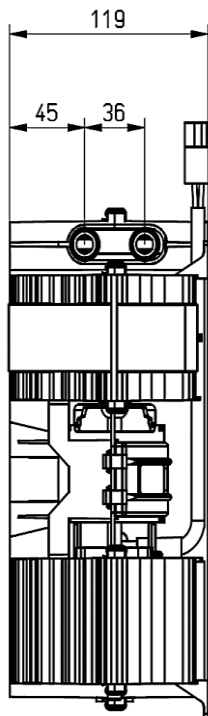
Standard Heaters Calea

The Calea is used as a universal built-in unit for heating in all varieties of commercial vehicles. Available in both 12 and 24 voltages, its compact and lightweight design is perfect for any operator cabin. Flat tube heat exchanger technology increases performances while accommodating weight sensitive applications.

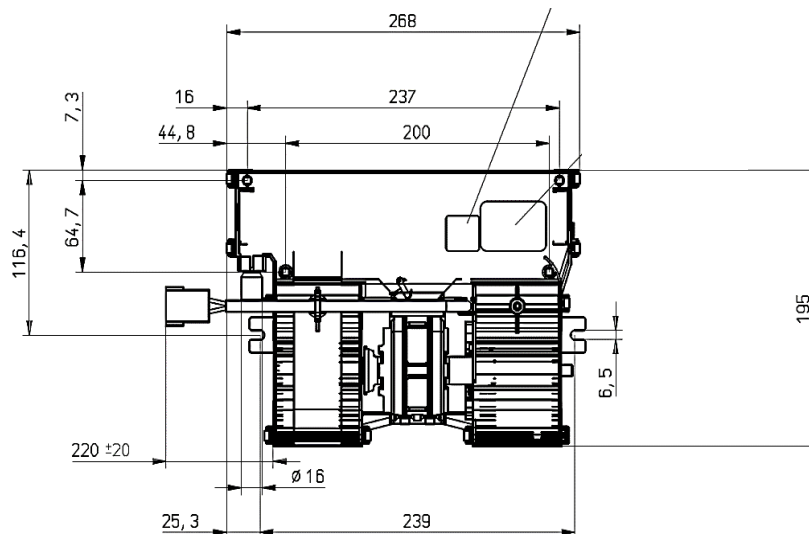
Specifications	
Plastic Polyamide PA6 glass reinforced housing	
Fan unit with DC motor in 12V	
Flat tube heat exchanger with $\varnothing 16$ mm connection	
Versions available with sockets or nozzles at air outlet area.	
Technical Data	
912-100-0734	
Variations	
Part Number	Description
151-751-0001	Calea 12V
151-752-0001	Calea 24V



Technical Drawing and Information



Technical Info			
Blower Speed	1	2	3
Heat Power	4.1 kW	4.8 kW	5.4 kW
Vol. Air Flow	172 m ³ /h	207 m ³ /h	240 m ³ /h
Power Consumption	52 W	67 W	83 W
Weight	2.2 kg (4.85 lbs.)		
Nom. Voltage	12 and 24		



Standard Heaters Coanda

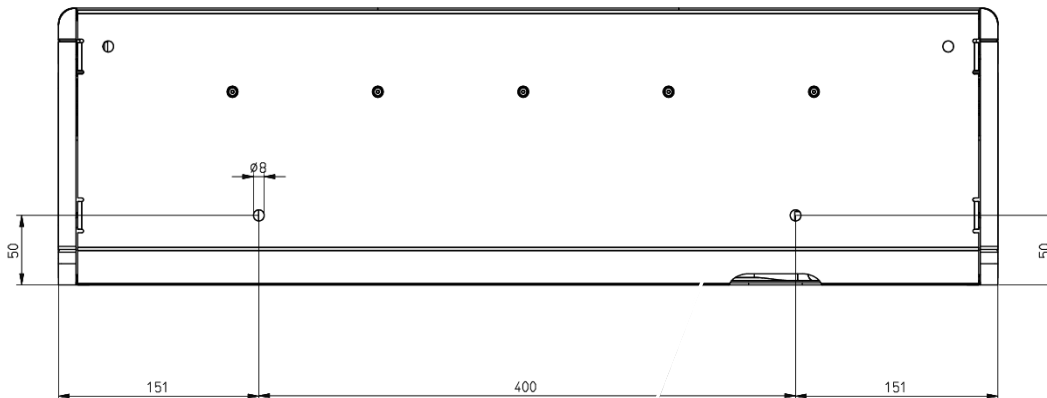
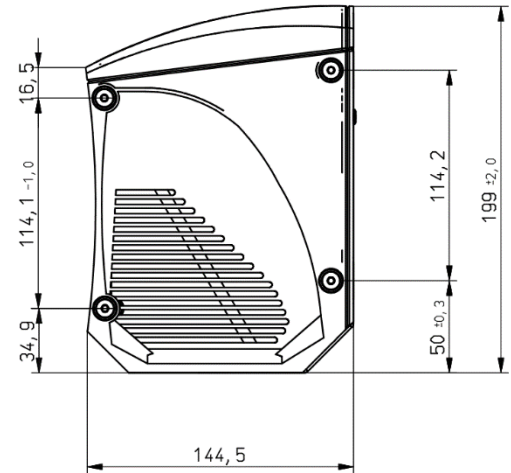
Aurora's Standard heaters encompass many uses. Our Coanda unit is an efficient side-wall heater used mainly for heating passenger areas in buses and coaches. The Coanda's compact and rugged design is perfect for all transit vehicles with large passenger seating areas. The aluminum housing and flat tube technology reduce the overall weight of the unit while adding to its durability and efficiency.

Specifications	
Twin Radial Blower DRG 530	
Flat Tube Heat Exchanger	
Advanced Filtration	
Dual Air Outlets	
Technical Data	
912-100-0521	
Variations	
Part Number	Description
151-571-0002	12V 2-speed
151-571-0003	12V 3-speed
151-571-0004	12V 2-speed
151-572-0005	24V 3-speed



Technical Drawings and Information

Technical Info		
Blower Speed	Low	High
Heat Power	4.0 kW	7.9 kW
Vol. Air Flow	159 m³/h	337 m³/h
Power Consumption	55 W	134 W
Sound Intensity	54 dB(A)	68.5 dB(A)
Weight	5.4 kg (11.91 lbs.)	
Nom. Voltage	12 and 24	



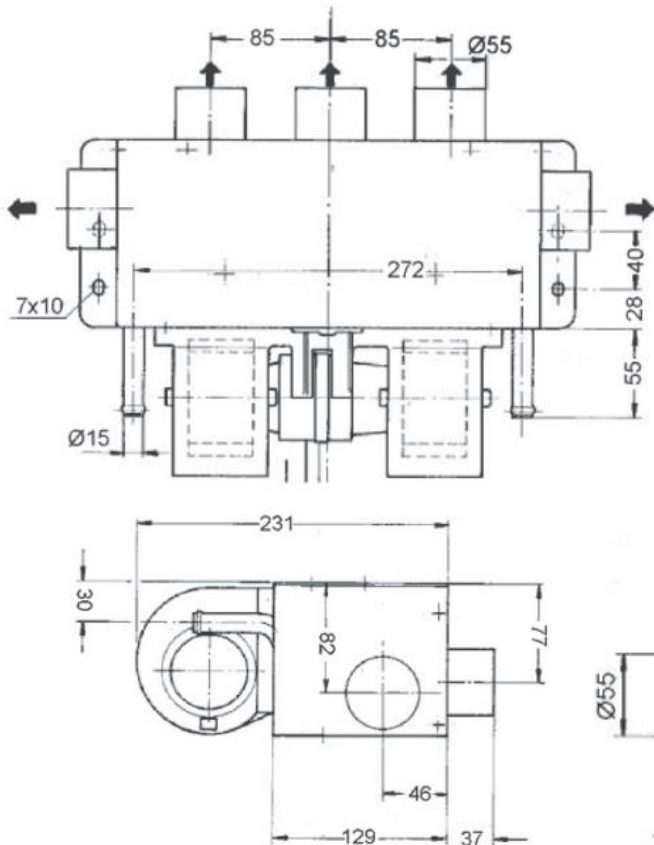
Standard Heaters Trolley Defroster

The AURORA Trolley heater is the ideal middle of the road heater. For small and medium sized vehicles, this heater boasts the perfect balance of performance and versatility. The Trolley is most commonly used for defrosting windows and heating cabins or operator environments. Capable of reaching 6.5 kW of heating power, this unit was designed to keep the cold out.

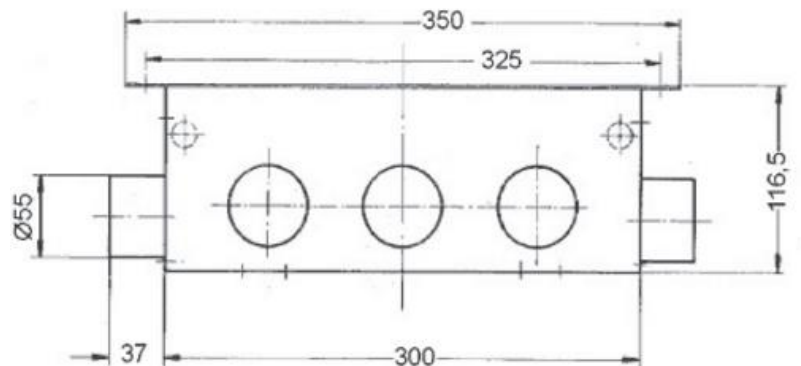
Specifications	
Steel Plate Housing	
Flat Tube Heat Exchanger	
Twin Radial Blower DRG 370	
Ø15mm connection on both sides	
Ø55mm Hose Connection Ports	
Technical Data	
912-100-0108	
Variations	
Part Number	Description
151-701-0000	12 Volt 2-Speed
151-701-0003	12 Volt 2-Speed
151-702-0000	24 Volt 2-Speed
151-702-0003	24 Volt 2-Speed



Technical Drawings and Information



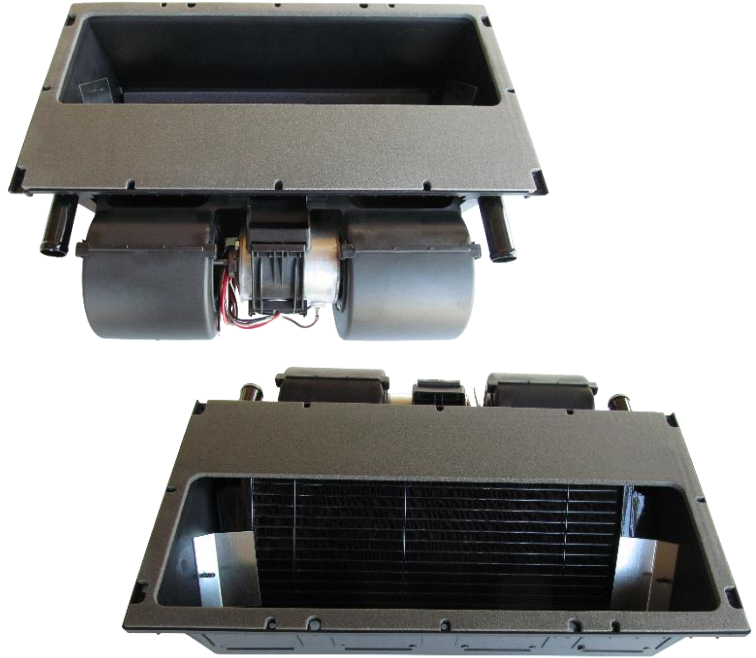
Technical Info		
Blower Speed	Low	High
Heat Power	5.0 kW	6.5 kW
Vol. Air Flow	238 m³/h	344 m³/h
Power Consumption	69 W	128 W
Sound Intensity	64 dB(A)	73 dB(A)
Weight	4 kg (8.82 lbs.)	
Nom. Voltage	12 and 24	



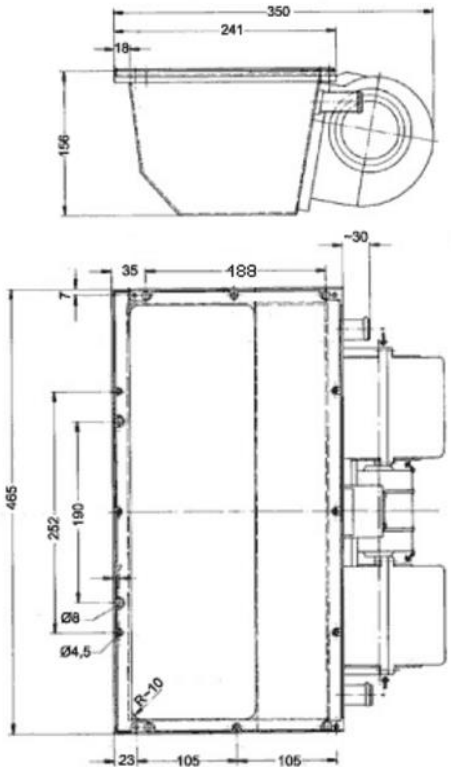
Standard Heaters EHU-K 11500

Aurora's EHU-K Heater can be used as a built-in model for the heating and ventilation of buses. It can either be operated with external or recirculating air. The recirculated air option is especially advantageous for dehumidifying the inside air during cooling. The EHU-K also uses flat tube heat exchanger technology to boost performance and reduce weight.

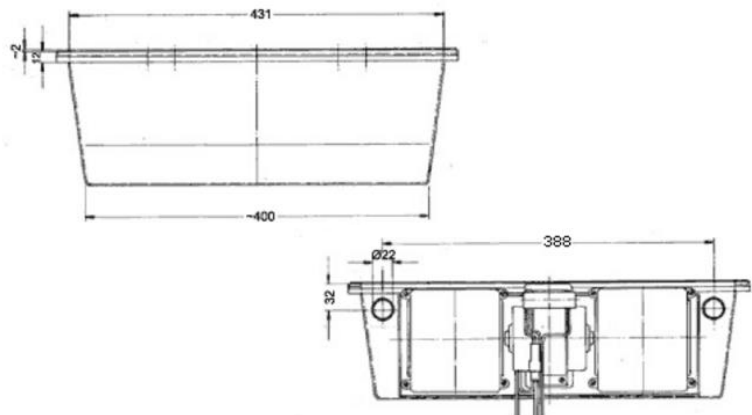
Specifications	
Housing: plastic PA6 Twin Radial Blower DRG 730 Powerful electric motor with long life cycle	
Technical Data	
912-100-0101	
Variations	
Part Number	Description
151-561-0000	11500 12V 3-Speed
151-561-0010	11500 12V 3-Speed
151-561-0011	11500 12V 3-Speed
151-562-0000	11500 24V 3-Speed
151-562-0010	11500 24V 3-Speed
151-562-0011	11500 24V 3-Speed



Technical Drawing and Information



	Master	EHU 11.500	EHU 16.500
Heat Power	8.5 kW	13 kW	19 kW
Vol. Air Flow	548 m ³ /h	710 m ³ /h	1130 m ³ /h
Power Consumption	164 W	216 W	262 W
Sound Intensity	63.5 dB(A)	70 dB(A)	68 dB(A)
Weight	4.4 kg (9.7 lbs.)	5.1 kg (11.25 lbs.)	7.1 kg (15.65 lbs.)
Nom. Voltage	12 and 24		
Water Connection	15 mm	22 mm	22 mm



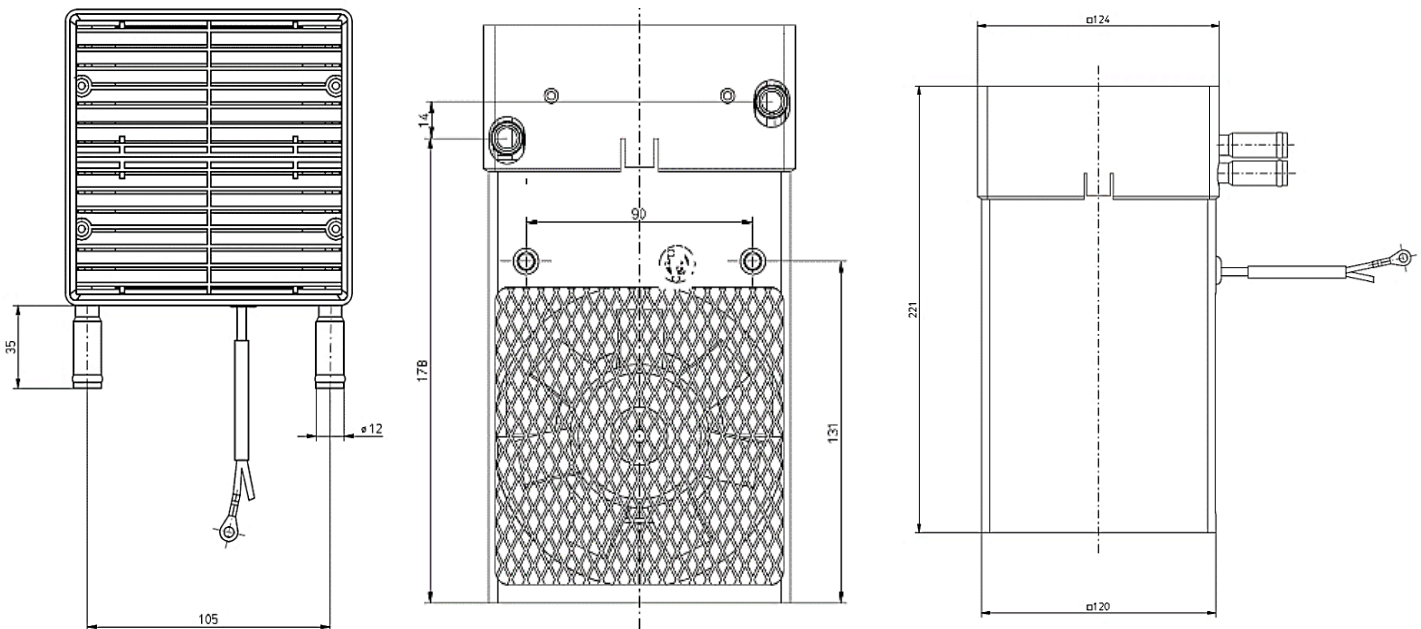
Standard Heaters Mini H410

The Aurora Mini heater is perfectly designed to retrofit in cabs of nearly all applications. The 221mm by 124mm Mini is ideal for providing efficient heat to passengers and operators in areas where installation space is scarce. The Mini is also suited for a number of heating functions. Whether installed under the seat, mounted to a side wall, driver's space, door entries, sleeping cabins, on-board kitchens, or simply used as a defroster, the mini is perfect for the job.

Specifications	
Air Flow: 114 m ³ /h	
Heating Power: 2.1 kW	
Power Consumption: P _{el} = 29 W	
Noise Emission: 64 dB(A)	
Technical Data	
912-100-0123	
Variations	
Part Number	Description
151-301-0000	Mini H410 12V
151-302-0000	Mini H410 24V



Technical Drawing and Information



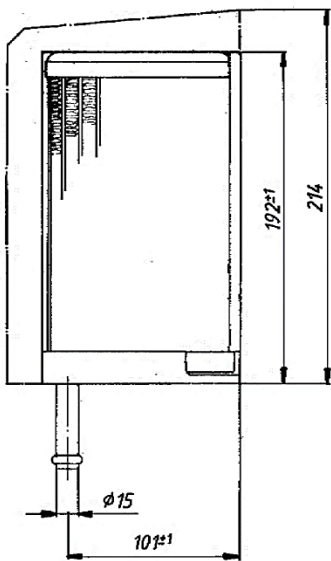
Standard Heaters Oscar 8000

AURORA's Oscar heater is the ultimate solution for side wall heating in buses and cabs. The 8000 is AURORA's most powerful unit in the Oscar family. It was developed for usage in operator spaces and for mounting on the side walls of passenger cabins. The 8000 sports dual flat tube heat exchangers and a twin radial blower for maximum efficiency. For Bus and Passenger Transit heating, we recommend using 3 - 4 units in a full sized bus depending on the surrounding climate. Depending on the operating environment, air filtration is also a possibility with the Oscar series.

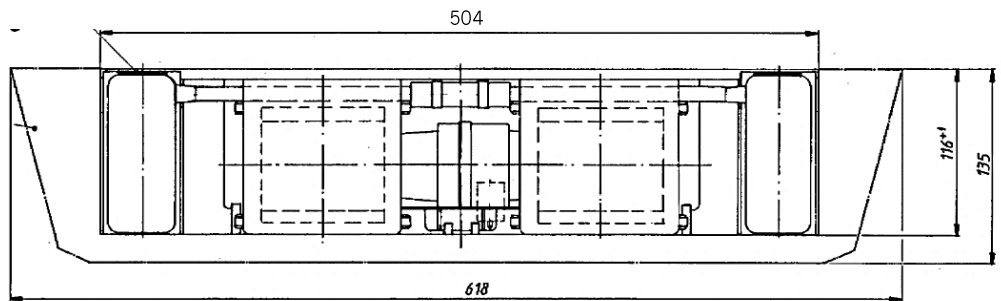
Specifications	
Polyamide PA6 glass fiber reinforced housing	
Dual Flat-tube Heat Exchangers	
Twin Radial Blower	
Technical Data	
912-100-0098	
Variations	
Part Number	Description
151-681-0001	Oscar 8000 12V 2-speed w/ hood
151-682-0001	Oscar 8000 24V 2-speed w/ hood



Technical Drawing and Information



Technical Information		
Blower Speed	1	2
Heat Power	6.5 kW	8.0 kW
Vol. Air Flow	293 m³/h	402 m³/h
Power Consumption	70 W	116 W
Weight	5.3 Kg (11.7 lbs.)	
Nom. Voltage	12 or 24 Volt	
Water Connection	15 mm	



Standard Heaters KKH Heater

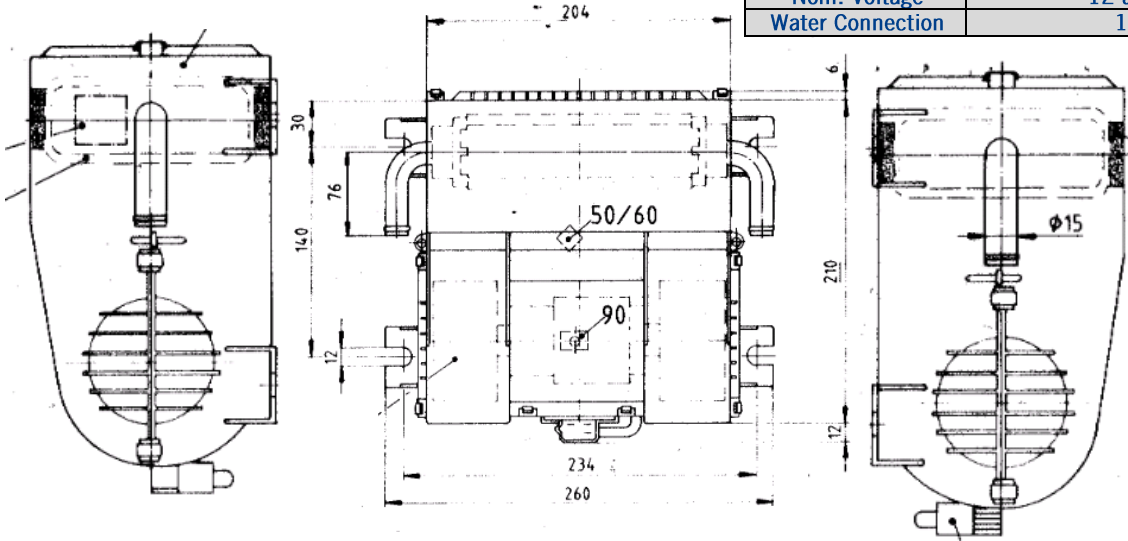
Aurora's KKH Heater is an ideal and powerful solution for small cabins. Its universal nature allows the KKH to maintain a 3.6 kW output in various applications and installation options as either a main or supplementary unit. The unit comes in 12 and 24 volt options, as well as different louver and grill packages suitable to for installations in any of the following locations: under seats, instrument dashboard, side wall, operator / driver space, door entries, sleeping cabins, on-board kitchens, or as a defroster unit. Connections on both sides come standard at 15mm in diameter.

Specifications	
Housing: Glass-fiber reinforced polyamide PA6, black Flat-tube heat exchanger system made of copper/brass Powerful electric long life motor. Blower speeds defined by series resistors with ceramic heat sink and micro-temperature fuses.	
Technical Data	
912-100-0084	
Variations	
Part Number	Description
151-801-0001	12V 1-speed w/ output grill
151-801-0002	12V 2-speed w/ output grill
151-801-0003	12V 3-speed w/ output grill
151-801-0004	12V 1-speed w/ round and small louver
151-801-0005	12V 1-speed w/ round louver (40mm adapter on one side)
151-802-0001	24V 1-speed w/ output grill
151-802-0002	24V 2-speed w/ output grill
151-802-0003	24V 3-speed w/ output grill
151-802-0005	24V 1-speed w/ round louver (40mm adapter on one side)



Technical Info			
Blower Speed	1	2	3
Heat Power	1.8 kW	2.7 kW	3.5 kW
Vol. Air Flow	70 m³/h	112 m³/h	185 m³/h
Power Consumption	16 W	26 W	45 W
Weight	2 kg (4.41 lbs.)		
Nom. Voltage	12 and 24 V		
Water Connection	15 mm		

Technical Drawing and Information



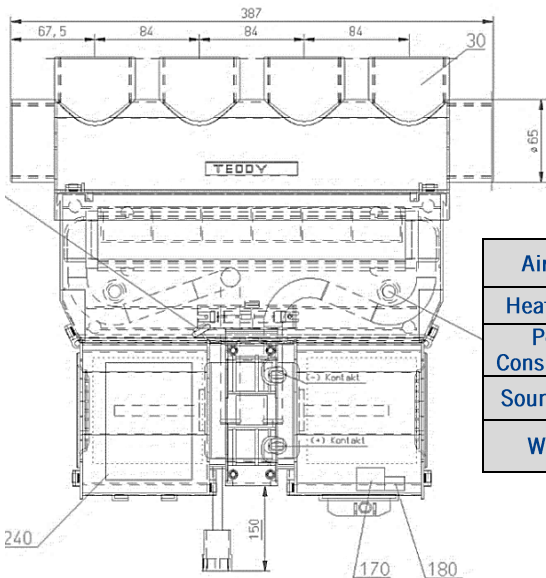
Standard Heaters Teddy 2000

The heater Teddy can be delivered in several different versions to meet various requirements. While functionally, the units have little variance. The differences lie in the individual components and connections. The built-in model has no air outlet grille and no air intake grilles on the side. This recirculating model has an air outlet grille and a side section with integrated air intake grille. The air direction can be changed by adjusting the air outlet grille by 90°. These are specifically designed for the under the seat mounting in buses, coaches, or cabins.

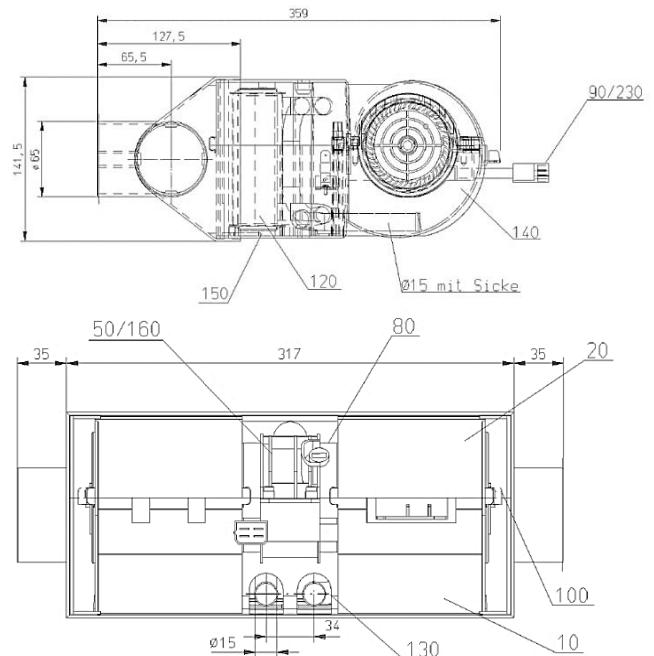
Specifications	
Housing: PA-6 35% glass fibre reinforcement Blower: DC with two radial wheel, resistor, MTS Flat-Tube Heat Exchanger: max pressure 2-bar	
Technical Data	
912-100-0085	
Variations	
Part Number	Description
151-551-0017	Recirculation Heater 12V 2-speed
151-551-0021	Installation Heater 12V 2-speed
151-551-0022	Defroster 12V 2-speed
151-552-0017	Recirculation 24V 2-speed
151-552-0021	Installation 24V 2-speed
151-552-0022	Defroster 24V 2-speed



Technical Drawing and Information



Air Flow	385 m³/h
Heat Power	7.2 kW
Power Consumption	120 W
Sound Level	68 dB(A)
Weight	3.3 kg (7.28 lbs.)



Standard Heaters Junior Heater

AURORA's Junior Heater is built for universal usage in small cabs. Whether used as a main or auxiliary heater, the Junior is extremely versatile when it comes to application potential. With a various number of installation and application features due to its flexible construction, the Junior can be used for heating Underfloor, Side wall, Entrance, Sleeping cabin, Board kitchen, or as a defroster.

Specifications	
Housing: Polyamide PA6; glass-fiber-reinforced; black	
Heat exchanger: Flat-tube system in copper/brass	
Blower: 1-, 2-, or 3-speed	
Overload Protection via micro-temperature-fuse	
Various output adaptors and sizes available.	
Technical Data	
912-100-0181	
Variations	
Part Number	Description
151-811-0001	12V 1-speed w/ output grill
151-811-0002	12V 2-speed w/ output grill
151-811-0003	12V 3-speed w/ output grill
151-811-0007	12V 1-speed w/ two ø50mm adaptors
151-811-0010	12V 1-speed w/ two round louvers
151-811-0012	12V 3-speed w/ round louver
151-812-0003	24V 3-speed w/ output grill
151-812-0006	24V 3-speed w/ ø80mm adaptor
151-812-0009	24V 3-speed w/ two ø50mm adaptors



Technical Drawing and Information

Blower Speed	1	2	3
Heat Power	1.3 kW	2.4 kW	3.2 kW
Vol. Air Flow	55 m³/h	100 m³/h	155 m³/h
Power Consumption	13 W	22 W	42 W
Weight	1.6 Kg		
Nom. Voltage	12 or 24		
Water Connection	15 mm		

