

Aurora Water Valves – Manual and Automatic Flow



Engineered for Maximum Performance, Multi-Function Integration, Specialized Application, and Customer Satisfaction. For more information including pricing, availability, technical information and custom solutions, please contact our sales team or visit our website.

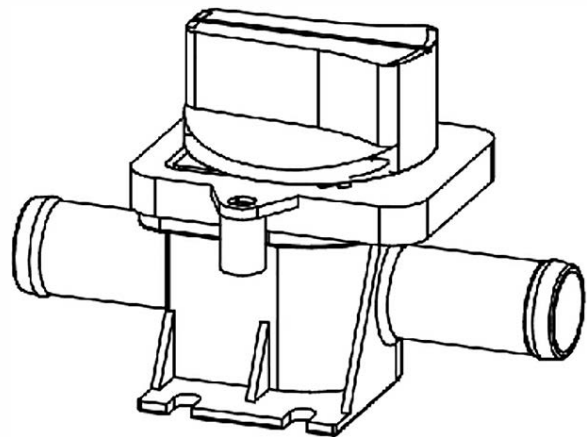
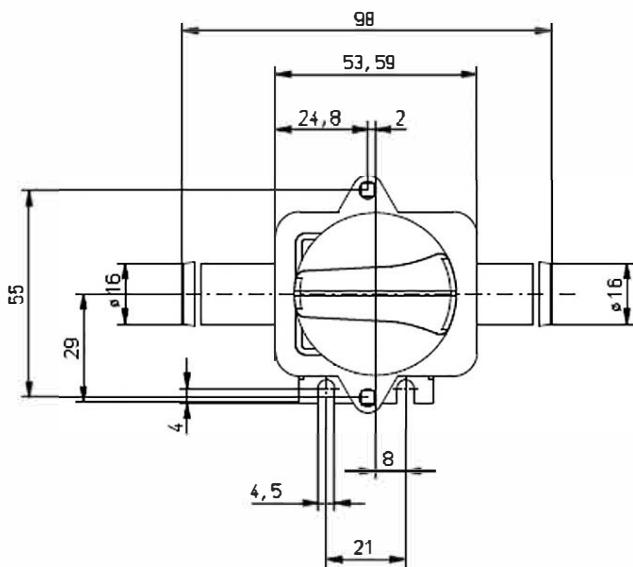
Water Valves Standard Mechanical

Aurora's mechanical water valve with rotary knob adjustment comes as a 16mm diameter standard connection. The rotary knob gives the operator easy adjustment of the heating performance. This water valve has mostly linear operating characteristics, and operates efficiently with a minimum pressure loss. The valve housing is comprised of Polyamide 66 Material, providing our line of water valves with lightweight and non-corrodible qualities.

Specifications	
Flow medium: water with antifreeze mixture ratio max. 1:1	
Volumetric flow: 100-1200 L / h	
Operating temperature range: -40°C to +120°C fluid temperature	
Environmental temperature range: -40°C to +85°C	
Nominal pressure of the fluid: p = 1 bar relative	
Test pressure of the water valve p1 = 2.5 bar relative	
Technical Data	
Variations	
Part Number	Description
381-000-0101	Connection diameter $\phi 16$ mm



Technical Drawing



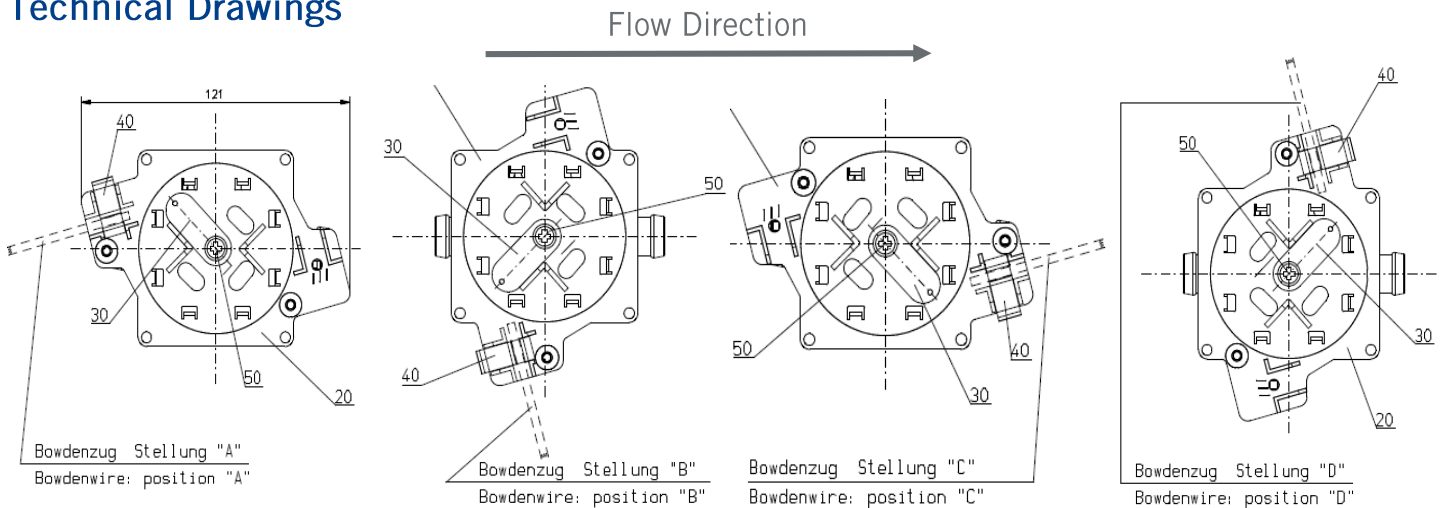
Water Valves Mechanical Bowden Cable

Mechanical Water Valves control the heating performance via easy adjustable Bowden Cables. Standard connection diameters are \varnothing 16mm / 18mm / 22mm / 28mm. Varied connecting diameters are also available upon request. This water valve has mostly linear operating characteristics, and operates efficiently with a minimum pressure loss. The valve housing is comprised of Polyamide 66 Material, providing Aurora's line of water valves with lightweight and non-corrodible qualities.

Specifications	
Flow medium: water with antifreeze (mixture ratio max. 1:1)	
Volumetric flow: 100 -1200 L / h	
Operating temperature range: -40°C to +120°C fluid temp.	
Environmental temperature range: -40°C to +85°C	
Nominal pressure of the fluid: p = 1 bar relative	
Test pressure of the water valve: p1 = 2.5 bar relative	
Technical Data	
912-100-0007	
Variations	
Part Number	Description
381-000-0141	\varnothing 16/16 w/ K-Level Bowden Wire Pos. A
381-000-0142	\varnothing 16/16 w/ K-Level Bowden Wire Pos. B
381-000-0143	\varnothing 16/16 w/ K-Level Bowden Wire Pos. C
381-000-0144	\varnothing 16/16 w/ K-Level Bowden Wire Pos. D
381-000-0145	\varnothing 22/22 w/ K-Level Bowden Wire Pos. A
381-000-0146	\varnothing 22/22 w/ K-Level Bowden Wire Pos. B
381-000-0147	\varnothing 22/22 w/ K-Level Bowden Wire Pos. C
381-000-0148	\varnothing 22/22 w/ K-Level Bowden Wire Pos. D
381-000-0149	\varnothing 28/28 w/ K-Level Bowden Wire Pos. A
381-000-0150	\varnothing 28/28 w/ K-Level Bowden Wire Pos. B
381-000-0151	\varnothing 28/28 w/ K-Level Bowden Wire Pos. C
381-000-0152	\varnothing 28/28 w/ K-Level Bowden Wire Pos. D



Technical Drawings



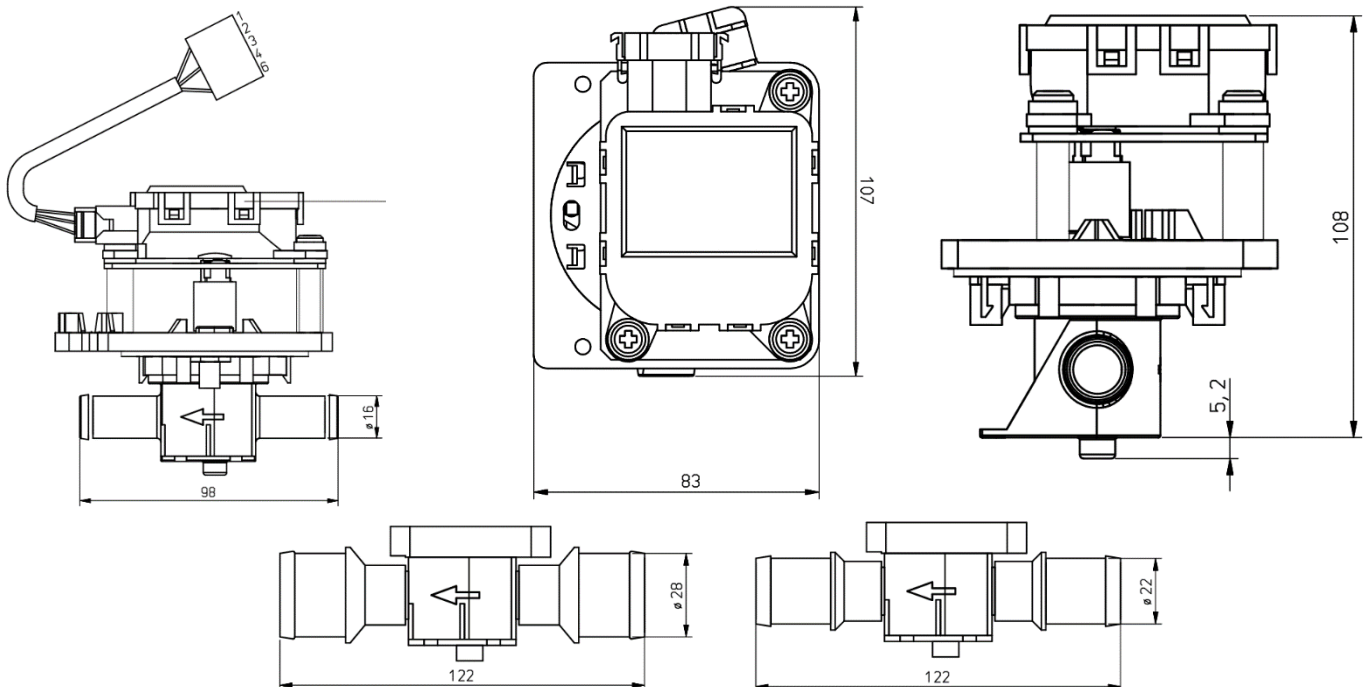
Water Valves 5 Pole with Servo Motor

Electrical Water Valve with Servo Motor 5 – Pole with varied diameters. Standard connection diameters are 16mm / 18mm / 22mm / 28mm. Control of this valve is steered by a 5-pole servo motor, providing easy adjustment of the heating performance. Varied connecting diameters are also available upon request. Servo Motors available in both 12 and 24 volt. This water valve has mostly linear operating characteristics, and operates efficiently with minimum pressure loss. The valve housing is comprised of Polyamide 66 Material, giving Aurora's line of water valves with lightweight and non-corrodible qualities.

Specifications		
Flow medium: water with antifreeze with mix ratio max. 1:1		
Volumetric flow: 100-1200 L / h		
Operating temperature range: -40°C to +120°C fluid temperature		
Environmental temperature range: -40°C to +85°C		
Nominal pressure of the fluid: p = 1 bar relative		
Test pressure of the water valve p1 = 2.5 bar relative		
Technical Data		
912-100-0007		
Variations		
Part Number	Diameter Ø	Voltage (V)
381-000-0300	16/16	24
381-000-0350	16/16	12
381-000-0302	22/22	24
381-000-0352	22/22	12
381-000-0304	28/28	24
381-000-0354	28/28	12



Technical Drawing



Water Valves AMA Motor

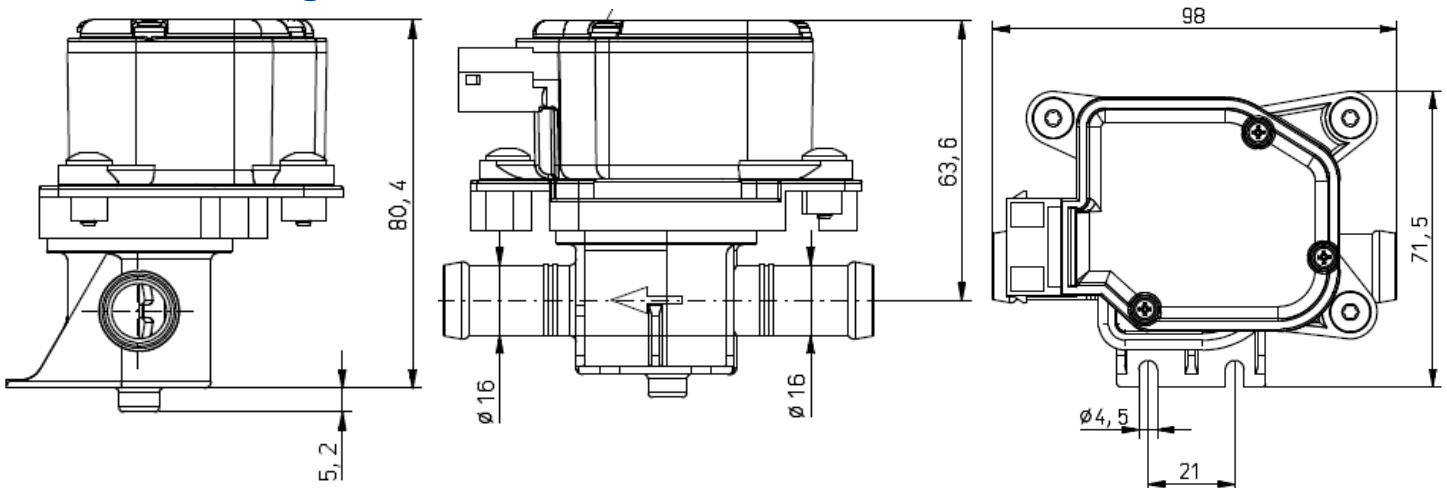
Electrical Water Valve with AMA Motor. Available in 3, 5, or 6 poles with varied diameters. Connections with different diameters (i.e. 16/22mm) are also available upon request. Available in both 12 and 24 volt. Compact design with servo motor 12V or 24V for easy adjustment of the heating performance: - 3-pole analog / PWM (electrical Bowden controller). - 5-pole with potentiometer (separate controller necessary) - 6-pole for automatic climate control. High lifetime with more than 120,000 cycles. IP protection IP67 + EMC certificate (EU). Interface to CAN-Bus- / LIN-Bus node (3-pole). Integrated anti-block protection.

Specifications
Flow medium: water with antifreeze; mixture ratio max. 1:1
Volumetric flow: 100-1200 L / h
Operating temperature range: -40°C to +120°C fluid temp.
Environmental temperature range: -40°C to +85°C
Nominal pressure of the fluid: p = 1 bar relative
Test pressure of the water valve p1 = 2.5 bar relative
Technical Data
912-100-0007



Variations							
Part Number	Diameter Ø	Poles	Voltage (V)	Part Number	Diameter Ø	Poles	Voltage (V)
381-000-0700	16/16 mm	5	12	381-000-0603	22/22 mm	3	24
381-000-0600	16/16 mm	5	24	381-000-0901	22/22 mm	6	12
381-000-0701	16/16 mm	3	12	381-000-0801	22/22 mm	6	24
381-000-0601	16/16 mm	3	24	381-000-0704	28/28 mm	5	12
381-000-0900	16/16 mm	6	12	381-000-0604	28/28 mm	5	24
381-000-0800	16/16 mm	6	24	381-000-0705	28/28 mm	3	12
381-000-0702	22/22 mm	5	12	381-000-0605	28/28 mm	3	24
381-000-0602	22/22 mm	5	24	381-000-0902	28/28 mm	6	12
381-000-0703	22/22 mm	3	12	381-000-0802	28/28 mm	6	24

Technical Drawing



Water Valves 2-Way AMA Disc Valve

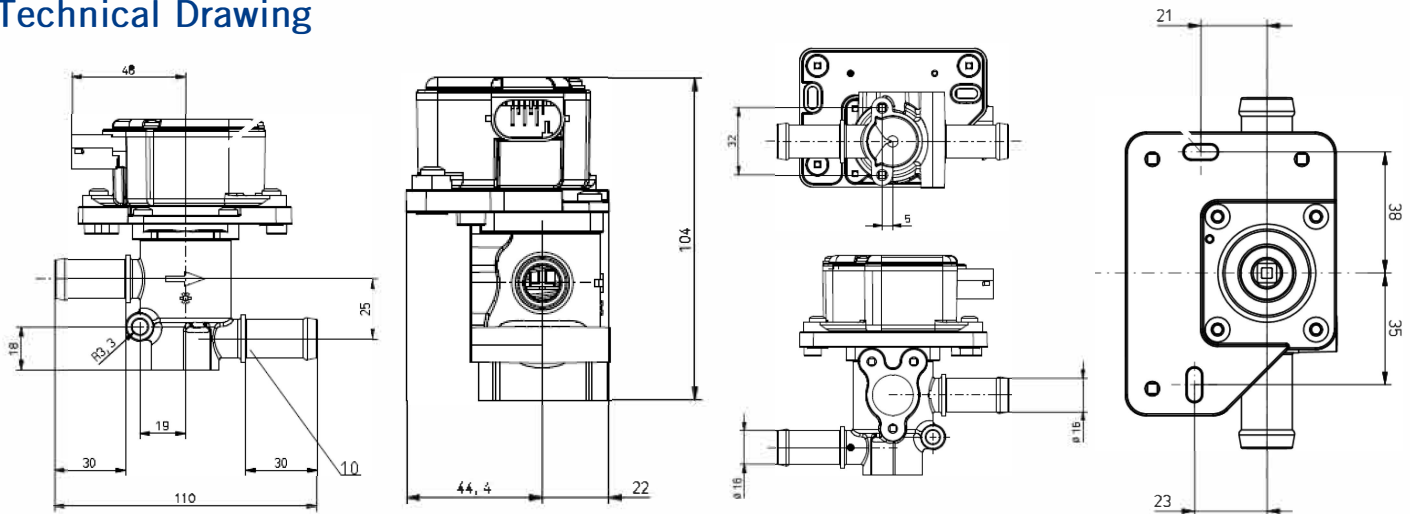
2/2 Disc Electrical Water Valve with AMA Motor, available in 3, 5, or 6 poles with varied diameters. Connections with different diameters (i.e. 16/22mm) are also available upon request. Compact design with servo motor 12V or 24V for easy adjustment of the heating performance: - 3-pole analog / PWM (electrical Bowden controller), - 5-pole with potentiometer (separate controller necessary), - 6-pole for automatic climate control. High lifetime with more than 120,000 cycles. IP protection IP67 + EMC certificate (EU). Interface to CAN-Bus- / LIN-Bus node (3-pole), and Integrated anti-block protection. This high pressure water valve is approved for Tier 4 Engines.

Specifications
Volumetric flow: 100-1200 L / h
Operating temperature range: -46°C to +120°C fluid temp
Environmental temperature range: -40°C to + 85°C
Nominal pressure/differential pressure of the fluid: p = 1 bar rel
Maximum inlet pressure of the fluid: max. p1 = 6 bar absolute (max.valid operation pressure)
Technical Information
912-100-0842



Variations							
Part Number	Diameter Ø	Poles	Voltage (V)	Part Number	Diameter Ø	Poles	Voltage (V)
381-000-1010	16/16 mm	6	24	381-000-1012	22/22 mm	6	24
381-000-1060	16/16 mm	6	12	381-000-1062	22/22 mm	6	12
381-000-1035	16/16 mm	5	24	381-000-1037	22/22 mm	5	24
381-000-1085	16/16 mm	5	12	381-000-1087	22/22 mm	5	12
381-000-1020	16/16 mm	3	24	381-000-1022	22/22 mm	3	24
381-000-1070	16/16 mm	3	12	381-000-1072	22/22 mm	3	12
381-000-1011	18/18 mm	6	24	381-000-1013	28/28 mm	6	24
381-000-1061	18/18 mm	6	12	381-000-1063	28/28 mm	6	12
381-000-1036	18/18 mm	5	24	381-000-1038	28/28 mm	5	24
381-000-1086	18/18 mm	5	12	381-000-1088	28/28 mm	5	12
381-000-1021	18/18 mm	3	24	381-000-1023	28/28 mm	3	24
381-000-1072	18/18 mm	3	12	381-000-1073	28/28 mm	3	12

Technical Drawing



Water Valves 3-way AMA Valve

Electrical Water Valve with AMA Motor. Standard connection diameters are $\varnothing 18\text{mm}$, 22mm , or 28mm with integrated T-Piece for By-Pass. Valves have a compact design with a 12V or 24V servo motor for easy heating performance adjustment. Pole Options: 3-pole analog / PWM (electrical Bowden controller), 5-pole with potentiometer (separate controller necessary), or 6-pole for automatic climate control. Built for long lifetime with over 120,000 cycles. IP protection IP67 + EMC certificate (EU). Interface to CAN-Bus- / LIN-Bus node (3-pole) Integrated anti-block protection

Specifications
Flow medium: water with antifreeze mix ratio max 1:1
Volumetric flow: 100-1200 L / h
Operating Temp.: -40°C to $+120^{\circ}\text{C}$ fluid temp
Environmental temperature range: -40°C to $+85^{\circ}\text{C}$
Nominal pressure of the fluid: $p = 1$ bar relative
Test pressure of the water valve $p_1 = 2.5$ bar relative
Technical Data
912-100-0007



Variations							
Part Number	Diameter \varnothing	Poles	Voltage (V)	Part Number	Diameter \varnothing	Poles	Voltage (V)
381-000-1001	18/18/18 mm	5	12	381-000-1077	22/22/22 mm	3	24
381-000-1051	18/18/18 mm	5	24	381-000-1017	22/22/22 mm	6	12
381-000-1026	18/18/18 mm	3	12	381-000-1067	22/22/22 mm	6	24
381-000-1076	18/18/18 mm	3	24	381-000-1003	28/28/28 mm	5	12
381-000-1016	18/18/18 mm	6	12	381-000-1053	28/28/28 mm	5	24
381-000-1066	18/18/18 mm	6	24	381-000-1028	28/28/28 mm	3	12
381-000-1002	22/22/22 mm	5	12	381-000-1078	28/28/28 mm	3	24
381-000-1052	22/22/22 mm	5	24	381-000-1018	28/28/28 mm	6	12
381-000-1027	22/22/22 mm	3	12	381-000-1068	28/28/28 mm	6	24

Technical Drawing

