



# IHK



## Inductor unit

### Product description

Horizontal Inductor unit to supply air in one direction, **IHK** model, brand KOOLAIR, length (900/1200/1500) mm, width 700 mm and height 200 mm, for installation in false ceilings. Incorporates air discharge grille available in different designs, for horizontal air diffusion Coanda effect air mixture (primary and secundario).

Induction grille available in different designs, hinged or removable for battery cleaning purpose. The unit integrates inner plenum nozzles (type P/M/G) for supply of primary air. Internal battery in horizontal position (2/4) pipes for cooling and / or heating with copper piping connections outside diameter 12 mm and aluminum finned pack.

Provided with a primary air connection Ø124 mm diameter front. Supply and return air grilles made of aluminum profiles, envelopes, inductor profiles manufactured entirely in galvanized steel.

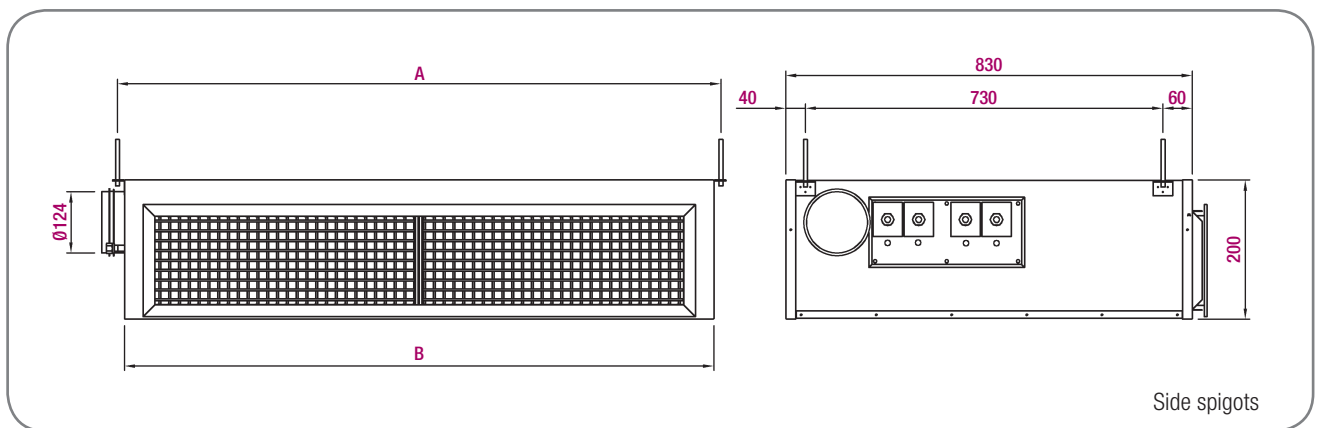
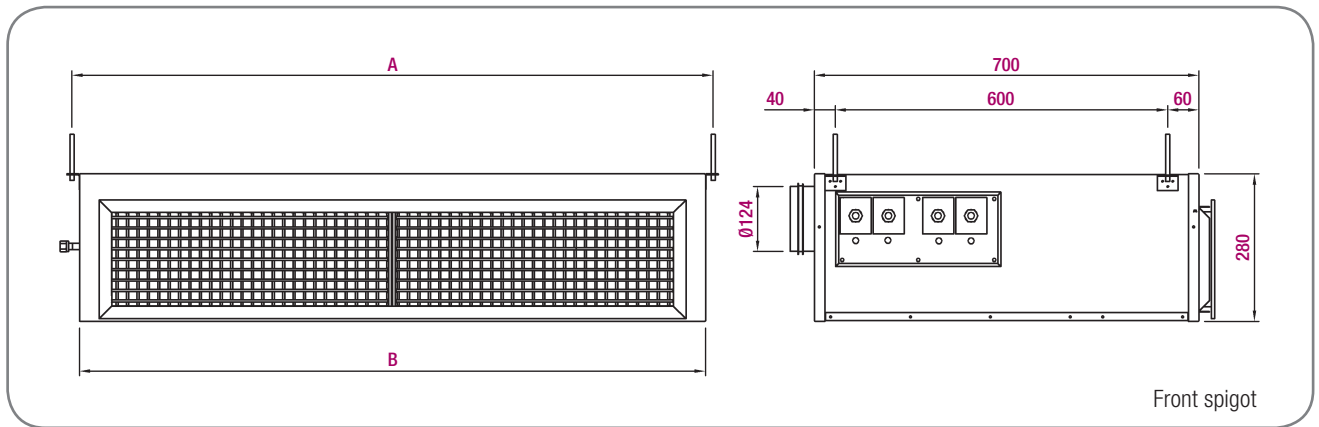
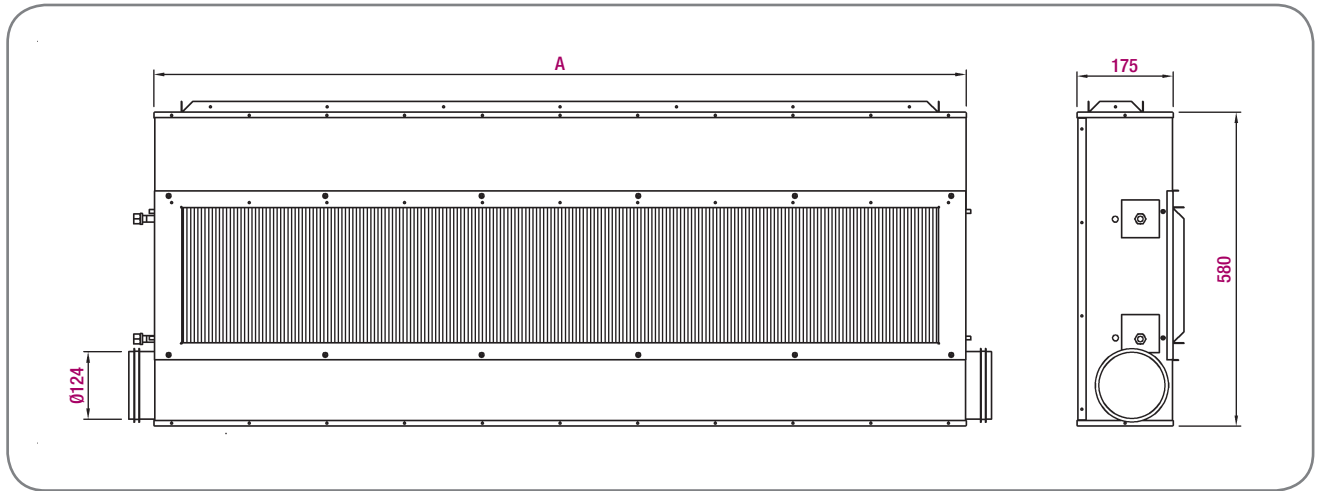
The unit is provided with fixing brackets. Standard finish RAL 9010 or grilles painted matte anodized aluminum.

Optionally **IHK** can be equipped with control valve / balancing and dew point sensor.

See website [www.koolair.com](http://www.koolair.com) & Komfortair-Water program for technical data.



## General dimensions



### Top entry

Size	A	B
900	932	900
1200	1232	1200
1500	1532	1500

Unit mm

### Side entry

Size	A	B
900	932	900
1200	1232	1200
1500	1532	1500

Unit mm

### IHK-V

Size	A
900	900
1200	1200
1500	1500

Unit mm