

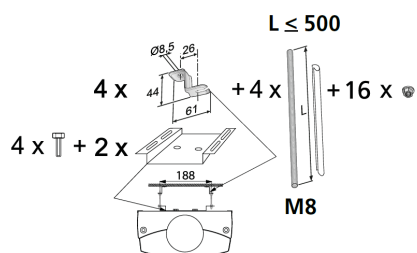
ADRIATIC VFc

Installation – Commissioning – Maintenance

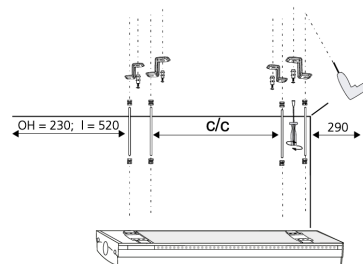
20160411

Installation / Monteren

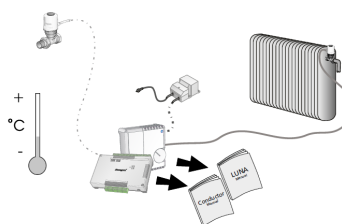
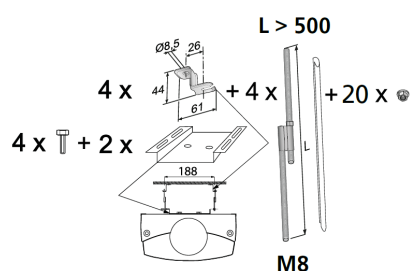
A



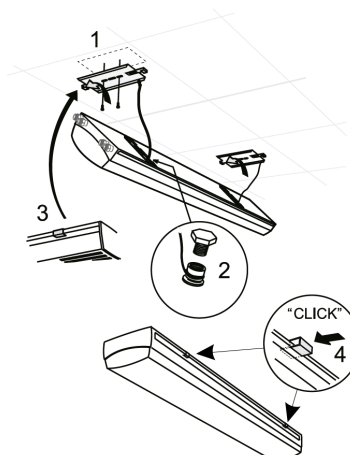
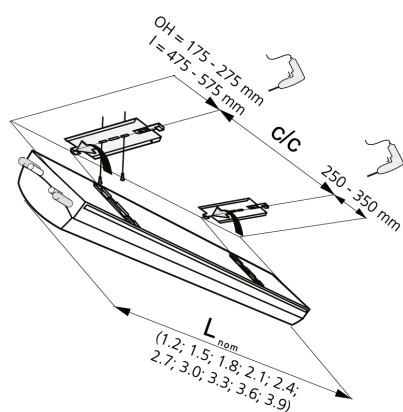
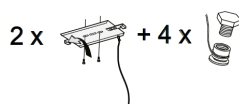
A/B



B





C

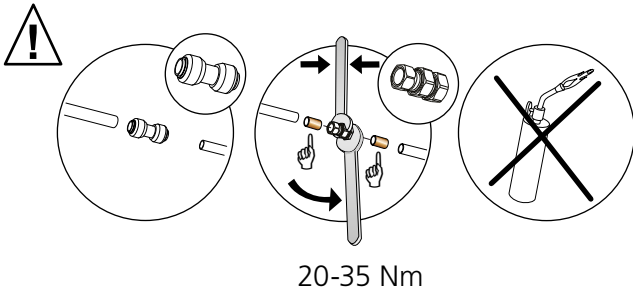
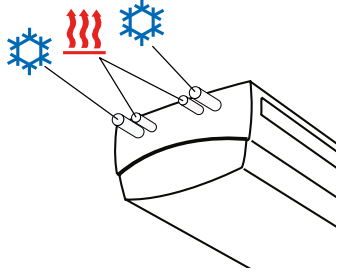


Swegon

Water connections / Vattenanslutning

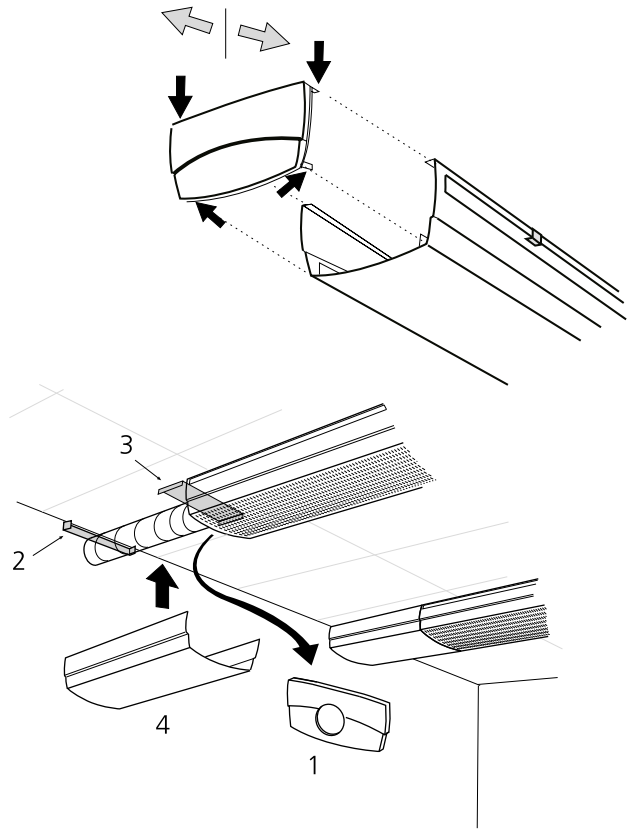
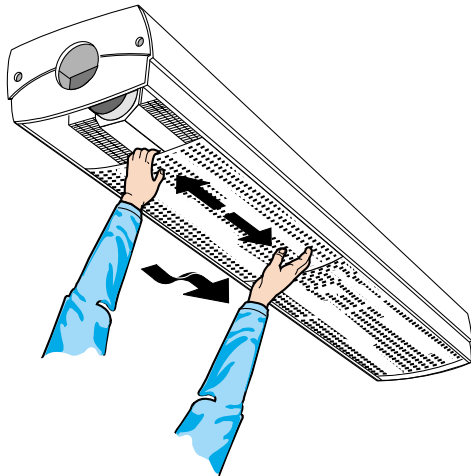
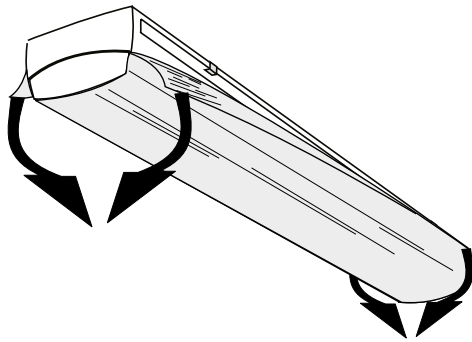
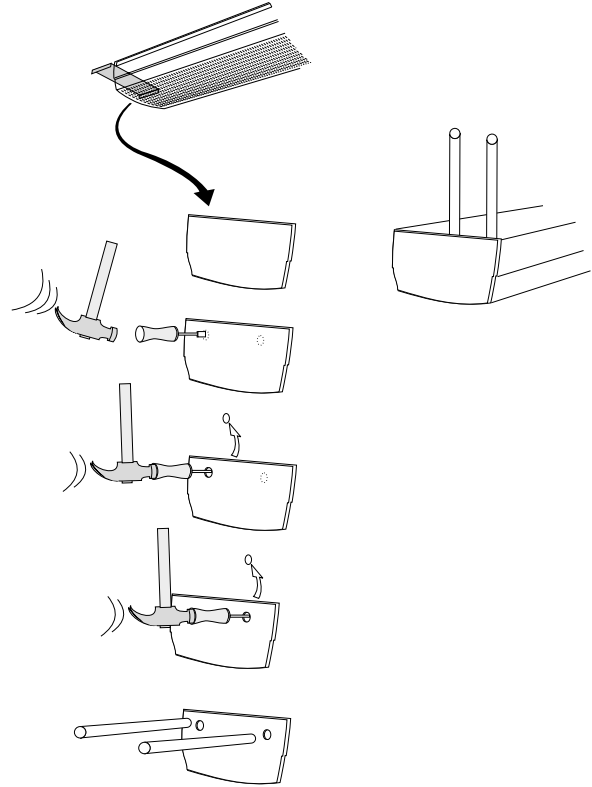
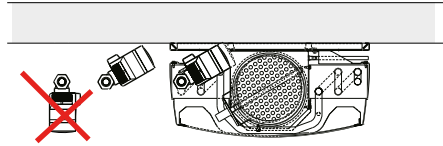
 Cu Ø12 x 1 mm

 Cu Ø12 x 1 mm



Max. recommended operating pressure: 1600 kPa
 Max. permissible inlet flow temperature: 60°C

Note that clamp ring couplings require support sleeves inside the pipes.



Commissioning / Injustering

1 Room 203
ADRIATIC VF c 1,8
22 l/s

2 ADRIATIC VF c 1,8

Model	Flow rate (l/s)	Pressure drop (Pa)	Resistance (Pa)
ADRIATIC VF c 1,8 L	17,5 - 26,5	3,14	3,14
ADRIATIC VF c 1,8 M	17,5 - 26,5	6,94	6,94
ADRIATIC VF c 1,8 H	17,5 - 26,5	9,69	9,69

q=17,5-26,5 (l/s)
k=3,19
q50%=>2LH
q50%=>2LH

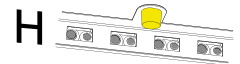
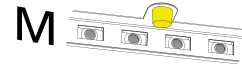
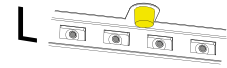
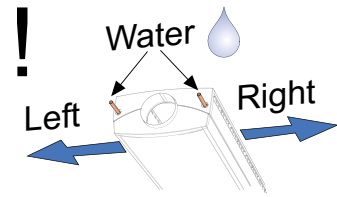
$$q = k \cdot \sqrt{p_i} \text{ [l/s]}$$

$$p_i = (q/k)^2 \text{ [Pa]}$$

L: $k_{600\text{mm (1side)}} = 0,314$

M: $k_{600\text{mm (1side)}} = 0,694$

H: $k_{600\text{mm (1side)}} = 0,969$

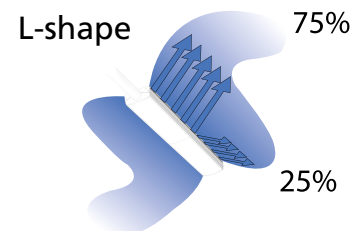
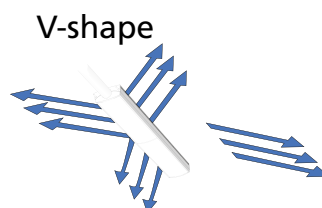
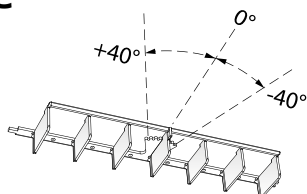


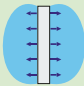
3

4

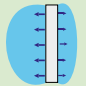
5

ADC

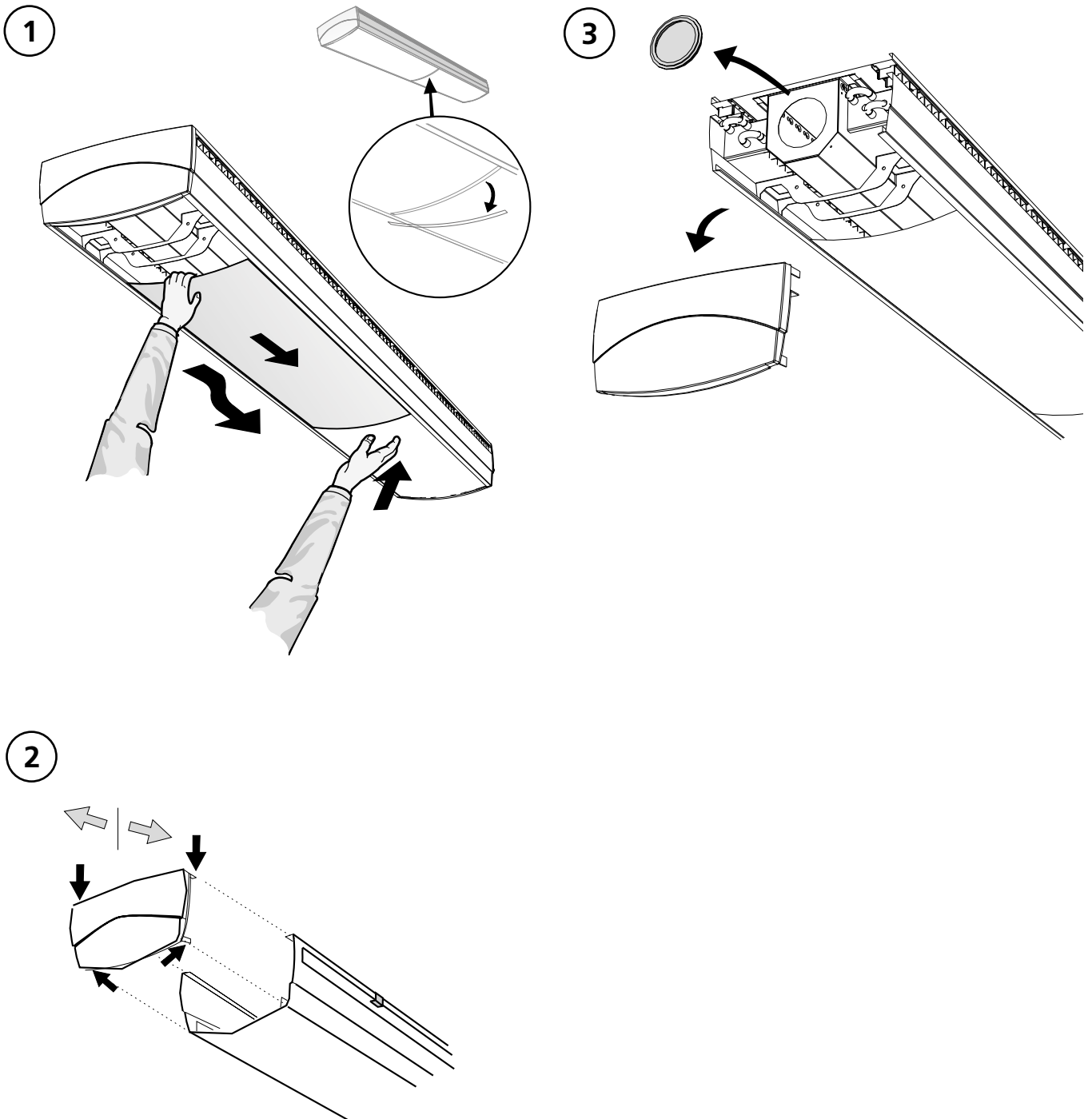


	SYMMETRIC (q=50%/50%) 				
	pi (Pa)	q (l/s)	k	q=50%	q=50%
ADRIATIC VFc 1,2-OH	30-70Pa	7-10,5	1,25	2L	2L
	30-70Pa	11-17	2,01	LM	LM
ADRIATIC VFc 1,5-I	30-70Pa	14-21,5	2,57	LH	LH
	30-70Pa	15,5-23,5	2,77	2M	2M
	30-70Pa	18,5-27,5	3,33	MH	MH
	30-70Pa	21,5-32,5	3,88	2H	2H
	30-70Pa	10,5-15,5	1,88	3L	3L
ADRIATIC VFc 1,8-OH	30-70Pa	14,5-22	2,64	2LM	2LM
	30-70Pa	17,5-26,5	3,19	2LH	2LH
ADRIATIC VFc 2,1-I	30-70Pa	21,5-33	3,95	LMH	LMH
	30-70Pa	24,5-37,5	4,5	L2H	L2H
	30-70Pa	28,5-44	5,26	M2H	M2H
	30-70Pa	31,5-48,5	5,81	3H	3H
	30-70Pa	13,5-21	2,51	4L	4L
	30-70Pa	18-27	3,27	3LM	3LM
ADRIATIC VFc 2,4-OH	30-70Pa	22-33,5	4,03	2L2M	2L2M
	30-70Pa	26,5-40	4,79	L3M	L3M
ADRIATIC VFc 2,7-I	30-70Pa	30,5-46	5,55	4M	4M
	30-70Pa	36,5-...	6,65	2M2H	2M2H
	30-70Pa	42,5-...	7,75	4H	4H
	30-70Pa	17,5-26	3,14	5L	5L
	30-70Pa	21,5-32,5	3,9	4LM	4LM
	30-70Pa	25,5-38,5	4,66	3L2M	3L2M
ADRIATIC VFc 3,0-OH	30-70Pa	30-45	5,42	2L3M	2L3M
	30-70Pa	34-51,5	6,18	L4M	L4M
ADRIATIC VFc 3,3-I	30-70Pa	41-...	7,49	4MH	4MH
	30-70Pa	47-...	8,59	2M3H	2M3H
	30-70Pa	20,5-31,5	3,76	6L	6L
	30-70Pa	25-37,5	4,52	5LM	5LM
ADRIATIC VFc 3,6-OH	30-70Pa	29-44	5,28	4L2M	4L2M
	30-70Pa	33-50,5	6,04	3L3M	3L3M
	30-70Pa	39,5-...	7,14	3LM2H	3LM2H
	30-70Pa	43,5-...	7,9	2L2M2H	2L2M2H
	30-70Pa	47,5-...	8,66	L3M2H	L3M2H
	30-70Pa	26,5-40	4,8	4LMH	6L
	30-70Pa	33-50,5	6,04	6M	6L
30-70Pa	37,5-...	6,87	3M3H	6L	
30-70Pa	40,5-...	7,42	M5H	6L	

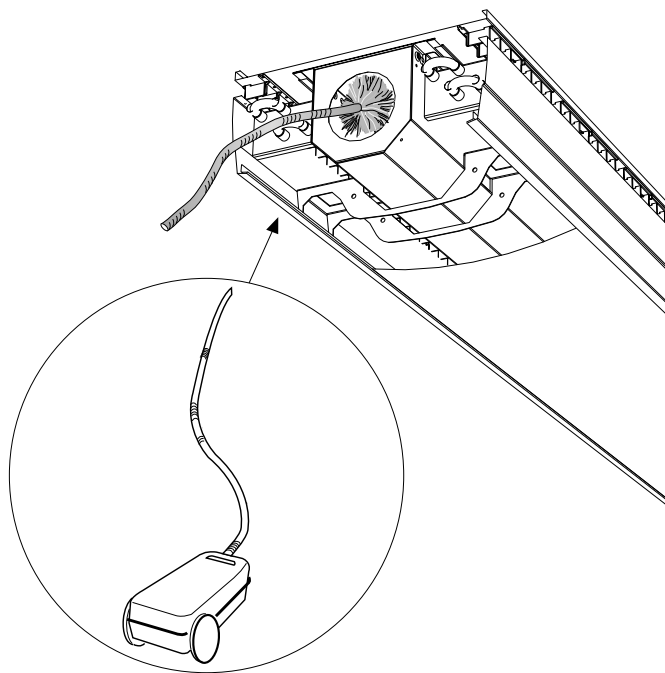


ASYMMETRIC (q≈70%/30%) 				
pi (Pa)	q (l/s)	k	q≈70%	q≈30%
30-70Pa	11-17	2,01	2M	2L
30-70Pa	14-21,5	2,57	2H	2L
30-70Pa	16-24,5	2,95	2H	LM
30-70Pa	14,5-22	2,64	L2M	3L
30-70Pa	19,5-30	3,57	M2H	3L
30-70Pa	21-32	3,85	3H	3L
30-70Pa	23-35,5	4,23	3H	2LM
30-70Pa	25,5-38,5	4,61	3H	L2M
30-70Pa	18-27	3,27	2L2M	4L
30-70Pa	22-33,5	4,03	4M	4L
30-70Pa	25-38	4,58	2M2H	4L
30-70Pa	28-42,5	5,13	4H	4L
30-70Pa	34,5-52	6,27	4H	L3M
30-70Pa	25,5-39	4,66	L4M	5L
30-70Pa	30,5-46,5	5,59	3M2H	5L
30-70Pa	35,5-...	6,41	5H	5L
30-70Pa	39-...	7,17	5H	3L2M
30-70Pa	26,5-40	4,8	4LMH	6L
30-70Pa	33-50,5	6,04	6M	6L
30-70Pa	37,5-...	6,87	3M3H	6L
30-70Pa	40,5-...	7,42	M5H	6L

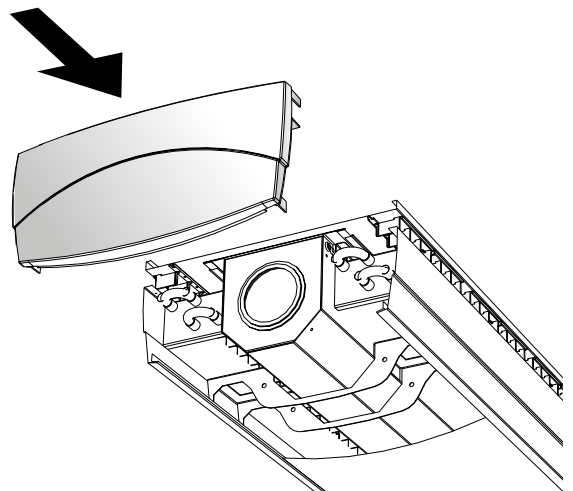
Maintenance / Skötsel



4



5



6

