

Climate beams

Operation and maintenance

Installation

The product is equipped with dust protected packaging that covers the battery and outlets. The film should remain in place during the building phase to protect the product from dust and dirt, but must be removed before the unit is used.

Pressure testing

Test with a pressure up to 900kPa. In the event of leakage due to product faults, Swegon will cover costs for the replacement or repair of the product on site. Any costs or subsequent damage occurring before pressure testing or due to pressure testing being neglected or carried out too late will not be covered by Swegon.

Remember pressure testing is a precautionary measure to ensure that installation has been carried out correctly and that damage has not occurred during transport, installation or through any other handling. Accordingly, the complete installation/loops and any component parts should be observed throughout the entire pressure testing process.

Note! If the unit shall be supplemented with another electrical device, i.e. a light fitting, pressure testing should be carried out before this is fitted.

Commissioning

For commissioning and k-factor, see separate folder "Commissioning guide" Swegon's website: www.swegon.com

Function

See the products technical documentation.

Maintenance

Swegon ceiling units are characterised by not containing any moving parts. Therefore they require no maintenance other than cleaning. The interval between cleaning varies depending on the type of product, the placement of the product and the type of activities carried out in the building, but can under normal conditions be set to 5 years.

Enamelled surfaces are cleaned using a mild soapy solution, never use a solvent as this can damage the enamelled surfaces.

Air ducting (in relevant cases) can be cleaned via the cleaning cover on the air ducting.

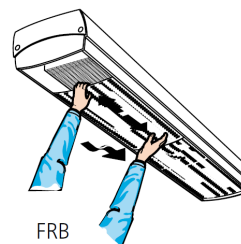
Convectors are cleaned using a vacuum cleaner nozzle run over the convector's external surfaces.

In general, convectors mounted above suspended ceilings seldom require cleaning due to the very low air velocity caused by the circulating air.

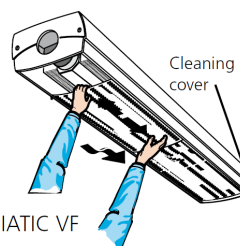
Inspection

Inspection of the suspension fittings and visible soldered joints should be carried out when cleaning. If any part is loose or if there are drops of water on soldered joints the units must be checked and any faults rectified.

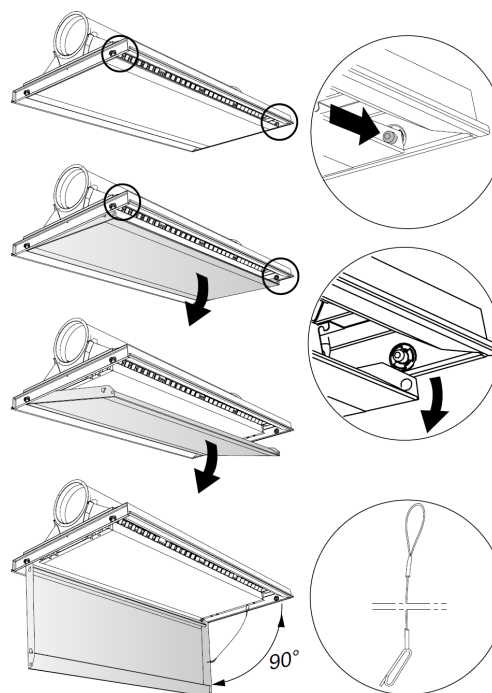
Removing the lower section



FRB



ADRIATIC VF



PACIFIC

All underplates has mounted safety ropes. These should not be removed.