

# FRB C

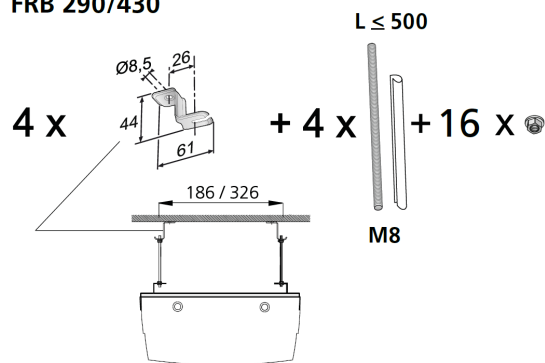
Installation – Maintenance

20160301

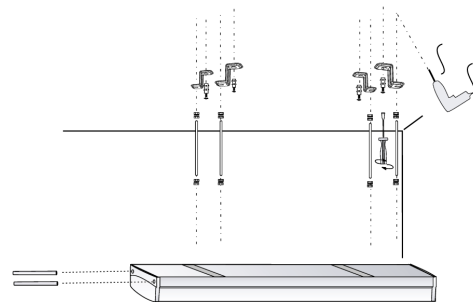
## Installation

**A**

FRB 290/430

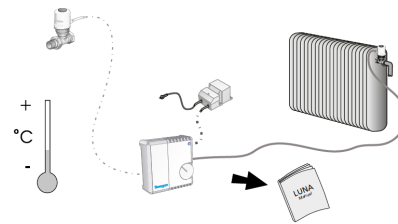
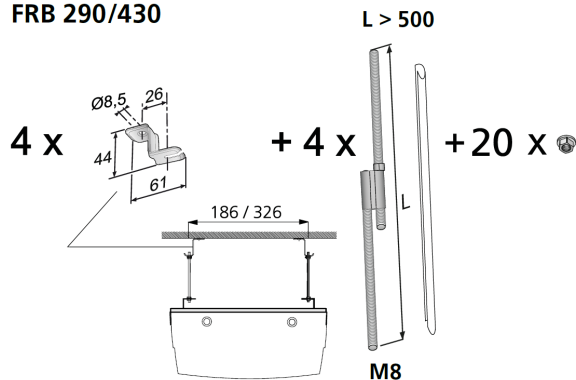



**A/B**



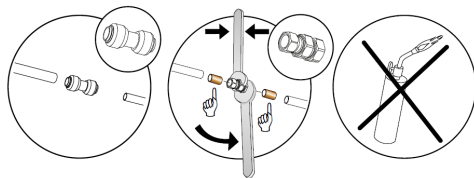
**B**

FRB 290/430



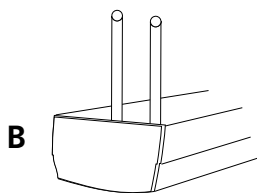
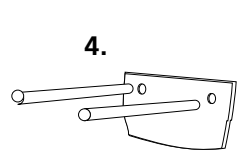
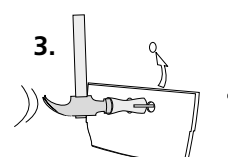
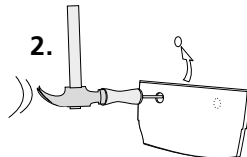
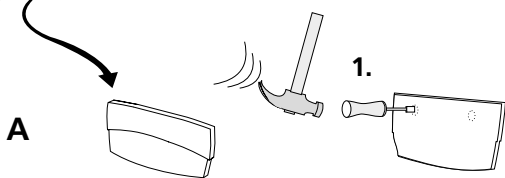
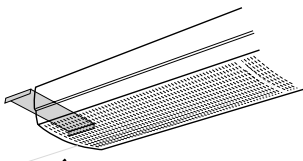
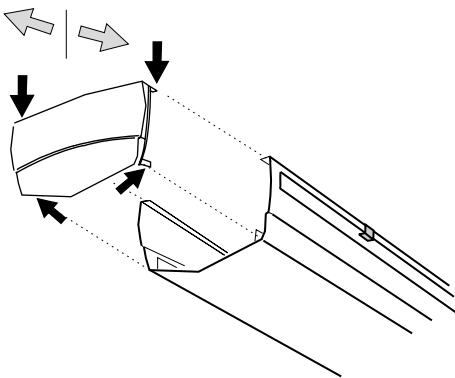
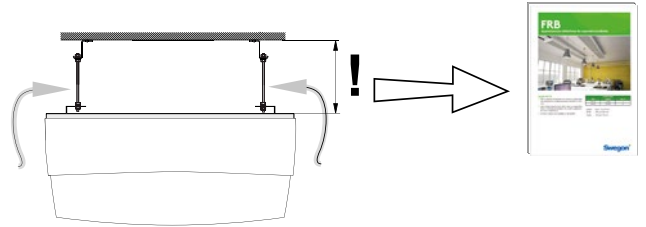
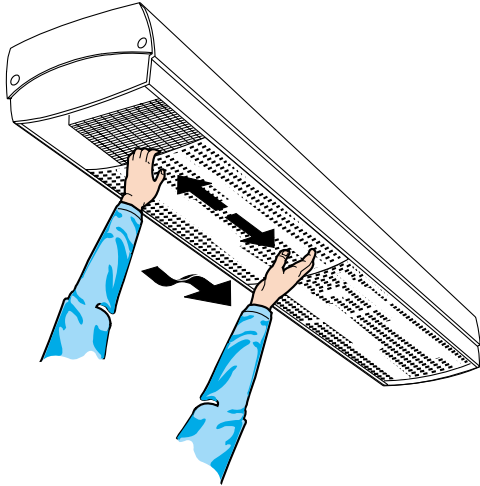
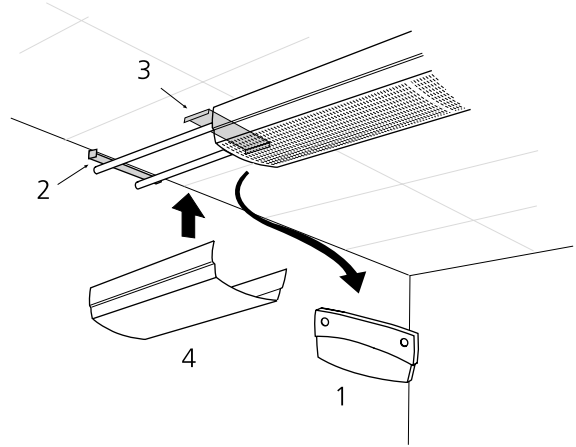
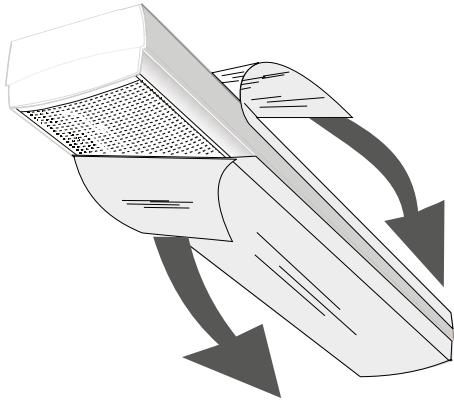
 Cu Ø12 x 1 mm

Max. recommended operating pressure: 1600kPa



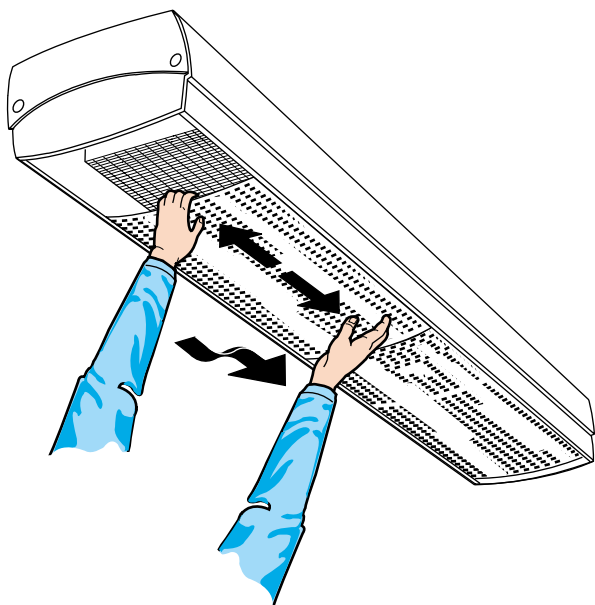
20-35 Nm

**Swegon**

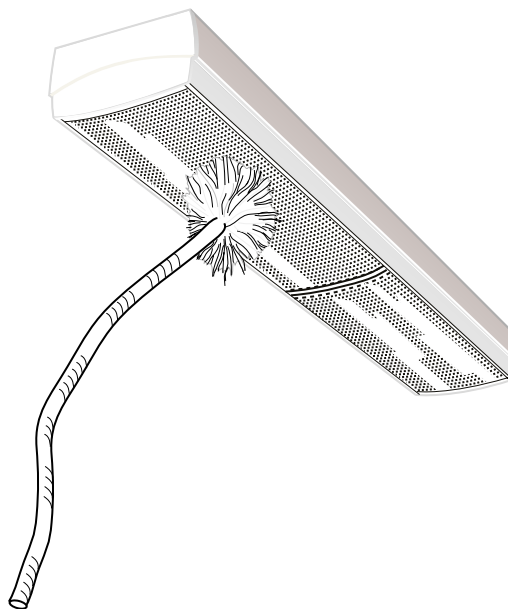


# Maintenance

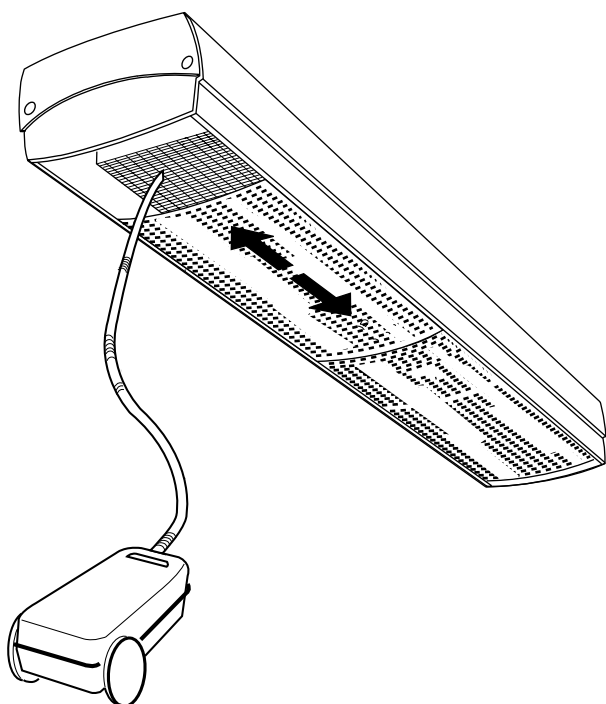
①

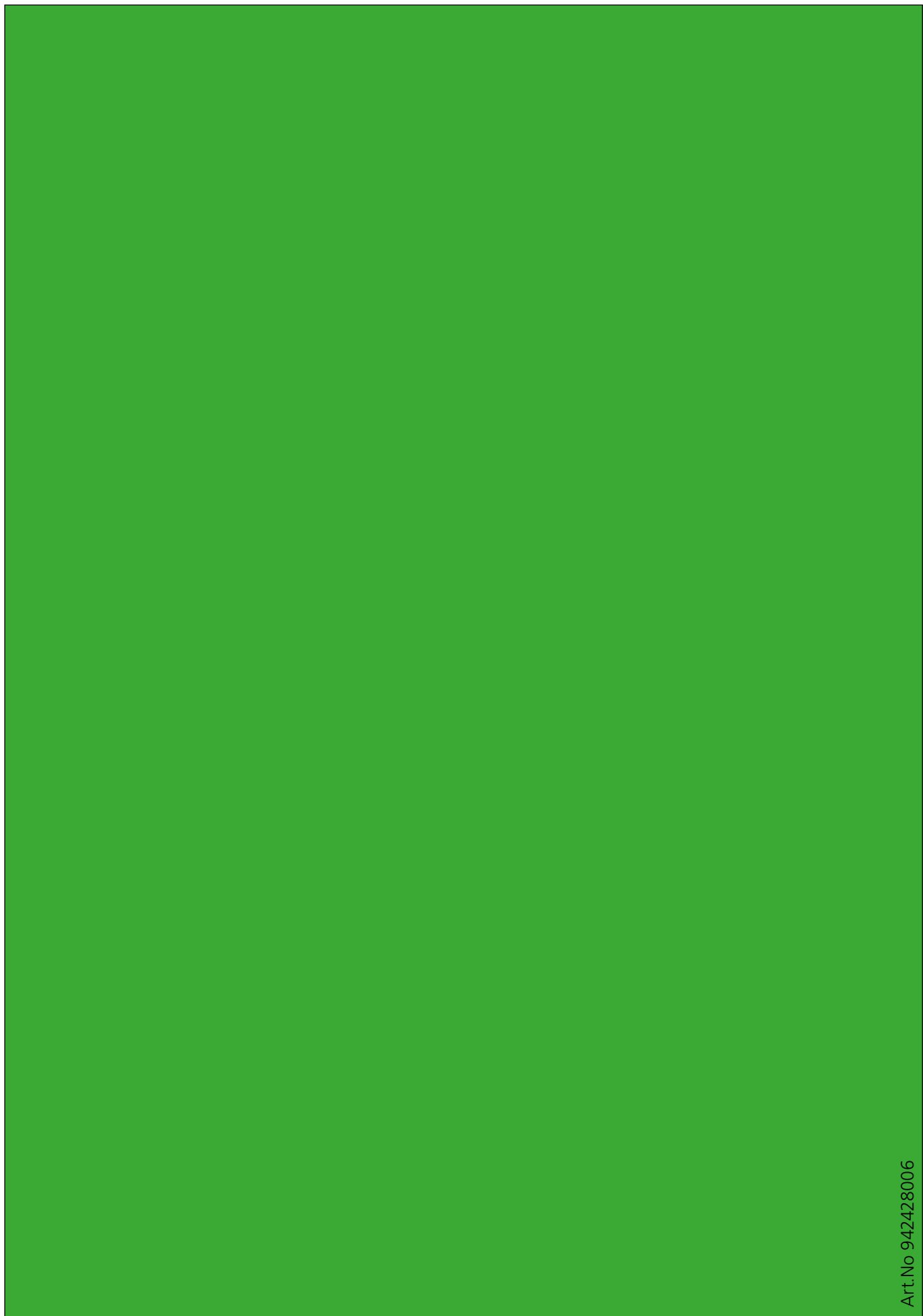


③



②





Art. No 942428006