

# PACIFIC<sub>b</sub>

Installation – Commissioning – Maintenance

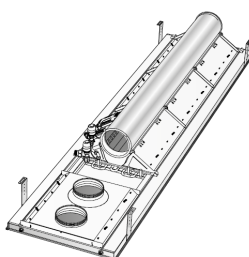
20170915

## Installation / Montering

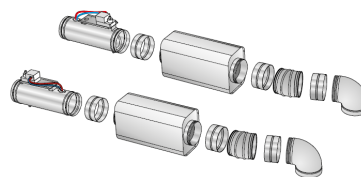
PACIFIC



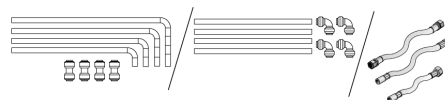
PACIFIC SA/EA



SA/EA kit



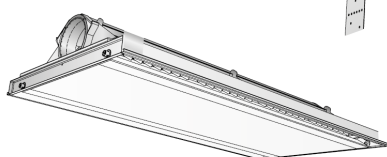
Accessories



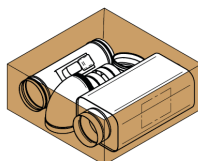
8x



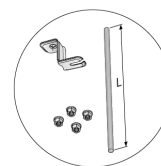
4x



SA / EA kit



4 x

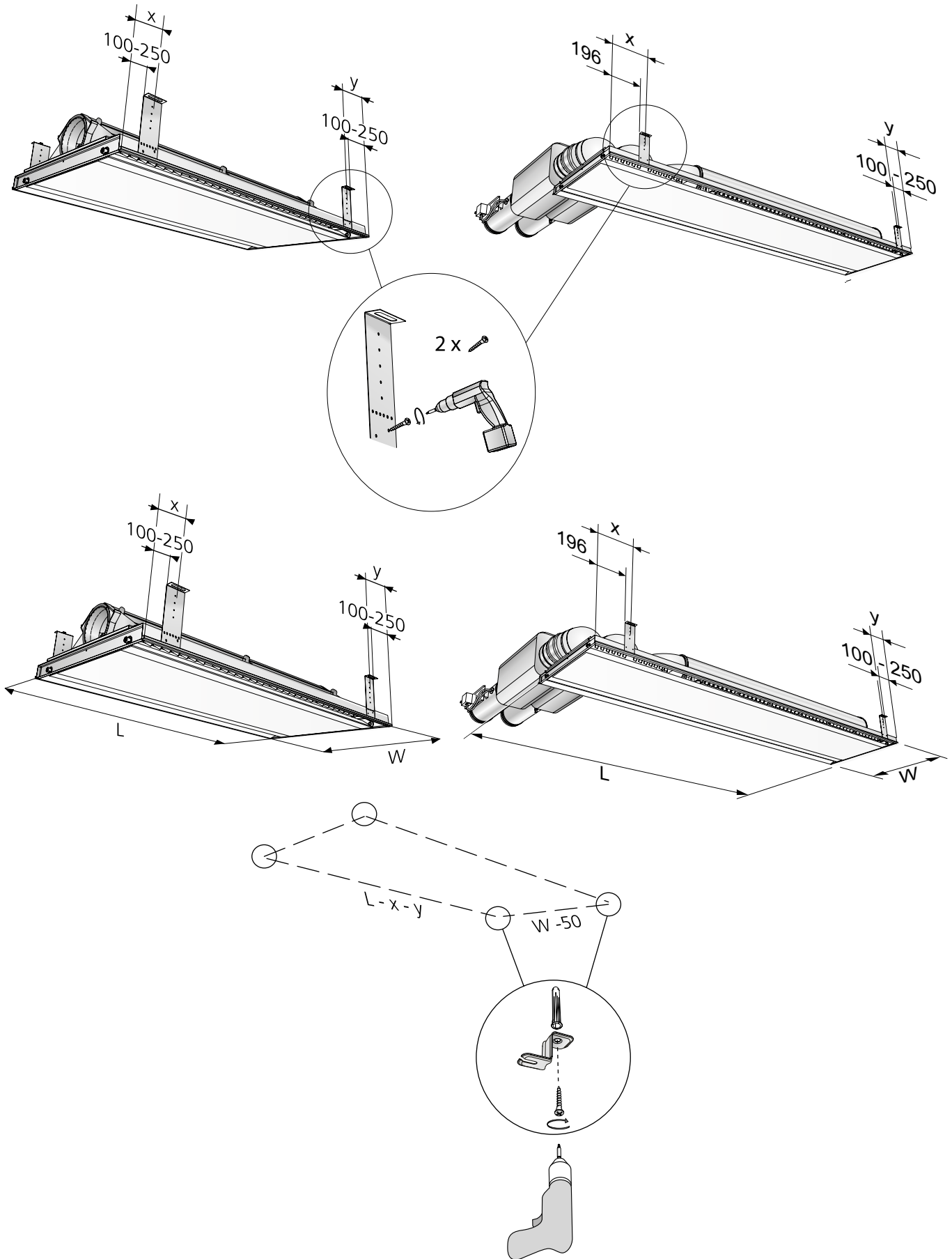


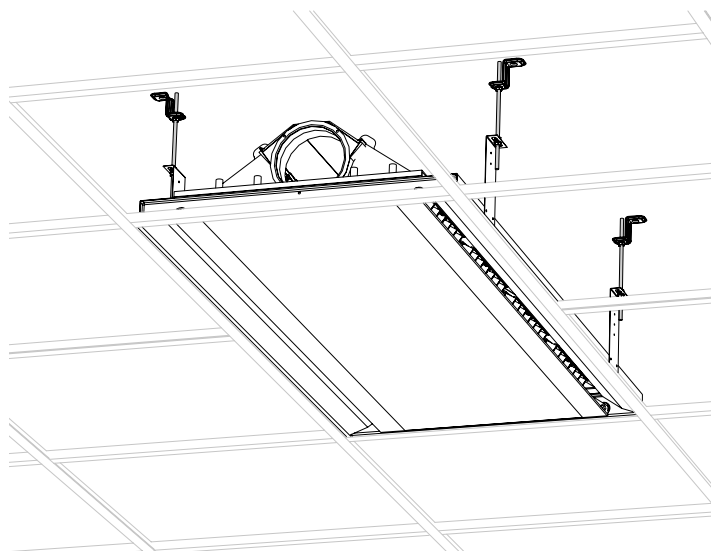
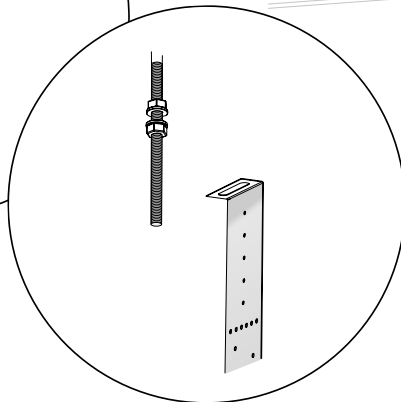
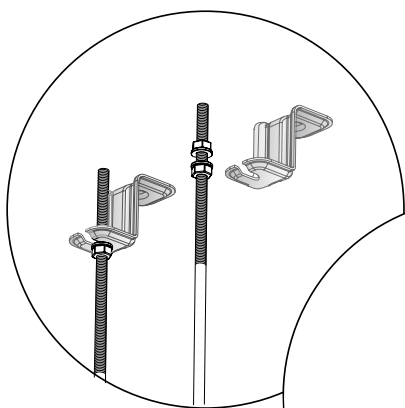
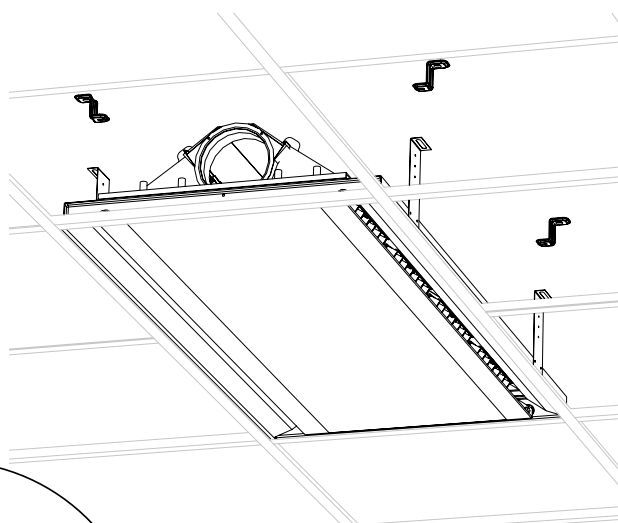
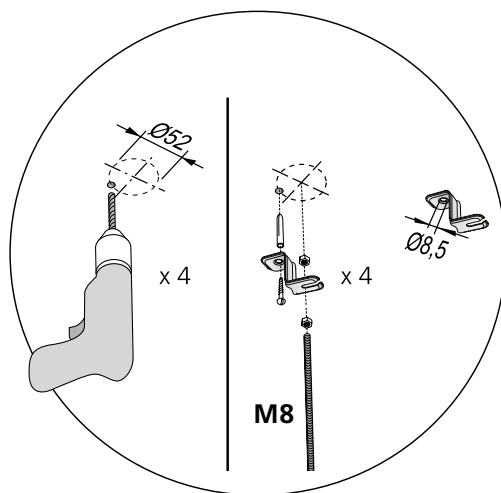
Swegon

# Suspension / Upphängning

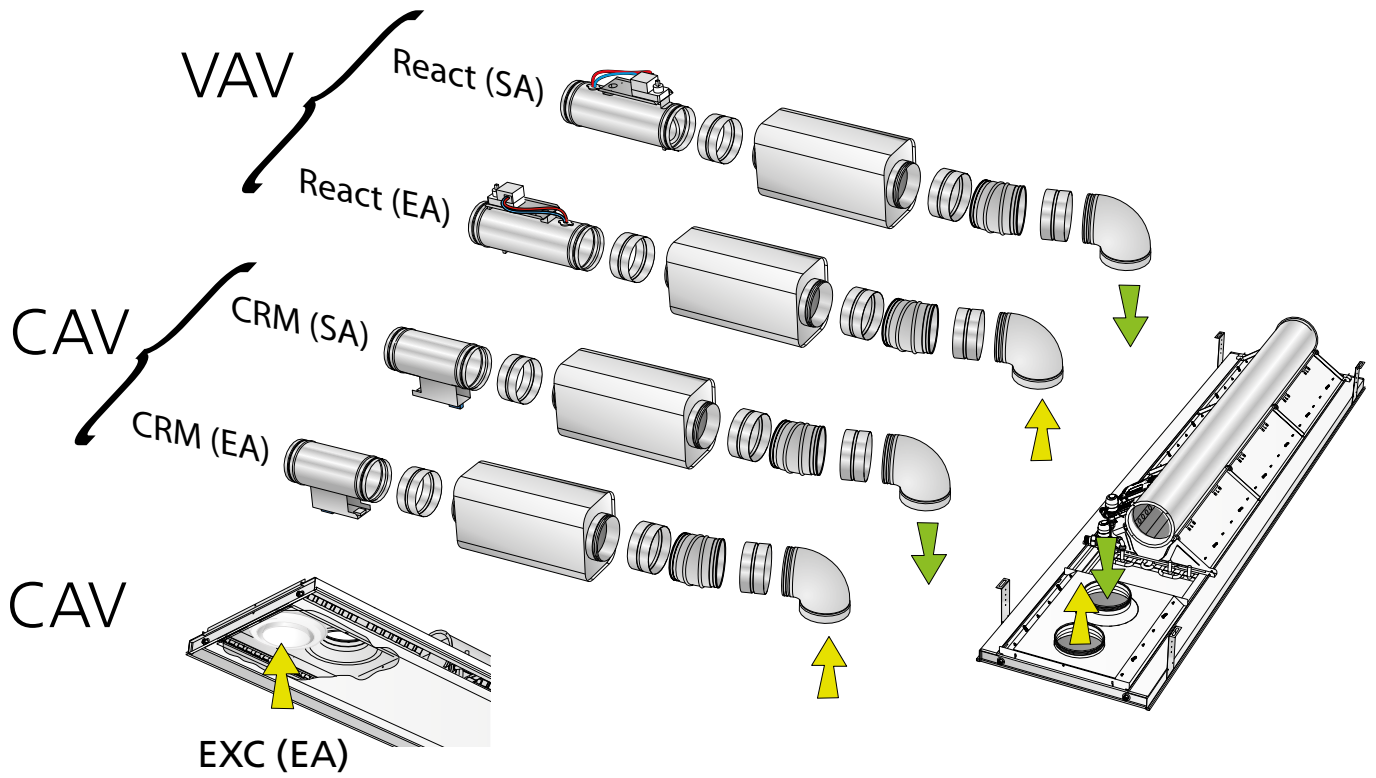
PACIFIC

PACIFIC SA/EA

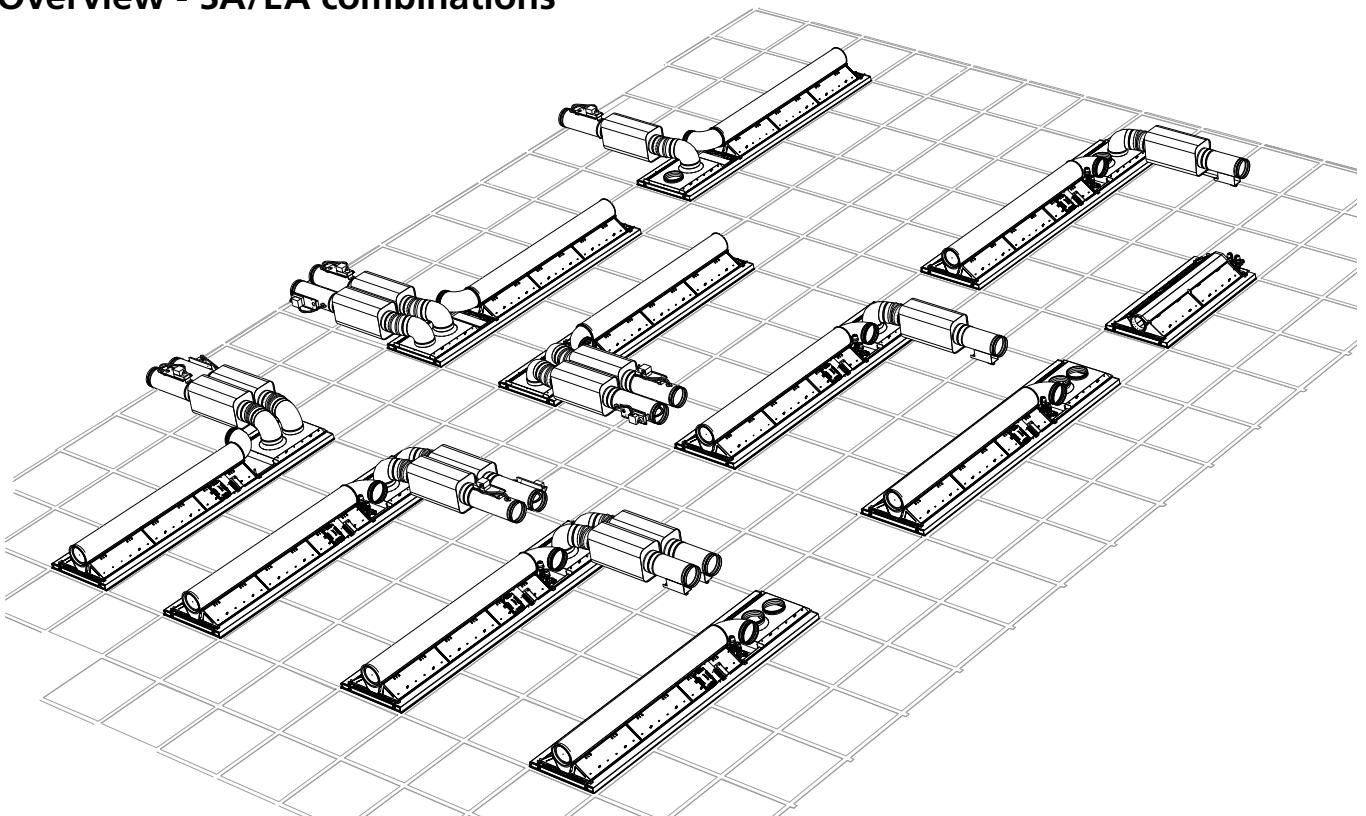




# SA / EA kit (Supply air / Extract air)

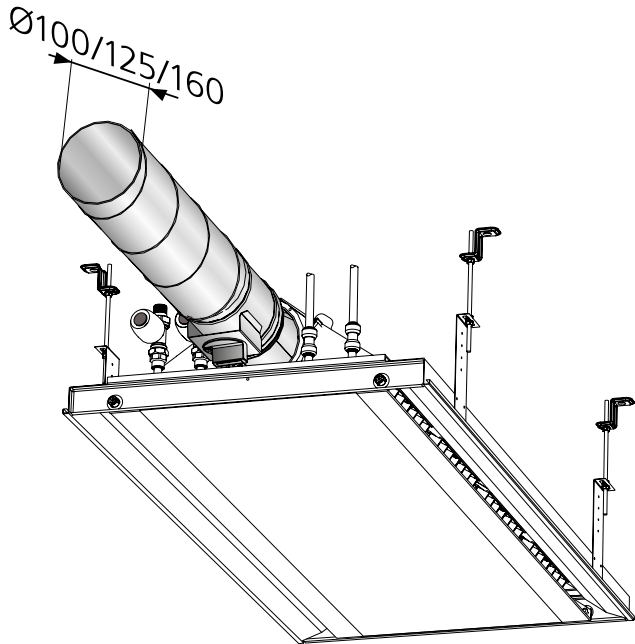


## Overview - SA/EA combinations

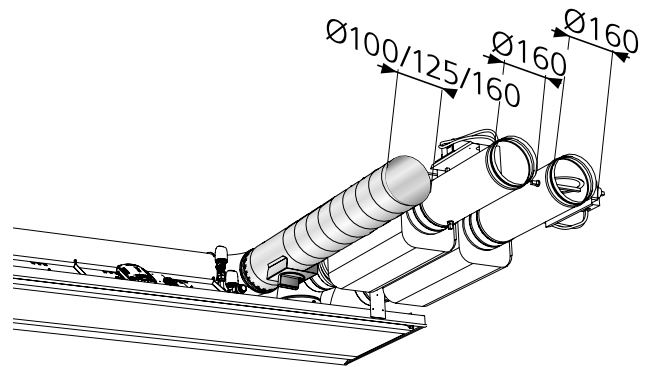


# Air

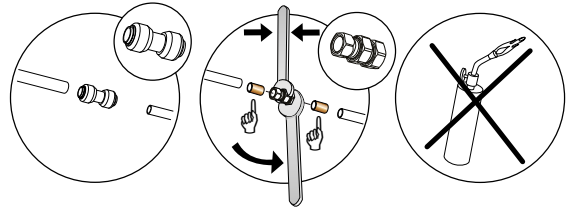
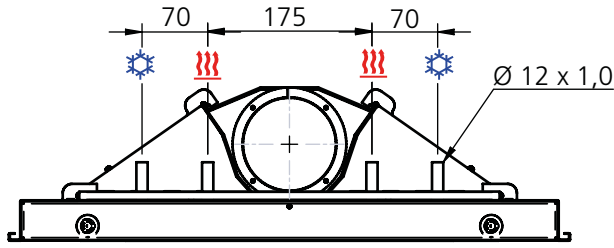
PACIFIC



PACIFIC SA/EA



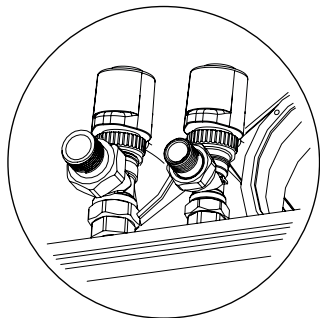
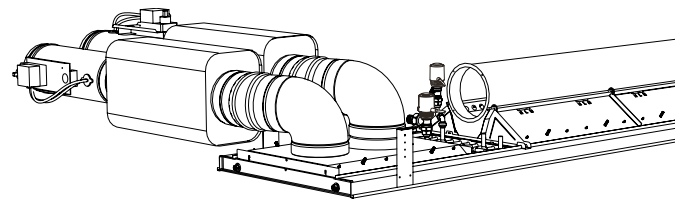
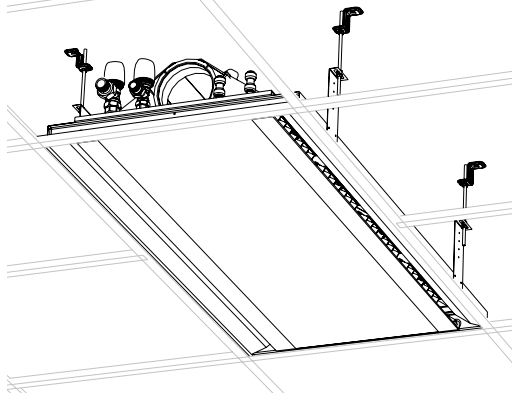
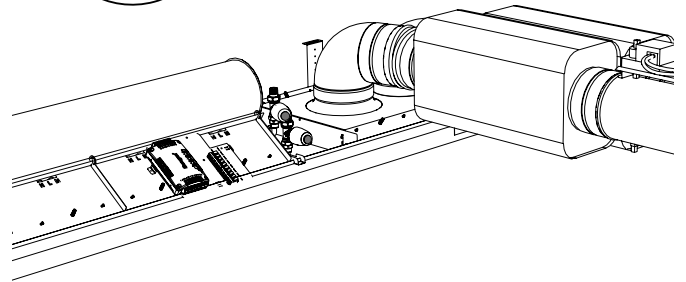
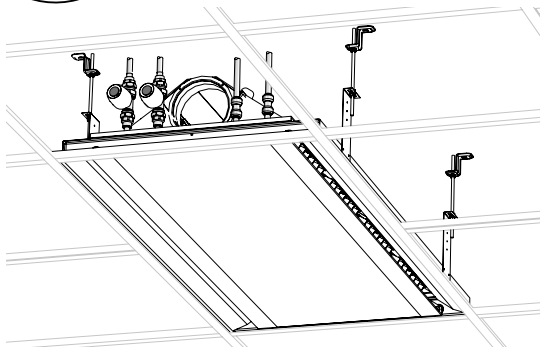
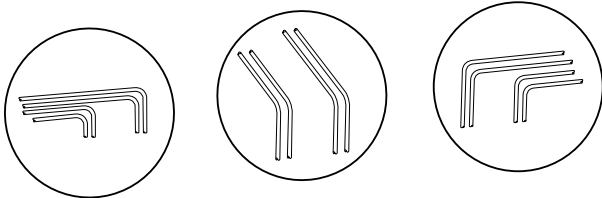
# Water



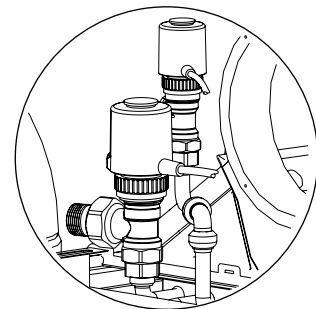
Max. recommended operating pressure: 1600 kPa  
 Max. permissible inlet flow temperature: 60°C

## PACIFIC

## PACIFIC SA/EA



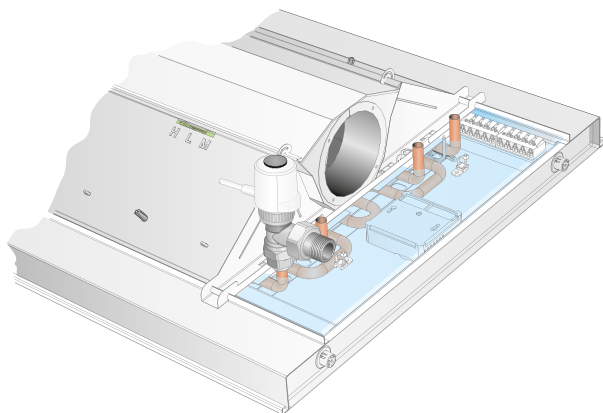
cooling ❄️	heating 🌊
DN20 (3/4")	DN15 (1/2")



# PACIFIC with control Equipment

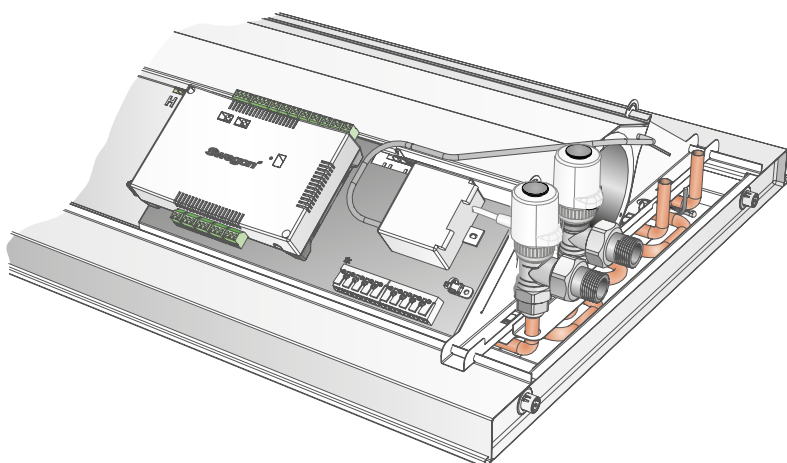
## PACIFIC with LUNA control Equipment

See LUNA installation instruction:

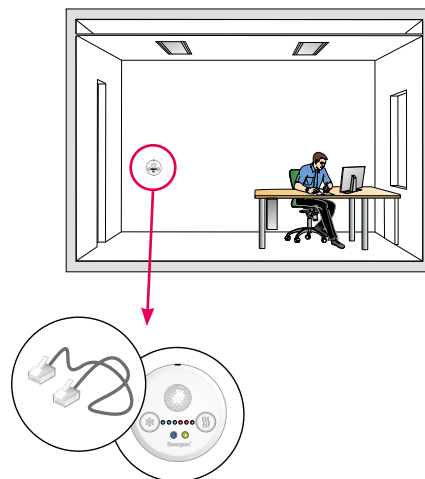
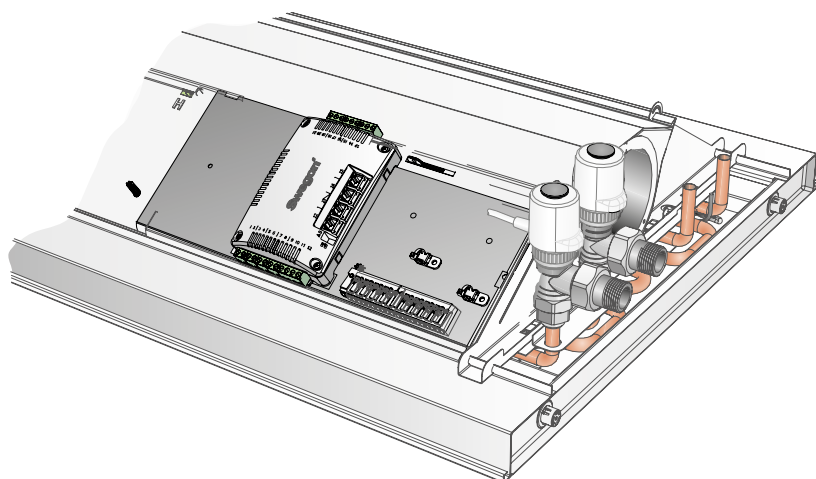


## PACIFIC with CONDUCTOR control Equipment

See CONDUCTOR installation instruction:

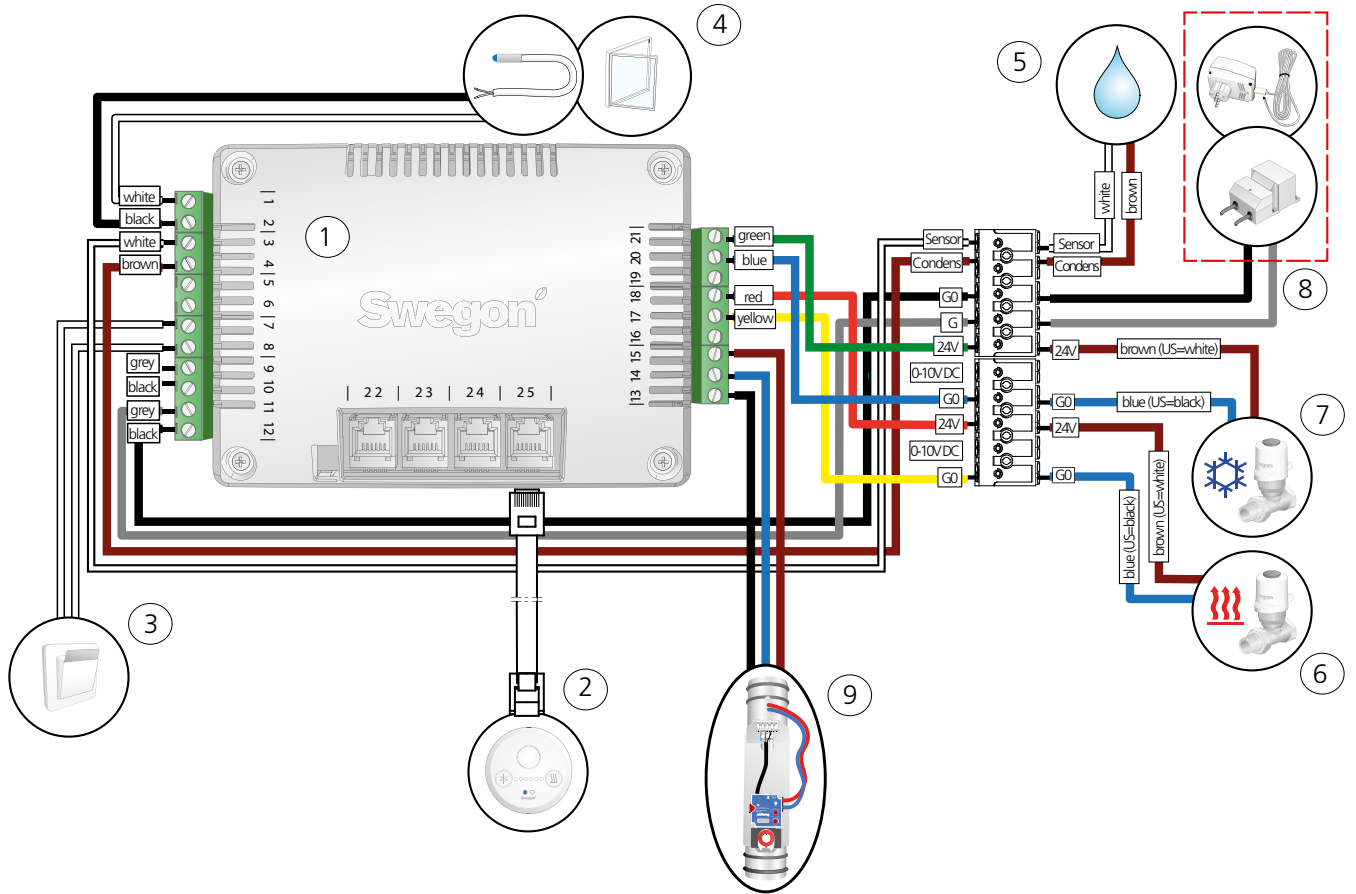


## PACIFIC with URC1 control Equipment



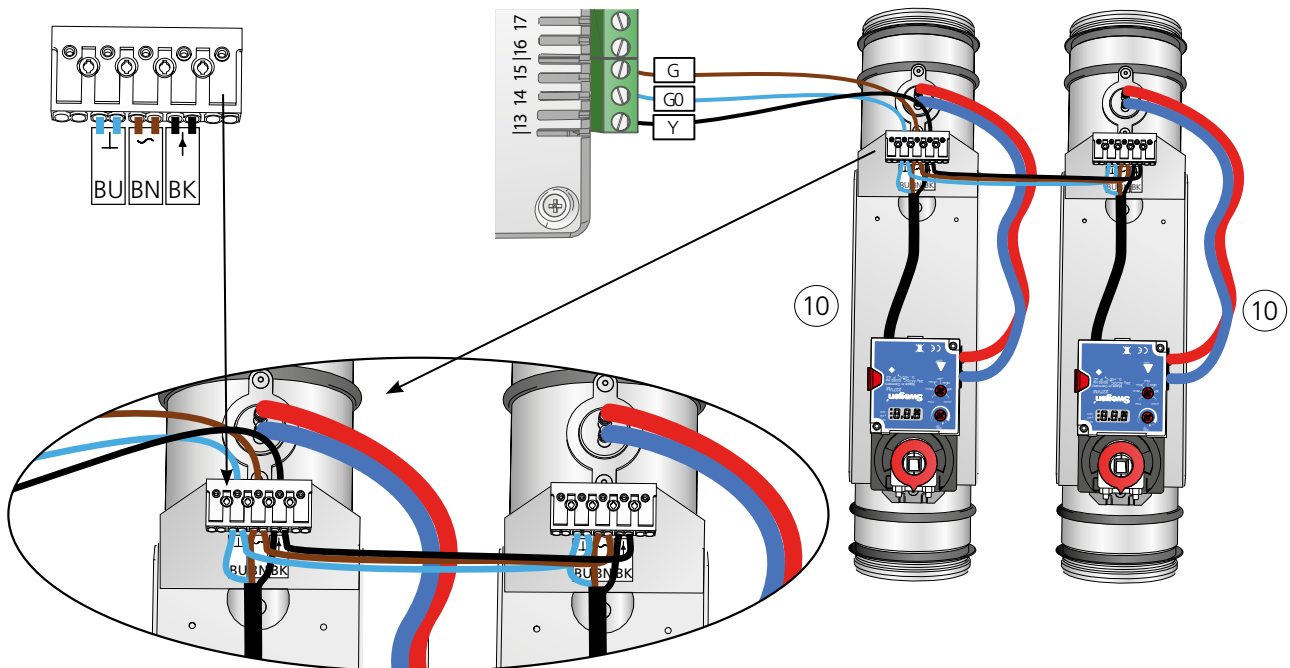


# URC1 / PACIFIC



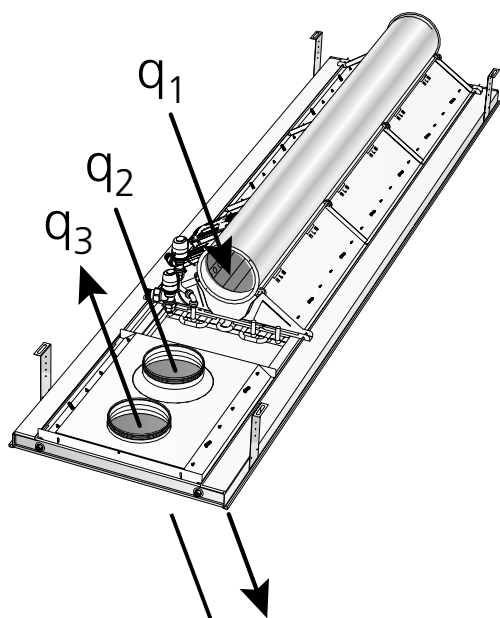
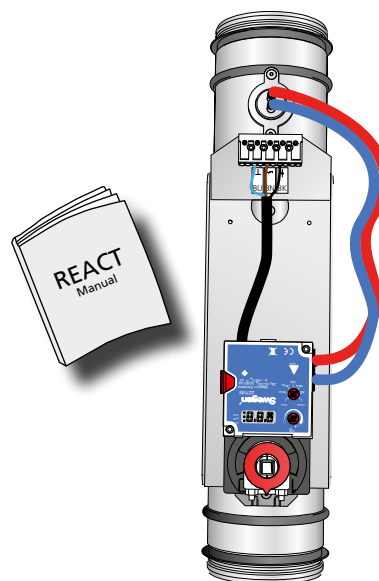
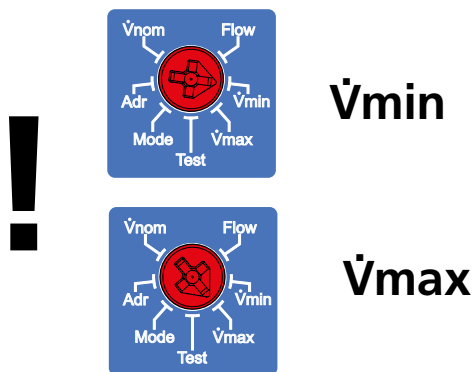
- 1. Regulator
- 2. Sensor module
- 3. Key card switch
- 4. Temperature sensor /Window contact
- 5. Condensation sensor
- 6. Valve actuator, heating
- 7. Valve actuator, cooling
- 8. Transformer
- 9. REACT commissioning damper

# URC1 / PACIFIC SA/EA with VAV-kit



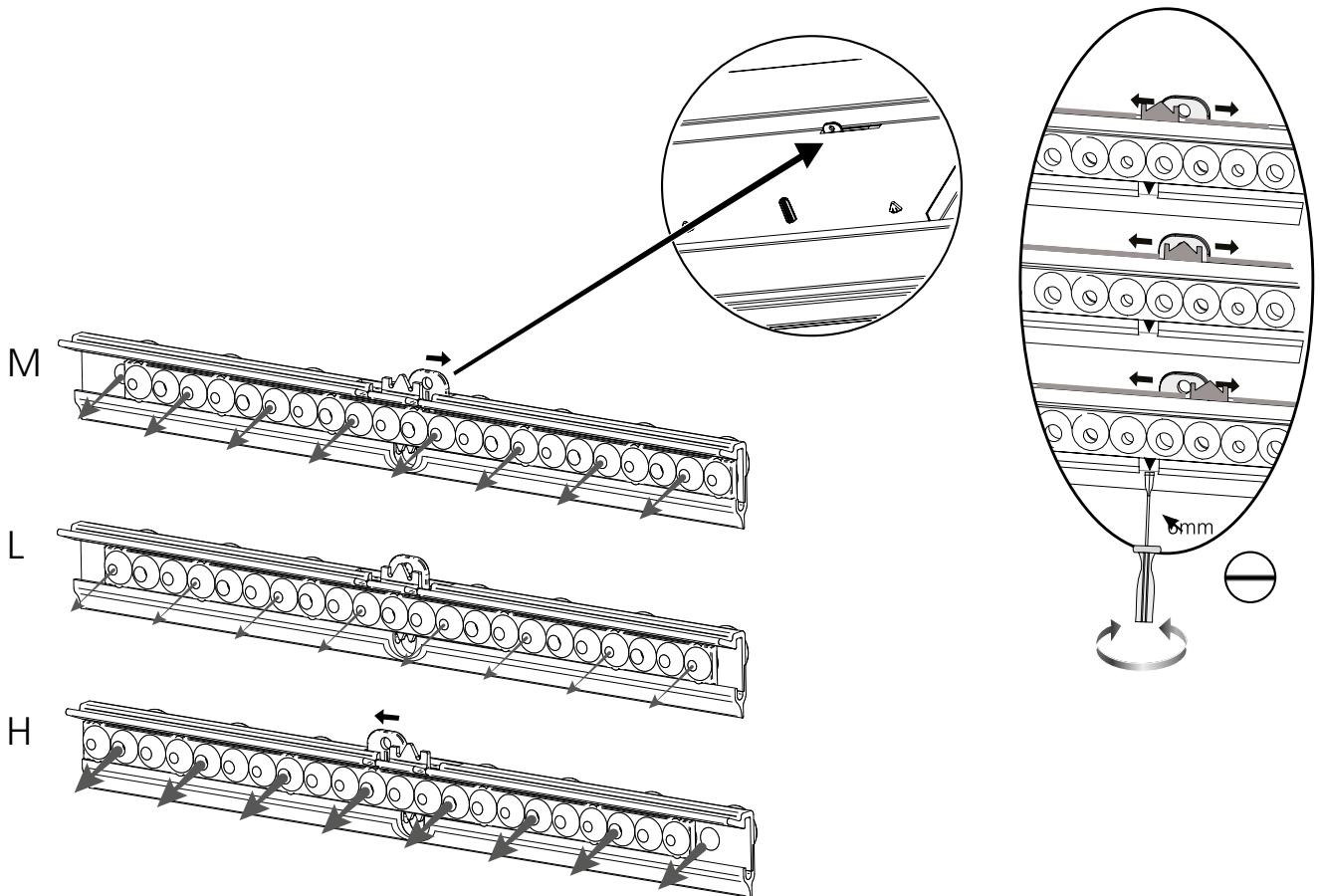
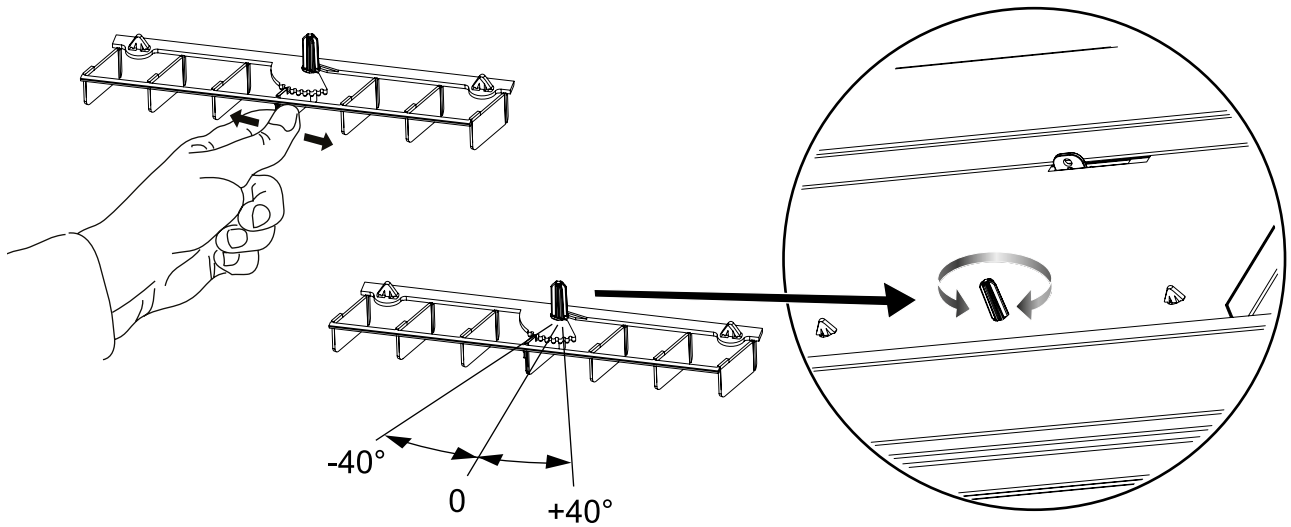


# PACIFIC SA/EA with VAV kit

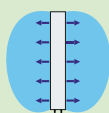


$q_1 = \text{Pacific}$   
 $q_2 = \text{SA}$   
 $q_3 = \text{EA}$   
 $q_3 = q_{\text{tot}} = q_1 + q_2$

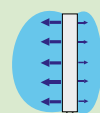
# Commissioning / Injustering



PACIFIC LF b, Symmetric					
Size	q (l/s)	pi (Pa)	Air k <sub>pl</sub>	50 %	50 %
1100	5,9-10,2	50-150	0,83	4L	4L
	7,7-13,3	50-150	1,09	2L2M	2L2M
	9,3-16,1	50-150	1,31	2L2H	2L2H
	9,5-16,5	50-150	1,34	4M	4M
	11,1-19,2	50-150	1,57	2M2H	2M2H
	12,7-21,9	50-150	1,79	4H	4H
1600	8,8-15,3	50-150	1,25	6L	6L
	10,6-18,4	50-150	1,50	4L2M	4L2M
	12,2-21,2	50-150	1,73	4L2H	4L2H
	14,3-24,7	50-150	2,02	6M	6M
	17,4-30,2	50-150	2,46	2M4H	2M4H
	19,0-32,9	50-150	2,69	6H	6H
2200	11,8-20,4	50-150	1,66	8L	8L
	13,6-23,5	50-150	1,92	6L2M	6L2M
	15,4-26,7	50-150	2,18	4L4M	4L4M
	19,0-32,9	50-150	2,69	8M	8M
	22,2-38,4	50-150	3,14	4M4H	4M4H
	25,3-43,9	50-150	3,58	8H	8H
2700	14,7-25,5	50-150	2,08	10L	10L
	16,5-28,6	50-150	2,34	8L2M	8L2M
	18,3-31,7	50-150	2,59	6L4M	6L4M
	23,8-41,2	50-150	3,36	10M	10M
	28,5-49,4	50-150	4,03	4M6H	4M6H
	31,7-54,9	50-150	4,48	10H	10H



PACIFIC LF b, Asymmetric				
q (l/s)	pi (Pa)	Air k <sub>pl</sub>	70 %	30 %
7,7-13,3	50-150	1,09	4M	4L
9,3-16,1	50-150	1,31	4H	4L
10,2-17,6	50-150	1,44	4H	2L2M
11,1-19,2	50-150	1,57	4H	4M
10,6-18,4	50-150	1,50	2L2M	6L
13,1-22,7	50-150	1,86	2M4H	6L
13,9-24,1	50-150	1,97	6H	6L
14,8-25,7	50-150	2,10	6H	4L2M
15,7-27,2	50-150	2,22	6H	2L4M
16,6-28,8	50-150	2,35	6H	6M
13,6-23,5	50-150	1,92	4L4M	8L
15,4-26,7	50-150	2,18	8M	8L
17,0-29,4	50-150	2,40	4M4H	8L
18,6-32,1	50-150	2,62	8H	8L
21,3-36,8	50-150	3,01	8H	2L6M
22,2-38,4	50-150	3,14	8H	8M
18,3-31,7	50-150	2,59	2L8M	10L
20,8-36,1	50-150	2,94	6M4H	10L
23,2-40,2	50-150	3,28	10H	10L
25,0-43,3	50-150	3,54	10H	6L4M
25,9-44,9	50-150	3,66	10H	4L6M
27,7-48,0	50-150	3,92	10H	10M



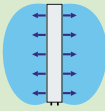
**K-factor/nozzle strip and Number of strips/ capacity module**

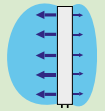
Different positions			Airflow variant
			LF
L = Low flow		<b>L</b>	0.104
M = Medium flow		<b>M</b>	0.168
H = High flow		<b>H</b>	0.224

Number of strips		
Size	Side 2	Side 4
1100	4	4
1600	6	6
2200	8	8
2700	10	10

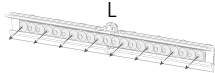
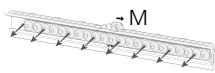
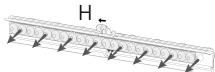
Example for LF: Pacific 1792-1600 LF, Nozzle setting L2M3H/3LM2H

Total K-factor = 0,104 + 2 x 0,168 + 3 x 0,224 + 3 x 0,104 + 0,168 + 2 x 0,224 = 2,04

PACIFIC MF b, Symmetric 					
Size	q (l/s)	pi (Pa)	Air k <sub>pl</sub>	50 %	50 %
1100	6,7-14,9	30-150	1,22	4L	4L
	8,9-20,0	30-150	1,63	2L2M	2L2M
	10,5-23,5	30-150	1,92	2L2H	2L2H
	11,2-25,1	30-150	2,05	4M	4M
	12,8-28,6	30-150	2,34	2M2H	2M2H
	14,4-32,1	30-150	2,62	4H	4H
1600	10,0-22,3	30-150	1,82	6L	6L
	12,3-27,4	30-150	2,24	4L2M	4L2M
	13,8-31,0	30-150	2,53	4L2H	4L2H
	16,8-37,6	30-150	3,07	6M	6M
	20,0-44,7	30-150	3,65	2M4H	2M4H
	21,6-48,2	30-150	3,94	6H	6H
2200	13,3-29,8	30-150	2,43	8L	8L
	15,6-34,9	30-150	2,85	6L2M	6L2M
	17,9-40,0	30-150	3,26	4L4M	4L4M
	22,4-50,2	30-150	4,10	8M	8M
	25,6-57,2	30-150	4,67	4M4H	4M4H
	28,7-64,3	30-150	5,25	8H	8H
2700	16,7-37,2	30-150	3,04	10L	10L
	18,9-42,3	30-150	3,46	8L2M	8L2M
	21,2-47,4	30-150	3,87	6L4M	6L4M
	28,0-62,7	30-150	5,12	10M	10M
	32,8-73,3	30-150	5,98	4M6H	4M6H
	35,9-80,3	30-150	6,56	10H	10H

PACIFIC MF b, Asymmetric 				
q (l/s)	pi (Pa)	Air k <sub>pl</sub>	70 %	30 %
8,9-20,0	30-150	1,63	4M	4L
10,5-23,5	30-150	1,92	4H	4L
11,7-26,1	30-150	2,13	4H	2L2M
12,8-28,6	30-150	2,34	4H	4M
12,3-27,4	30-150	2,24	2L4M	6L
15,0-33,5	30-150	2,74	2M4H	6L
15,8-35,3	30-150	2,88	6H	6L
16,9-37,8	30-150	3,09	6H	4L2M
18,1-40,4	30-150	3,30	6H	2L4M
19,2-42,9	30-150	3,50	6H	6M
15,6-34,9	30-150	2,85	4L4M	8L
17,9-40,0	30-150	3,26	8M	8L
19,5-43,5	30-150	3,55	4M4H	8L
21,0-47,0	30-150	3,84	8H	8L
24,5-54,7	30-150	4,46	8H	2L6M
25,6-57,2	30-150	4,67	8H	8M
21,2-47,4	30-150	3,87	2L8M	10L
23,9-53,5	30-150	4,37	6M4H	10L
26,3-58,8	30-150	4,80	10H	10L
28,6-63,9	30-150	5,22	10H	6L4M
29,7-66,4	30-150	5,42	10H	4L6M
32,0-71,5	30-150	5,84	10H	10M

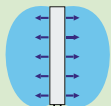
**K-factor/nozzle strip and Number of strips/ capacity module**

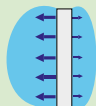
Different positions			Airflow variant	
			MF	
L = Low flow		<b>L</b>	0.152	
M = Medium flow		<b>M</b>	0.256	
H = High flow		<b>H</b>	0.328	

Number of strips		
Size	Side 2	Side 4
1100	4	4
1600	6	6
2200	8	8
2700	10	10

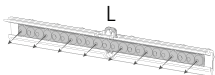
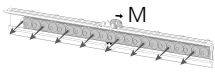
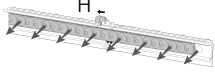
**Example for MF: Pacific 1792-1600 MF, Nozzle setting L2M3H/3LM2H**

**Total K-factor = 0,152 + 2 x 0,256 + 3 x 0,328 + 3 x 0,152 + 0,256 + 2 x 0,328 = 3,016**

PACIFIC HF b, Symmetric 					
Size	q (l/s)	pi (Pa)	Air k <sub>pl</sub>	50 %	50 %
1100	6,7-14,9	30-150	1,22	4L	4L
	9,8-21,9	30-150	1,79	2L2M	2L2M
	11,9-26,7	30-150	2,18	2L2H	2L2H
	13,0-29,0	30-150	2,37	4M	4M
	15,1-33,7	30-150	2,75	2M2H	2M2H
	17,2-38,4	30-150	3,14	4H	4H
1600	10,0-22,3	30-150	1,82	6L	6L
	13,1-29,4	30-150	2,40	4L2M	4L2M
	15,2-34,1	30-150	2,78	4L2H	4L2H
	19,5-43,5	30-150	3,55	6M	6M
	23,7-52,9	30-150	4,32	2M4H	2M4H
	25,8-57,6	30-150	4,70	6H	6H
2200	13,3-29,8	30-150	2,43	8L	8L
	16,5-36,8	30-150	3,01	6L2M	6L2M
	19,6-43,9	30-150	3,58	4L4M	4L4M
	25,9-58,0	30-150	4,74	8M	8M
	30,1-67,4	30-150	5,50	4M4H	4M4H
	34,4-76,8	30-150	6,27	8H	8H
2700	16,7-37,2	30-150	3,04	10L	10L
	19,8-44,3	30-150	3,62	8L2M	8L2M
	23,0-51,3	30-150	4,19	6L4M	6L4M
	32,4-72,5	30-150	5,92	10M	10M
	38,7-86,6	30-150	7,07	4M6H	4M6H
	42,9-96,0	30-150	7,84	10H	10H

PACIFIC HF b, Asymmetric 				
q (l/s)	pi (Pa)	Air k <sub>pl</sub>	70 %	30 %
9,8-21,9	30-150	1,79	4M	4L
11,9-26,7	30-150	2,18	4H	4L
13,5-30,2	30-150	2,46	4H	2L2M
15,1-33,7	30-150	2,75	4H	4M
13,1-29,4	30-150	2,40	2L4M	6L
16,8-37,6	30-150	3,07	2M4H	6L
17,9-40,0	30-150	3,26	6H	6L
19,5-43,5	30-150	3,55	6H	4L2M
21,0-47,0	30-150	3,84	6H	2L4M
22,6-50,6	30-150	4,13	6H	6M
16,5-36,8	30-150	3,01	4L4M	8L
19,6-43,9	30-150	3,58	8M	8L
21,7-48,6	30-150	3,97	4M4H	8L
23,8-53,3	30-150	4,35	8H	8L
28,6-63,9	30-150	5,22	8H	2L6M
30,1-67,4	30-150	5,50	8H	8M
23,0-51,3	30-150	4,19	2L8M	10L
26,6-59,6	30-150	4,86	6M4H	10L
29,8-66,6	30-150	5,44	10H	10L
33,0-73,7	30-150	6,02	10H	6L4M
34,5-77,2	30-150	6,30	10H	4L6M
37,7-84,3	30-150	6,88	10H	10M

**K-factor/nozzle strip and Number of strips/ capacity module**

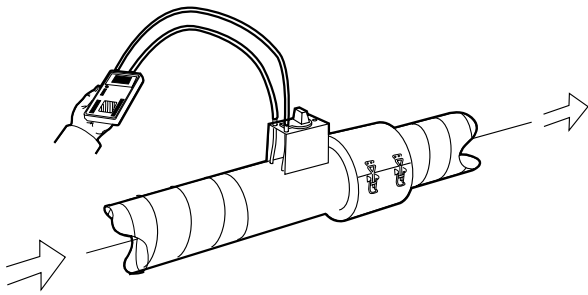
Different positions			Airflow variant	
			HF	
L = Low flow		<b>L</b>	0,152	
M = Medium flow		<b>M</b>	0,296	
H = High flow		<b>H</b>	0,392	

Number of strips		
Size	Side 2	Side 4
1100	4	4
1600	6	6
2200	8	8
2700	10	10

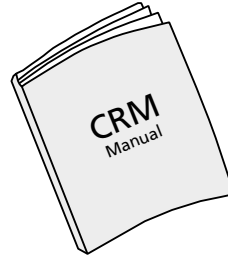
**Example for HF: Pacific 1792-1600 HF, Nozzle setting L2M3H/3LM2H**

**Total K-factor = 0,152 + 2 x 0,296 + 3 x 0,392 + 3 x 0,152 + 0,296 + 2 x 0,392 = 3,456**

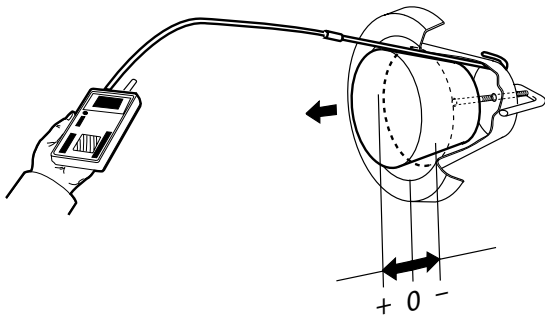
## CRM 1



Size	k-factor
160	15,8

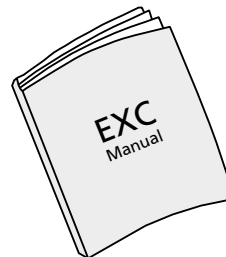


## EXC

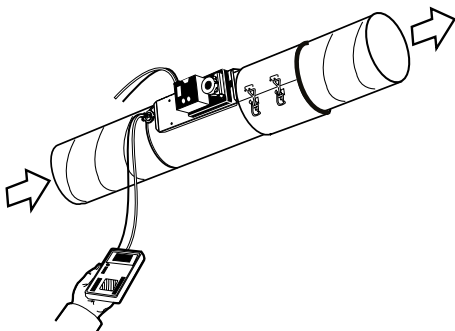


EXCa – size 160	
Cone position	k-factor
-10	1,9
-5	2,7
0	3,3
+5	4,1
+10	4,9
+15	5,6

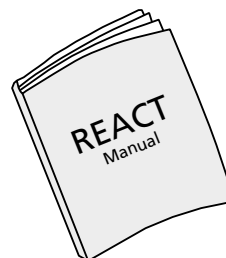
Measured by pressure gauge.



## REACT

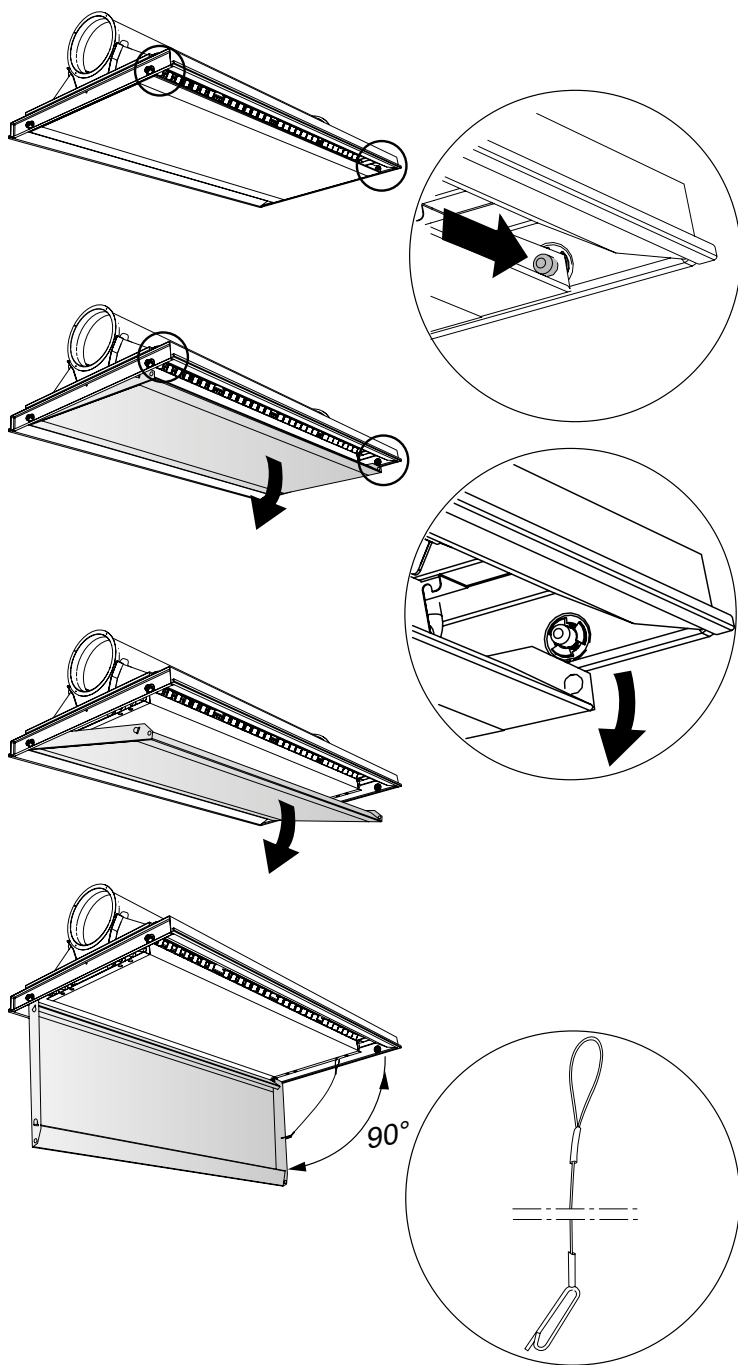


Size	K-factor
160	15,5

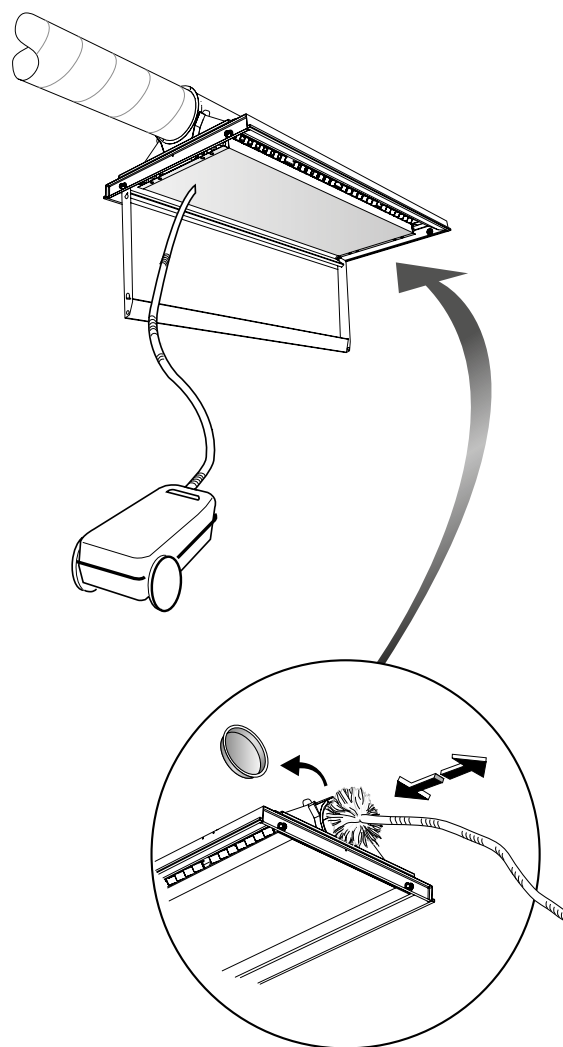


# Maintenance / Skötsel

1



2





3

