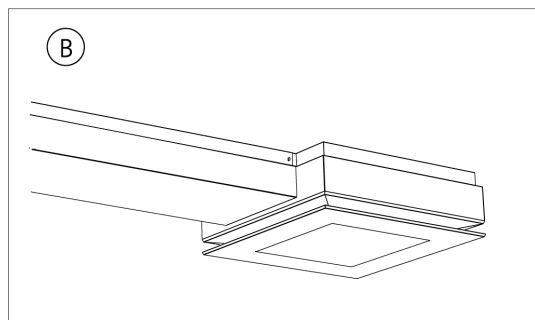
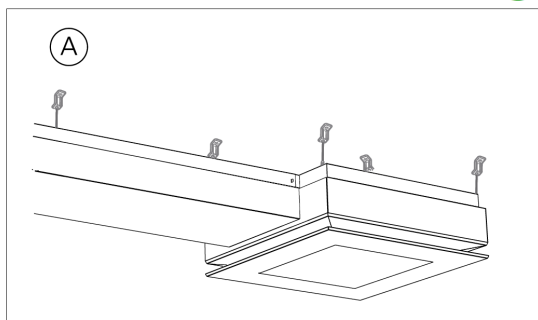


PARASOL EXc

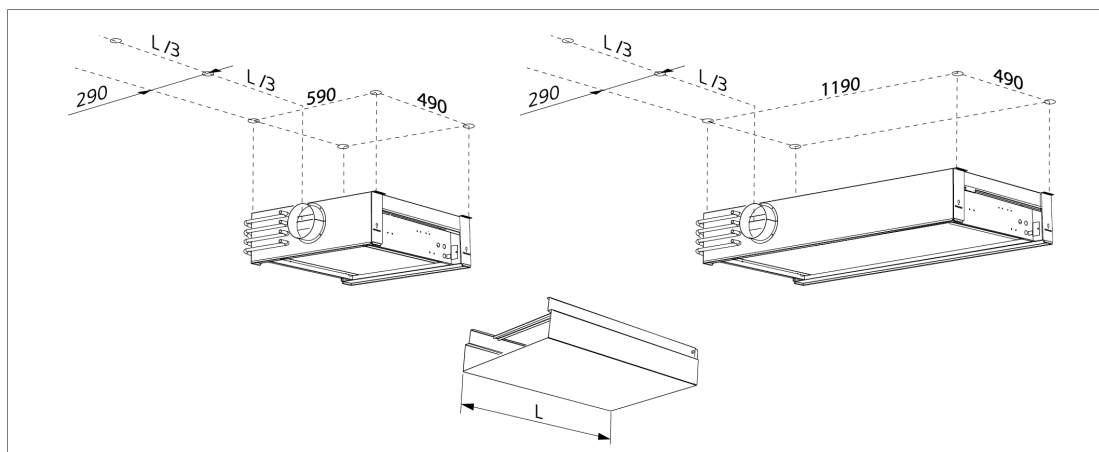
Installation – Commissioning – Maintenance

20160425

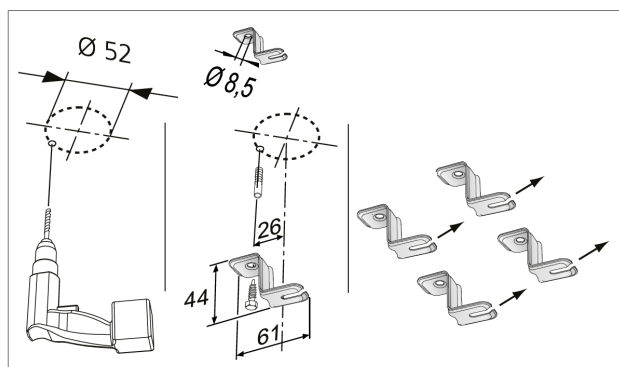
Installation / Monteren



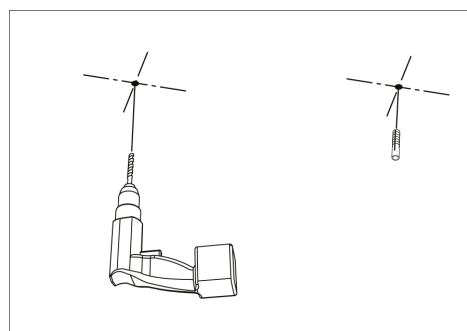
A1, B1



A2

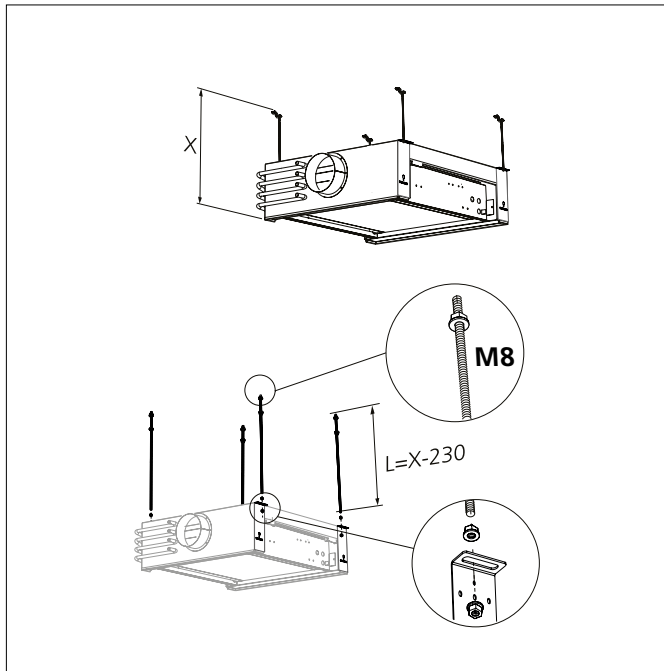


B2

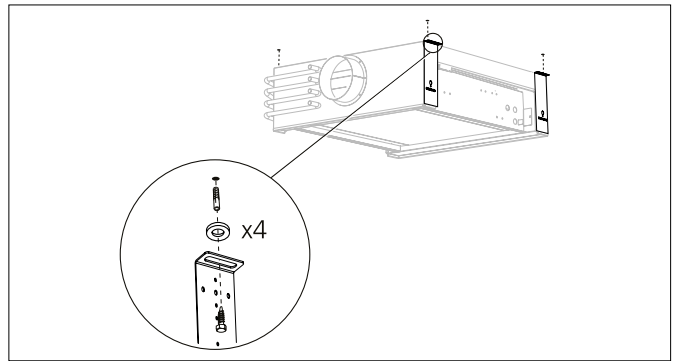


Swegon

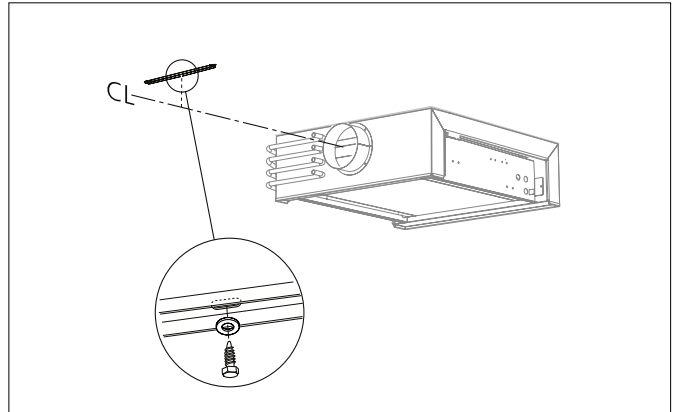
A3



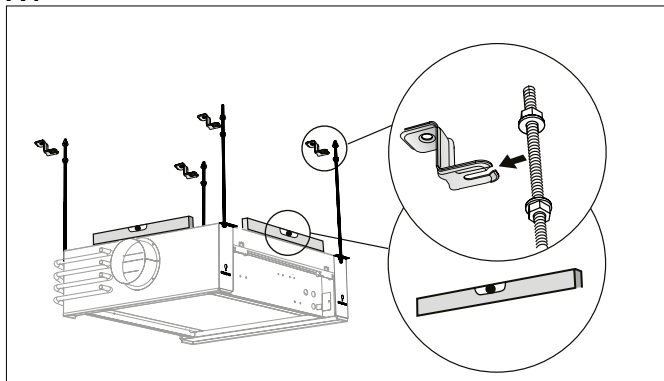
B3



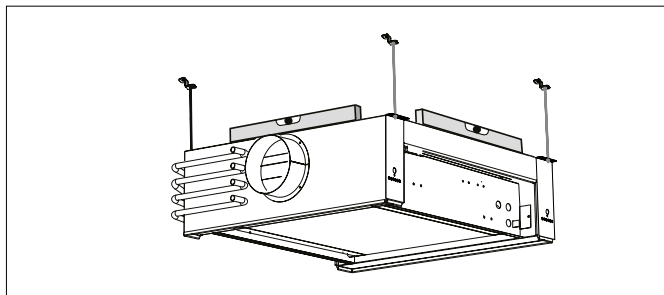
B4



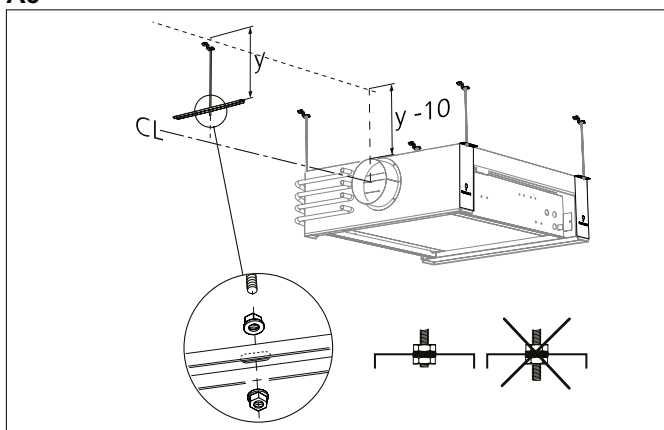
A4



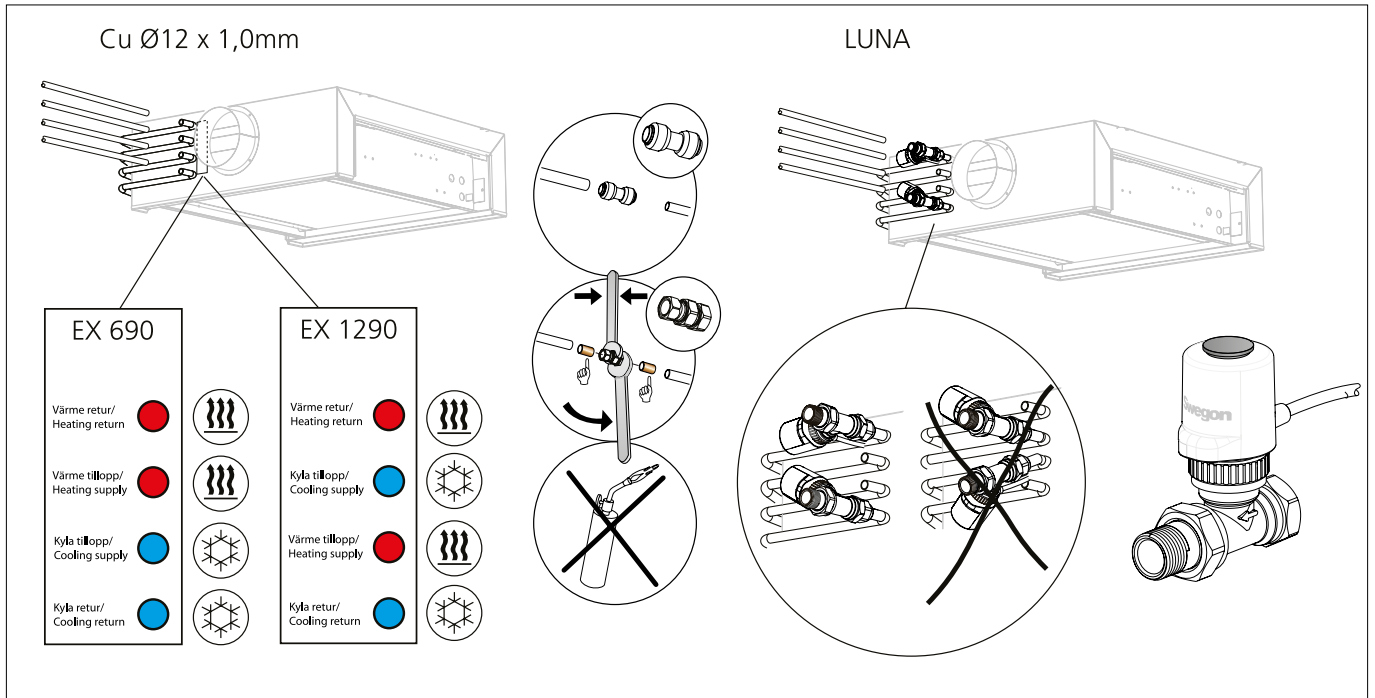
A5



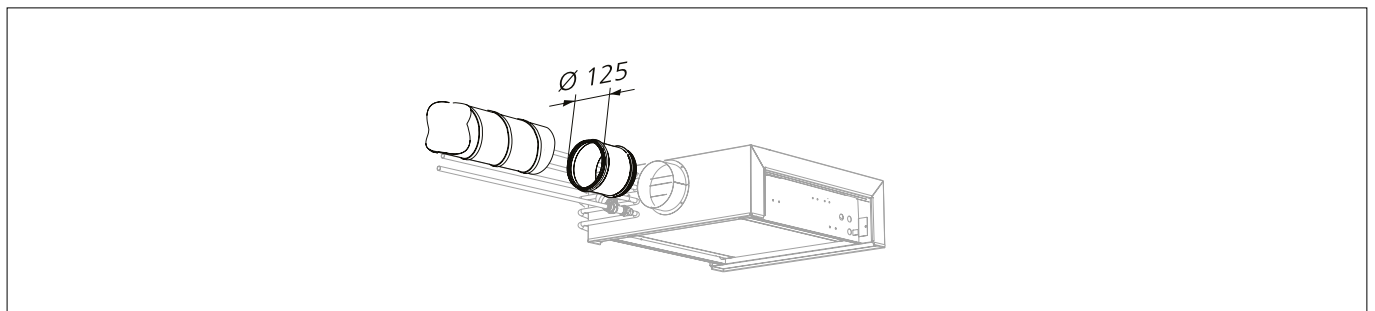
A6



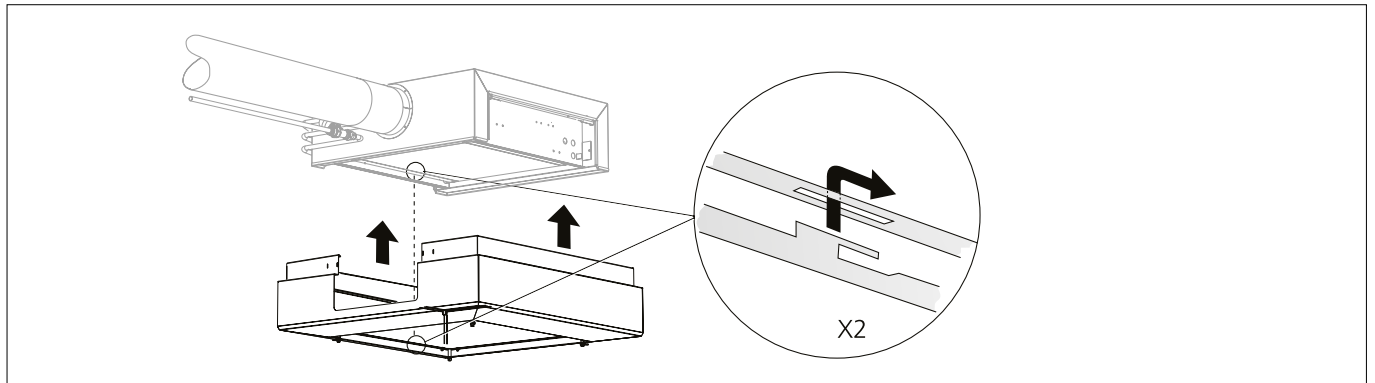
A7, B5



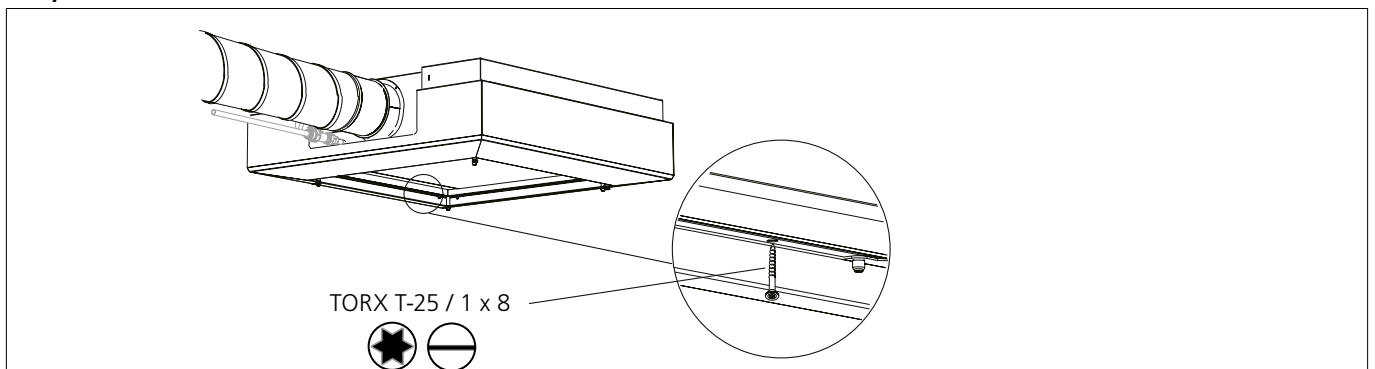
A8, B6



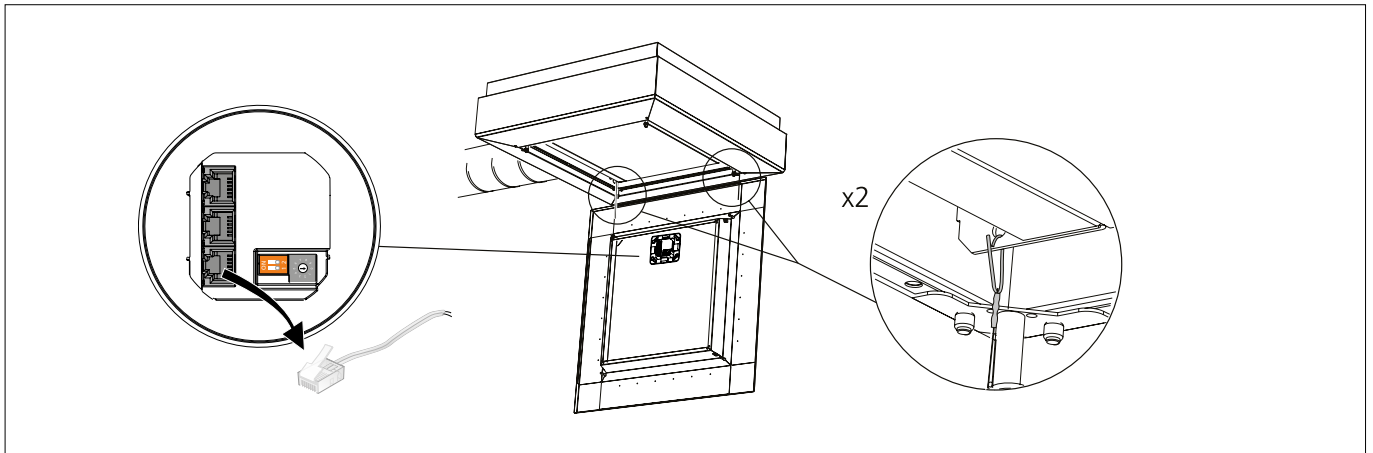
A9, B7



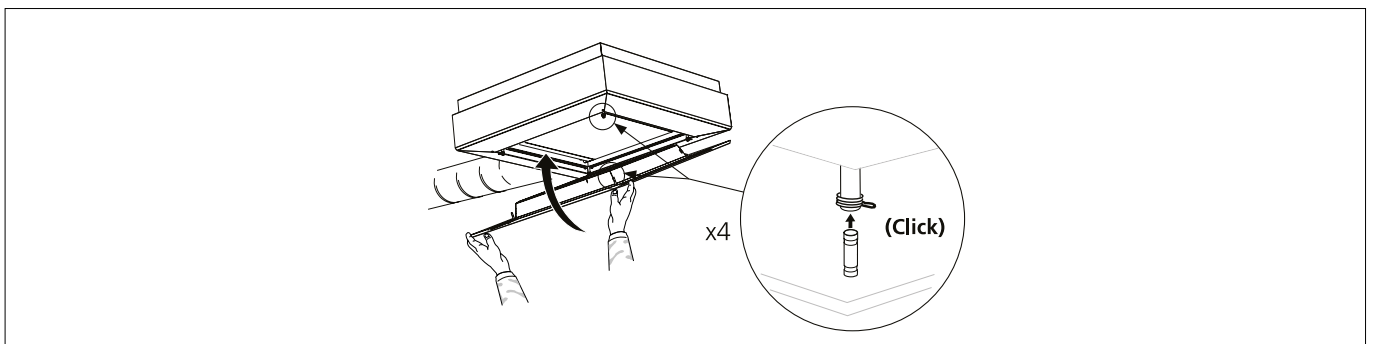
A10, B8



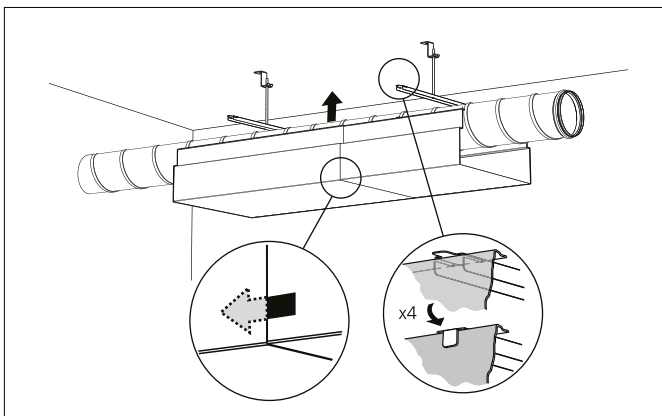
A11, B9



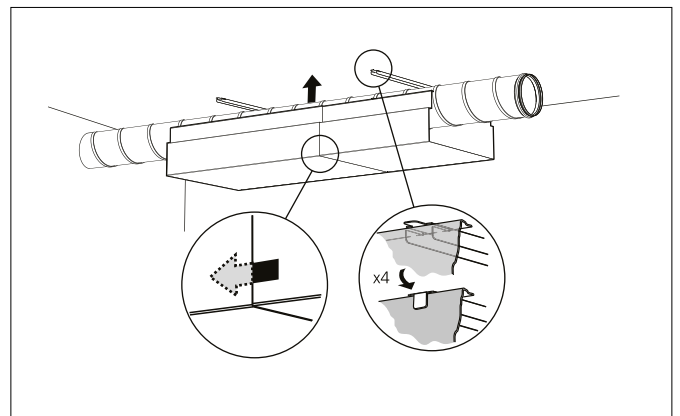
A12, B10



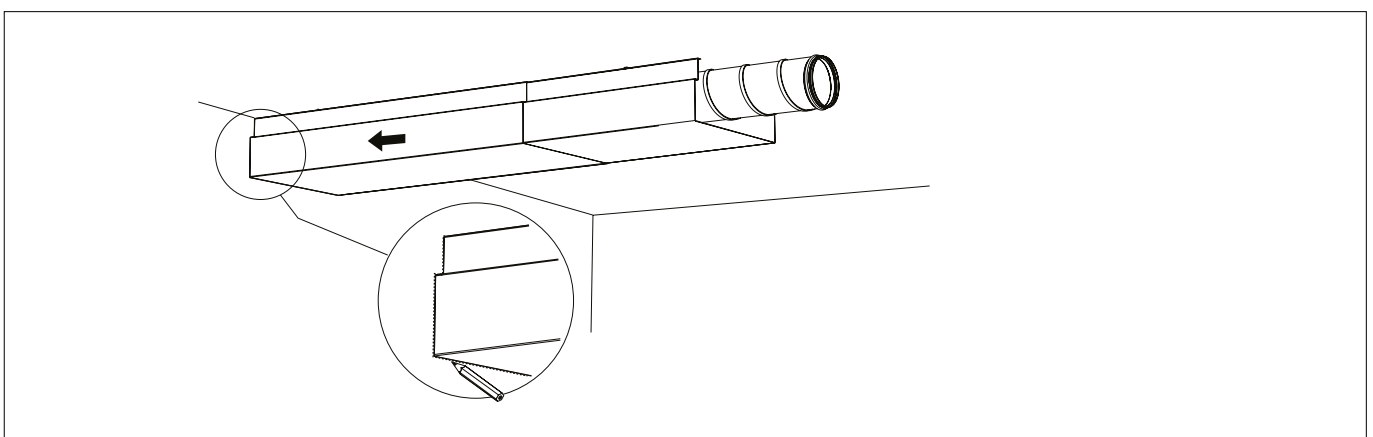
A13



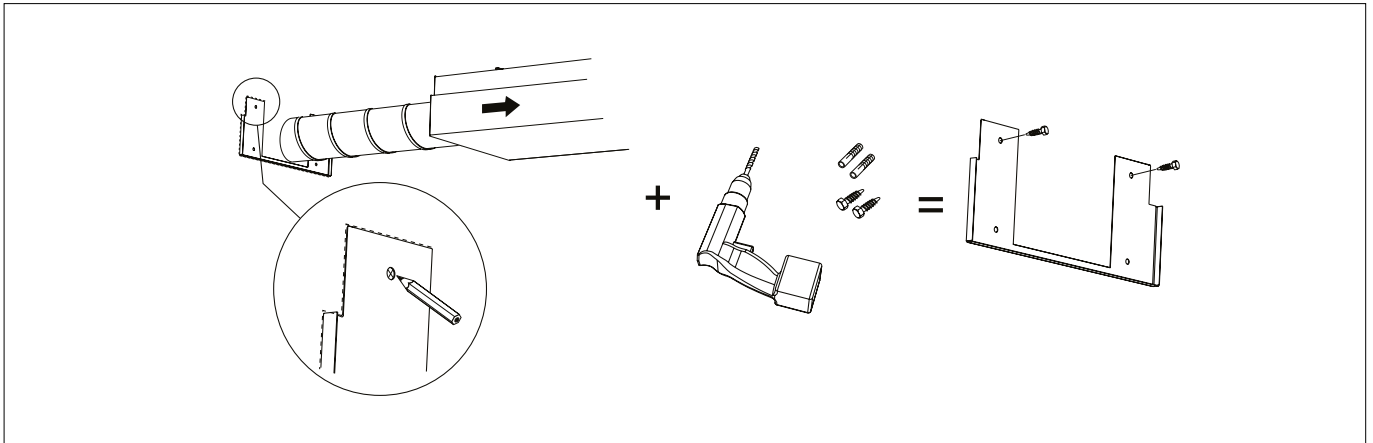
B11



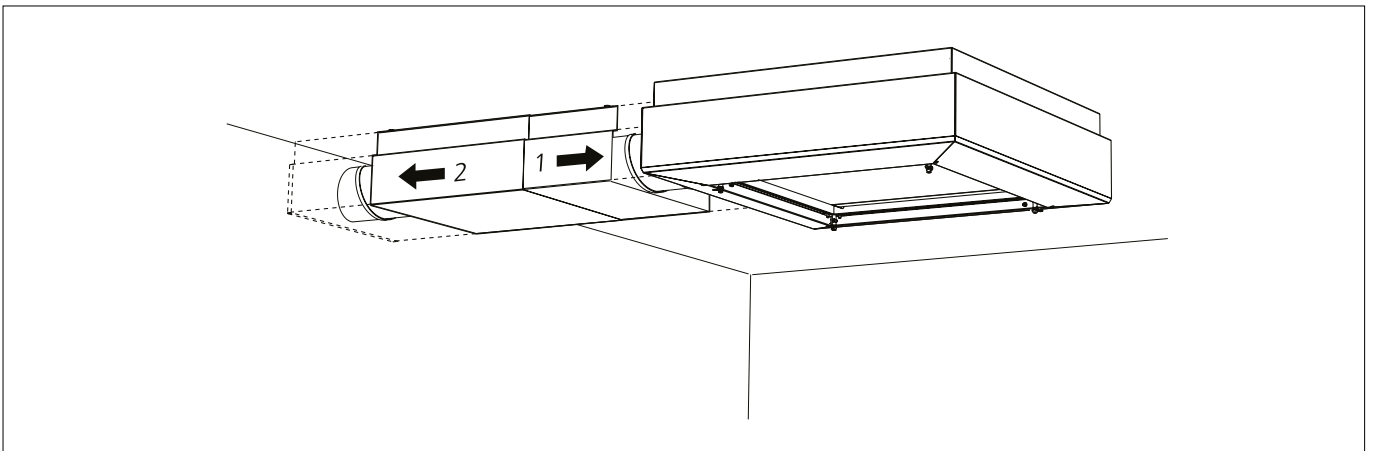
A14, B12



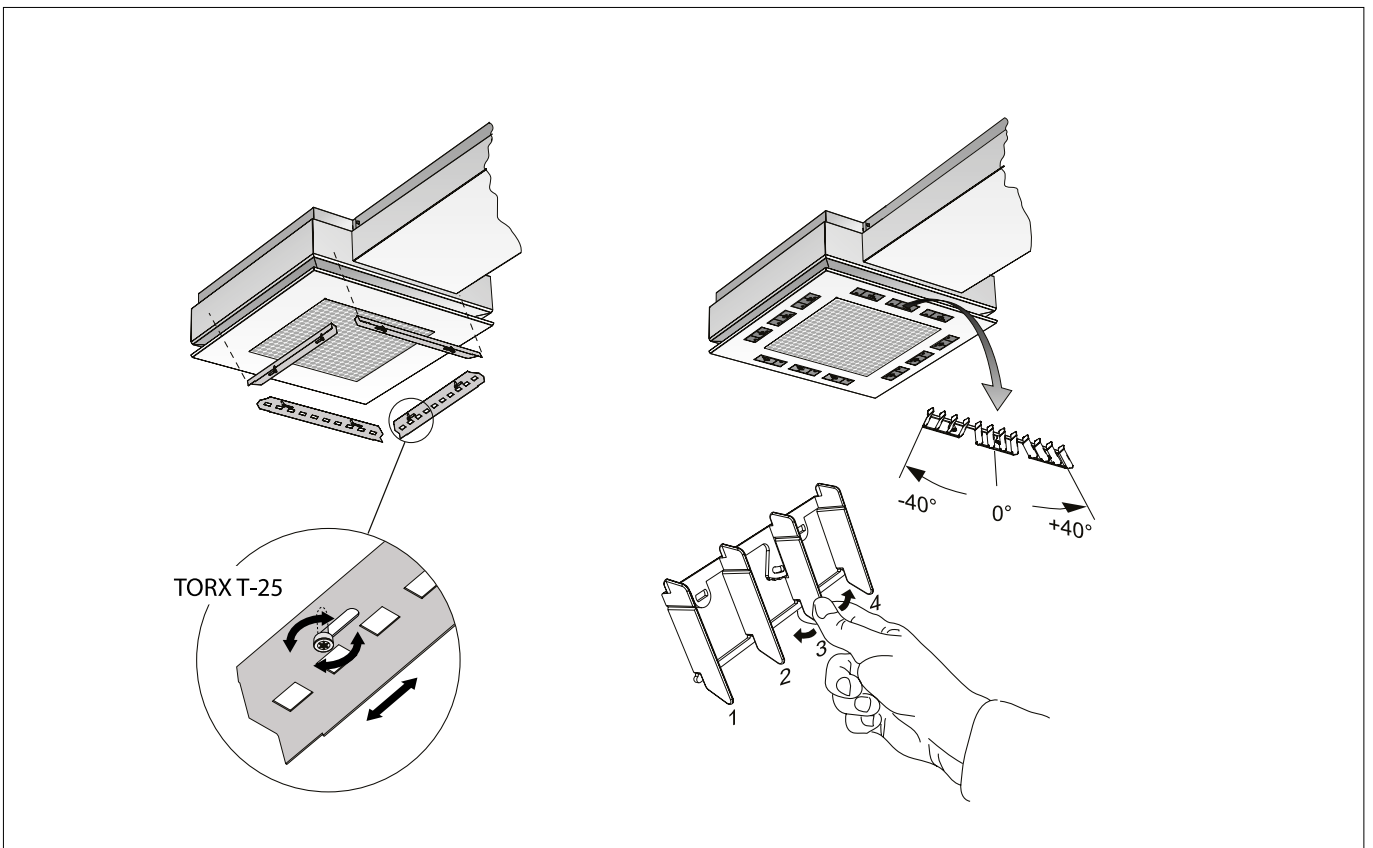
A15, B13



A16, B14



A17, B15



Commissioning / Injustering

PARASOL EX c 690 MF Enmodulsenhet/ Single-module unit			
Modell/Type	Dysa/Nozzle	Sida/Side	k-faktor/-factor
MF	L	-	0,253
MF	M	-	0,440
MF	H	-	0,693
MF	C	-	0,000

PARASOL EX c 1290 MF Tvåmodulsenhet/ Double-module unit			
Modell/Type	Dysa/Nozzle	Sida/Side	k-faktor/-factor
MF	L	1&3 kort/short	0,176
MF	L	2&4 lång/long	0,464
MF	M	1&3 kort/short	0,253
MF	M	2&4 lång/long	0,667
MF	H	1&3 kort/short	0,429
MF	H	2&4 lång/long	1,131
MF	C	1, 2, 3, 4	0,000

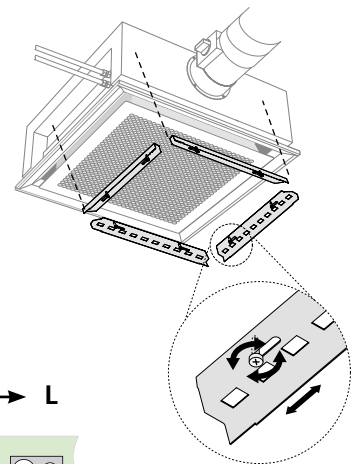
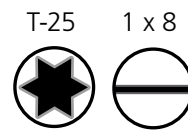
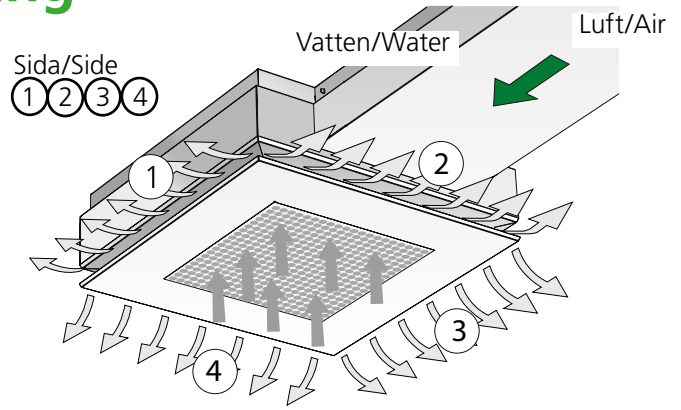
PARASOL EX c 1290 HF Tvåmodulsenhet/ Double-module unit			
Modell/Type	Dysa/Nozzle	Sida/Side	k-faktor/-factor
HF	L	1&3 kort/short	0,253
HF	L	2&4 lång/long	0,667
HF	M	1&3 kort/short	0,440
HF	M	2&4 lång/long	1,160
HF	H	1&3 kort/short	0,693
HF	H	2&4 lång/long	1,827
HF	C	1, 2, 3, 4	0,000

Exempel, produktkod/ Example Product Code: PARASOL EX c 1290-A-HF-HLMH		
Sida/Side 1 = H		k=0,693
Sida/Side 2 = L		k=0,667
Sida /Side 3 = M		k=0,440
Sida /Side 4 = H		k=1,827
k-faktor/-factor HLMH = 0,693+0,667+0,440+1,827=3,63		

$$p_i = \left(\frac{q}{k}\right)^2 [Pa]$$

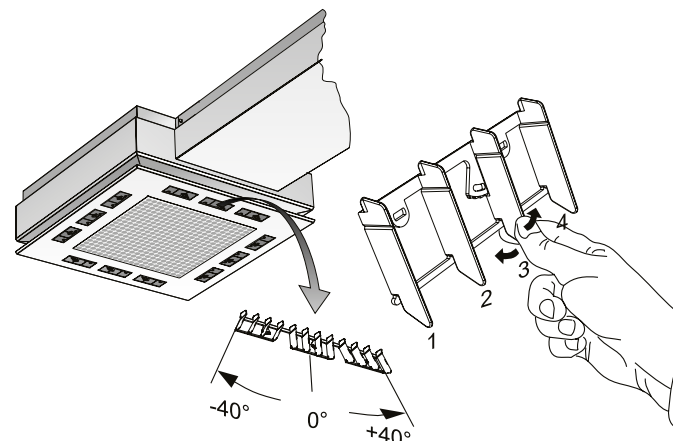
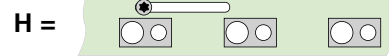
$$q = k \cdot \sqrt{p_i} [l/s]$$

[p_i Pa]
q [l/s]
k = k-faktor/-factor



Dyskonfiguration / Nozzle configuration

H → M → C → L



Maintenance / Skötsel

