

PARASOL

Operation and maintenance

20161028

Before commissioning

Remove the dust protection packaging from the product before you commission it. For further details, see the product's installation instructions.

Before commissioning, carry out a hydrostatic test on the module. Subject the module to a test pressure of up to 900 kPa. If any leakage arises due to manufacturing defects in the product, Swegon will pay the costs for replacing or repairing the product. Possible costs or consequential damages, which arise prior to hydrostatic testing or due to failure to carry out a hydrostatic test or because the hydrostatic test has been carried out too late, will not be reimbursed by Swegon.

Bear in mind that hydrostatic testing is a safety measure carried out to ensure that the installation is free from defects and that no damage has arisen during transport, installation or other handling. You should therefore keep a sharp eye on the entire installation/loop and component products during the whole hydrostatic test procedure.

Operation

See the product brochure.

Maintenance

Swegon's comfort modules are characterized among other features by the fact that they do not contain any moving parts. Therefore they do not require any maintenance other than cleaning. The interval between cleaning varies depending on the type of product, where the product is located and the nature of the operations conducted in the premises. Smoking, particle emitting materials, wall-to-wall carpeting and printers are typical factors that affect the interval between cleaning. Under normal operating conditions, schedule the cleaning to be carried out every fifth year.

Painted surfaces should be cleaned with a mild soap solution. Never use solvents since they can damage the painted surface.

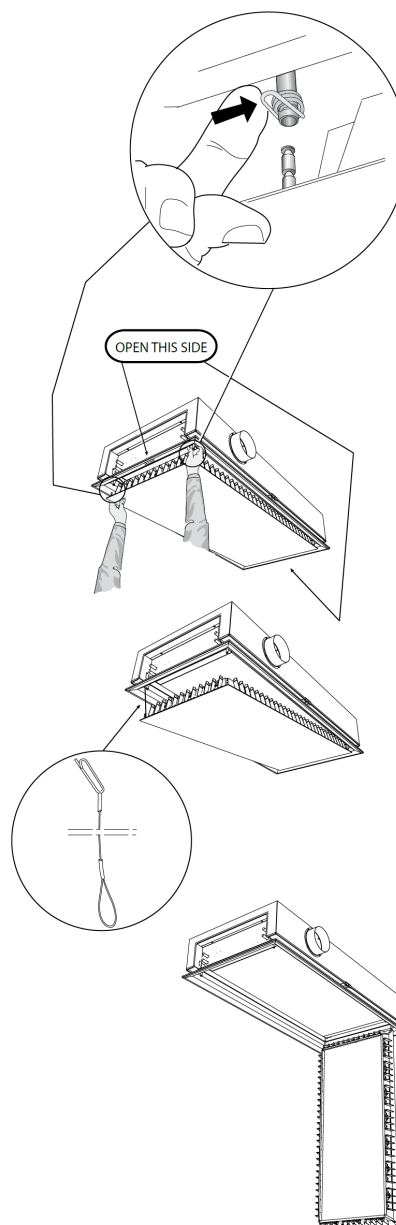
Clean convectors with a vacuum cleaner nozzle, moving it across the outer surface of the convector.

Convectors installed above the false ceiling generally speaking seldom require cleaning due to the extremely low air velocities generated by the circulation air.

Inspection

Inspect the suspension parts and visible soldering points as you clean the installation. If any component appears to be loose or if you find water droplets on the soldering points, the unit must be looked over and possible faults remedied.

Swegon reserves the right to alter specification



Swegon