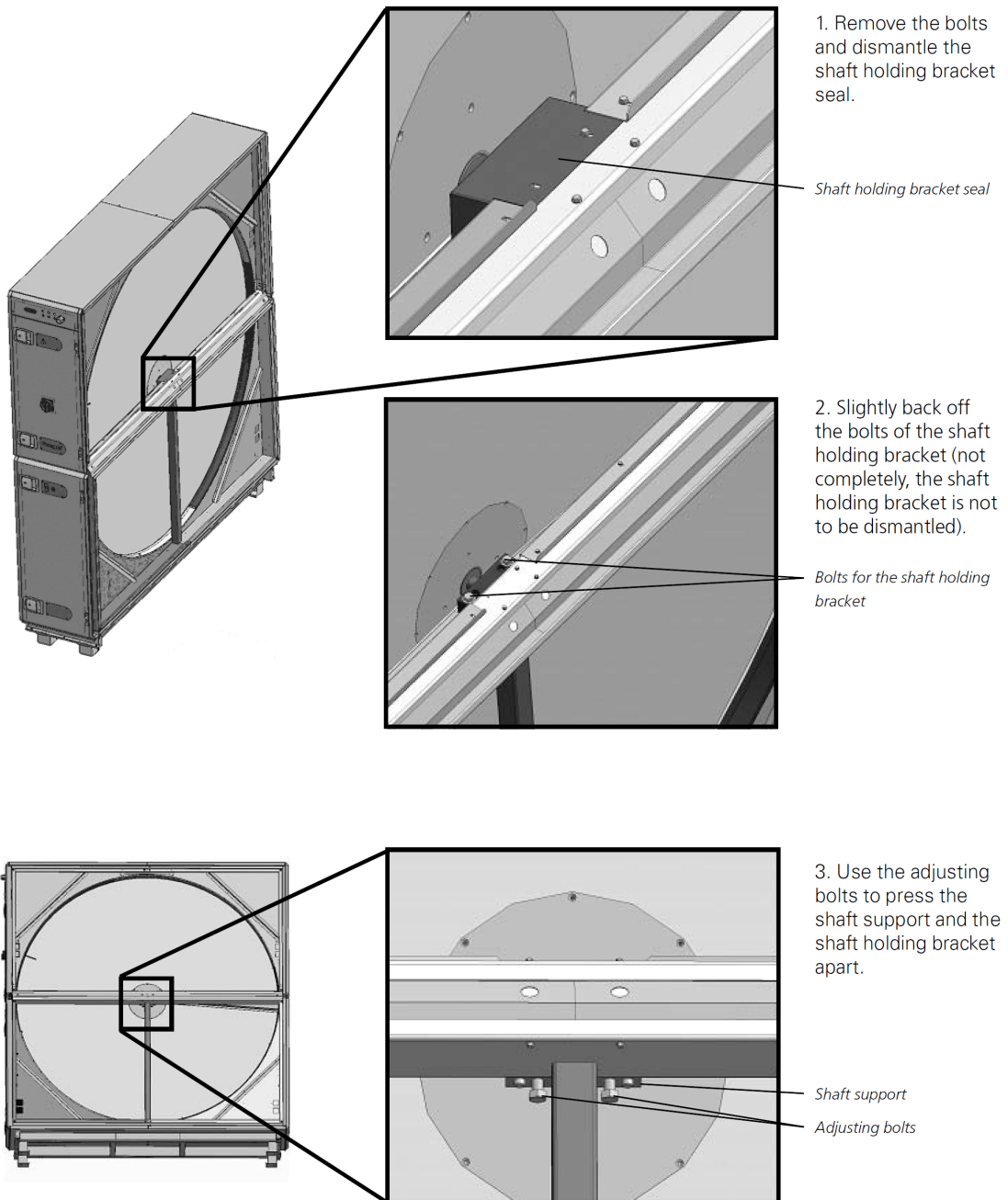
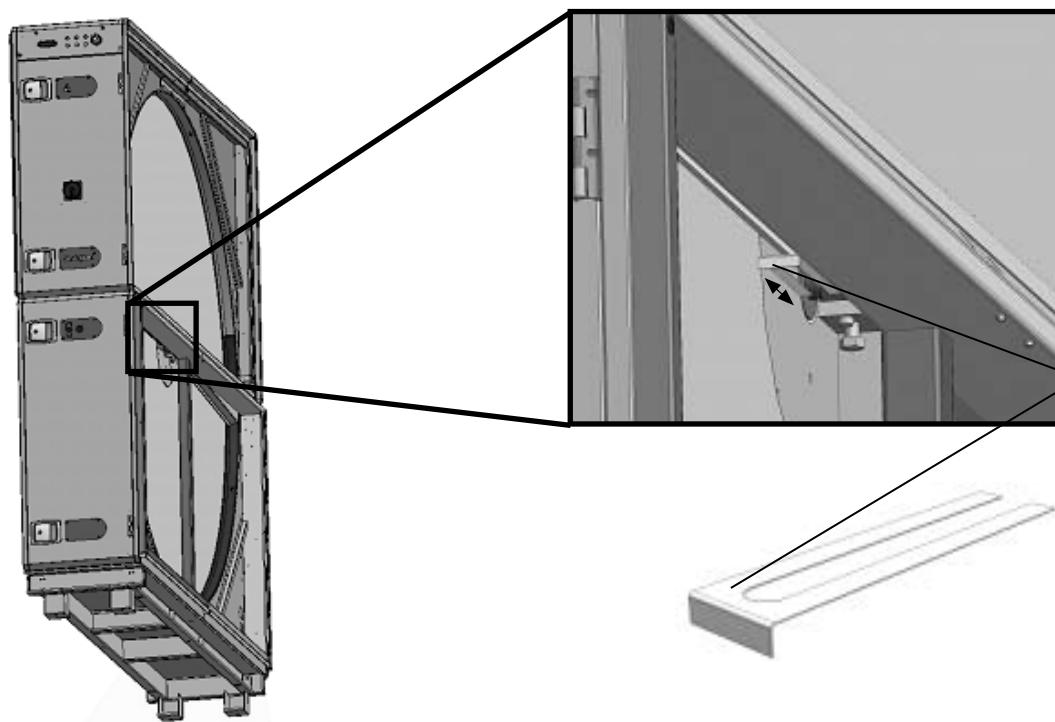


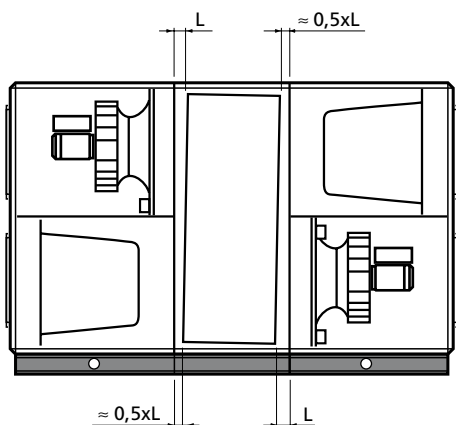
Adjustment of the Inclination of Rotary Heat Exchangers GOLD, sizes 70-80,





4. Insert or remove shim plates for inclining the rotary heat exchanger to the required inclination (extra shim plates are supplied with the unit).

Shim plate



The illustration shows the factory-preset rotor inclination for Fan Arrangement 1. The inclination must always be toward the filter, which means that the inclination for Fan Arrangement 2 is in the other direction.

The rotors inclination may need to be greater in applications that involve high airflows with associated high pressure.

5. **N.B.!**

When reassembling, back out the adjusting bolts and press the shaft holding bracket toward the rotary heat exchanger before you alternately tighten the bolts of the bolted joint. This is done in order to minimise the play between spacing collar and rotor.