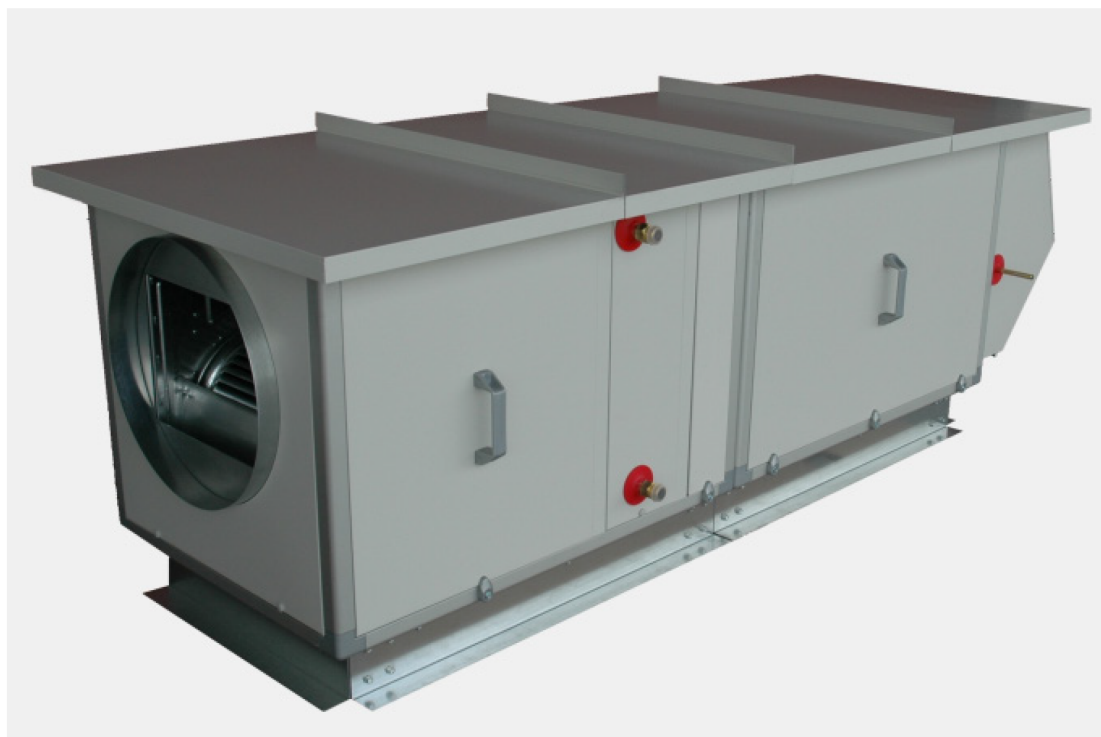


GLOBAL SD Series

Range of compact, modular air-treatment units (0-8000 m³/h)



Swegon 

T 0320 - 28 61 81 | www.auerhaan-klimatechniek.nl

Als het om lucht gaat.


AUERHAAN
KLIMATECHNIEK

The GLOBAL SD range meets all your needs in air recirculation, heating or conditioning in a single airflow.

Using TAC5 technology, which is standard in the GLOBAL SD series, and a smart standardisation of the various modules used in air-treatment units, Swegon has developed an «almost customised» complete standardised COMPACT range of air-treatment units, from 0 to 8000 m³/h.

Unlike the usual process of first defining each element that makes up a unit and then purchasing each one individually, the GLOBAL SD range contains an extended stock of standard elements, which can be chosen in order to define the unit that best meets the needs of the customer. This philosophy allows the production of more compact and accurate units, and guarantees quick delivery of a real air-treatment unit, with better value for money than any of its competitors.

Three types of units are available: rectangular cross-section (M), square cross-section (U) and flat (P).

Model	Cross-section Bxh (mm)	Range (heating) (m ³ /h)	Range (cooling) (m ³ /h) *	Fans
GLOBAL SD U2	530 x 530	300-2200	300-1600	DD 9-9 TAC ½
GLOBAL SD U3	630 x 630	500-3300	500-2400	DD 10-10 TAC ¾
GLOBAL SD U4	890 x 890	600-4000	600-4000	DD 11-11 TAC 1 /1
GLOBAL SD M4	890 x 630	600-4400	600-3600	DD 11-11 TAC 1 /1
GLOBAL SD M8	1430 x 890	1200-8000	1200-6400	2 x DD 11-11 TAC 1 /1
GLOBAL SD P2	890 x 430	500-2800	500-2300	DP 9-7 TH TAC ½

(*) Swegon recommends not exceeding a front speed on the exchanger of 2.9 m/s for cooling, and 4 m/s for heating

Standardised TAC5 technology

TAC (Total Airflow Control) technology, introduced in 1995, has come a long way (TAC5) and is included in all of our products. Due to its many advantages, for fitters and for end customers, it has comfortably imposed itself as a market standard.

TAC technology is constantly improving, and is differentiated by:

- The high efficiency of the DC motor with permanent magnets, generating low consumption,
- The many possibilities and control options included in the control unit: real constant airflow, constant pressure, link between airflow and probe value (temp, RH%, CO₂, etc.), control of the coils, integrated alarms, etc.
- The control interface is very intuitive and configuration is quick and easy (less than 1 minute). This technology also allows (as an option) the units to be configured on a Modbus, Ethernet or Wi-Fi network.

Selection program: common link

The software for building GLOBAL SD units is the common link between your needs and their concrete realisation. It is straightforward and intuitive to use. It allows the easy generation of complete technical specifications for the built unit, as well as its price.

Using the software, you can select each component, from the specifications of the coils to the filter and the fan as well as those of the fan. In addition, it generates a detailed drawing which makes it possible to preview the physical installation.

The last page contains all the production and price information. It secures the a link between the selection and the production of your unit. You can download it from our website www.swegon.com.

Silent, rigid, aesthetic, double-skin modular construction

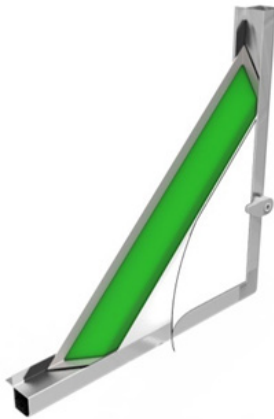
All GLOBAL SD devices are double-walled, insulated by 30 mm of rock wool. The structure is made of anodised-aluminium profiles, articulated around injected modules with reinforced polypropylene.

The outer panels are made of pre-painted steel (RAL9002), painted with siliconised thermally crosslinkable polyester, which is corrosion resistant, and covered with a protective plastic film, to be removed after installation, and are easily splittable in order to be able to access the inside parts.

The inside is made of galvanised steel. This combination allows the panels to be exposed to the elements, and forms a rigid assembly.

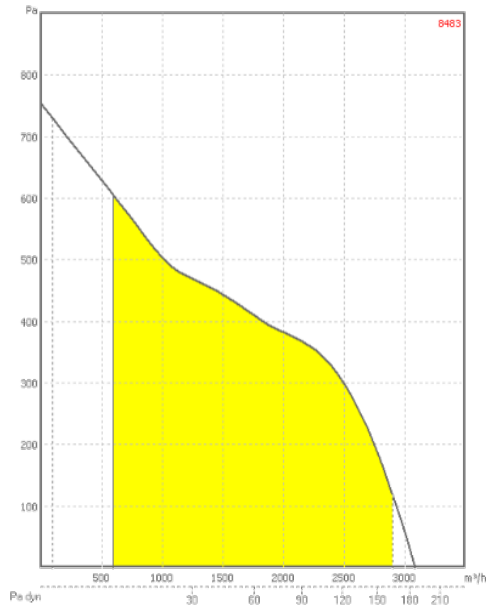
All the doors to access the fans and filters are fitted with handles, and the modules can be assembled together by means of a clamping system, ensuring the seal and the rigidity of the assembly.

Thermal insulation is provided by 30-mm rock-wool panels, which are non-combustible (Euroclass A1) and comply with European environmental standards, inserted between the metal sheets.



Section of GLOBAL SD box (rock wool insulation)

GLOBAL SD U2



Fan curve DD 9-9 TAC 1/2

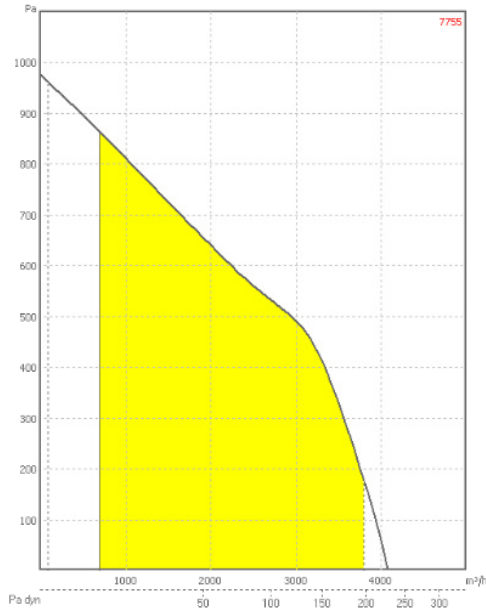
GENERAL TECHNICAL SPECIFICATIONS

CID	845438
• FANS	DD 9-9 TAC 1/2 (CID: 720055)
• AIRFLOW	300 to 2200 m ³ /h
• CROSS-SECTION	530x530, length 890 according to selection
• NOMINAL VOLTAGE	1 x 230V
• MAX. CURRENT	4A
• THERMAL PROTECTION	D4A/AC3/10kA
• TEMPERATURES	-20° to 55°C
• PANEL COLOUR	Beige RAL 9002

0. Available fan pressure for the 4-row heating coil
1. Total noise pressure in dBA radiated in free field at 3 m at 150 Pa
2. Water coil (2 rows) 80/60, air -10°C, 50% RH
3. Water coil (4 rows) 70/50, air -10°C, 50% RH
4. Water coil (4 rows, condensation), condensation temp. 45°C, air -10°C, 50% RH
5. Water coil 7/12, air 25°C, 50% RH
6. R410a coil, evaporation temp. 5°C, air 25°C, 50% RH

AIRFLOW m ³ /h	AVAILABLE PRESSURE (0) Pa	SOUND PRESSURE (1) dBA	HEATING						COOLING			
			UV 9-2 (2)		UV 9-4 (3)		UV 9-4C (4)		UV 9-4 (5)		UV 9-4dx (6)	
			kW	Pa	kW	Pa	kW	Pa	kW	Pa	kW	Pa
300	670	25	5,53	9	7,7	9	6,0	9	1,69	9	2,36	10
600	580	25	11,1	11	14,1	22	10,2	21	2,53	20	4,01	23
1000	460	29	13,4	22	21,2	44	14,5	42	3,69	41	5,73	47
1600	340	33	21,2	47	30,1	95	19,5	91	5,6	86	7,75	96
2200	190	39	25,6	85	37,5	168	23,5	163	-	-	-	-

GLOBAL SD U3



Fan curve DD 10-10 TAC 3/4

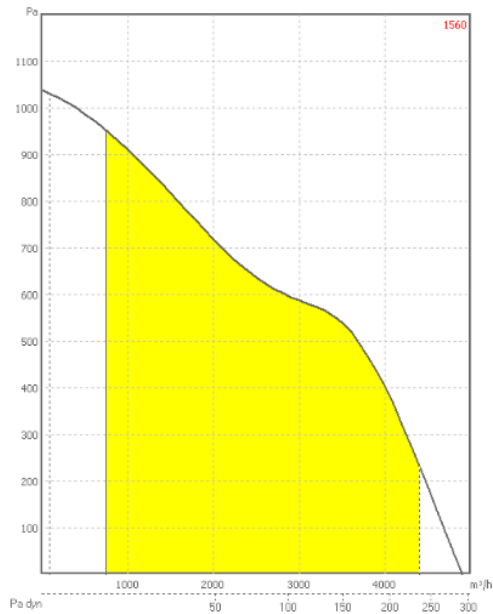
GENERAL TECHNICAL SPECIFICATIONS

CID	845439
• FANS	DD 10-10 TAC 3/4 (CID: 720056)
• AIRFLOW	500 to 3000 m³/h
• CROSS-SECTION	630 X 630, length 890 mm according to selection
• NOMINAL VOLTAGE	1 x 230V
• MAX. CURRENT	10A
• THERMAL PROTECTION	D10A/AC3/10kA
• TEMPERATURES	-20° to 55°C
• PANEL COLOUR	Beige RAL 9002

0. Available fan pressure for the 4-row heating coil
1. Total noise pressure in dBA radiated in free field at 3 m at 150 Pa
2. Water coil (2 rows) 80/60, air -10°C, 50% RH
3. Water coil (4 rows) 70/50, air -10°C, 50% RH
4. Water coil (4 rows, condensation), condensation temp. 45°C, air -10°C, 50% RH
5. Water coil 7/12, air 25°C, 50% RH
6. R410a coil, evaporation temp. 5°C, air 25°C, 50% RH

AIRFLOW m³/h	AVAILABLE PRESSURE (0) Pa	SOUND PRESSURE (1) dBA	HEATING				COOLING					
			UV 10-2 (2) kW	Pa	UV 10-4 (3) kW	Pa	UV 10-4C (4) kW	Pa	UV 10-4 (5) kW	Pa	UV 10-4dx (6) kW	Pa
500	890	27	10,8	5	13,0	10	10,3	10	2,72	10	3,9	11
1000	790	27	17,9	12	23,5	25	17,6	24	4,9	25	6,5	27
1800	616	32	26,5	29	37,4	58	26,3	56	7,8	58	9,7	62
2400	480	37	31,7	48	46,2	95	31,6	93	9,6	90	11,6	97
3000	350	42	36,2	72	54,1	143	36,0	139	-	-	-	-

GLOBAL SD U4



Fan curve DD 11-11 TAC 1/1

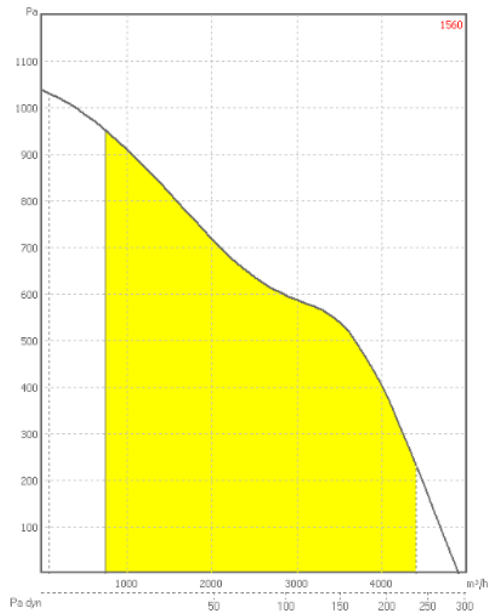
GENERAL TECHNICAL SPECIFICATIONS

CID	845440
• FANS	DD 11-11 TAC 1/1 (CID: 720057)
• AIRFLOW	600 to 4000 m ³ /h
• CROSS-SECTION	890 x 890, length 890 according to selection
• NOMINAL VOLTAGE	1 x 230V
• MAX. CURRENT	10A
• THERMAL PROTECTION	D10/AC3/10kA
• TEMPERATURES	-20° to 55°C
• PANEL COLOUR	Beige RAL 9002

- 0. Available fan pressure for the 4-row heating coil
- 1. Total noise pressure in dBA radiated in free field at 3 m at 150 Pa
- 2. Water coil (2 rows) 80/60, air -10°C, 50% RH
- 3. Water coil (4 rows) 70/50, air -10°C, 50% RH
- 4. Water coil (4 rows, condensation), condensation temp. 45°C, air -10°C, 50% RH
- 5. Water coil 7/12, air 25°C, 50% RH
- 6. R410a coil, evaporation temp. 5°C, air 25°C, 50% RH

AIRFLOW m ³ /h	AVAILABLE PRESSURE (0) Pa	SOUND PRESSURE (1) dBA	HEATING				COOLING					
			UV 12-2 (2) kW	Pa	UV 12-4 (3) kW	Pa	UV 12-4C (4) kW	Pa	UV 12-4 (5) kW	Pa	UV12-4dx (6) kW	Pa
1000	900	27	21,7	5	25,8	11	20,4	10	5,2	10	7,7	12
2000	692	34	36,1	13	46,6	26	34,4	25	9,5	26	13,0	28
3000	540	41	47,4	23	64,4	47	45,6	45	13,3	46	17,4	50
3600	460	45	53,3	30	74,0	61	51,3	59	15,2	60	20,1	66
4000	332	47	57,0	37	80,0	73	54,8	71	16,5	71	21,8	77

GLOBAL SD M4



Fan curve DD 11-11 TAC 1/1

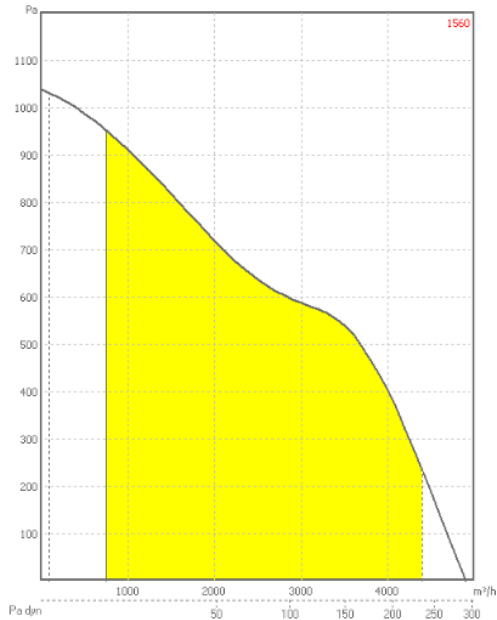
GENERAL TECHNICAL SPECIFICATIONS

CID	845441
• FANS	DD 11-11 TAC 1/1 (CID: 720057)
• AIRFLOW	600 to 4000 m³/h
• CROSS-SECTION	630 X 890, length 890 mm according to selection
• NOMINAL VOLTAGE	1 x 230V
• MAX. CURRENT	10A
• THERMAL PROTECTION	D10A/AC3/10kA
• TEMPERATURES	-20° to 55°C
• PANEL COLOUR	Beige RAL 9002

0. Available fan pressure for the 4-row heating coil
1. Total noise pressure in dBA radiated in free field at 3 m at 150 Pa
2. Water coil (2 rows) 80/60, air -10°C, 50% RH
3. Water coil (4 rows) 70/50, air -10°C, 50% RH
4. Water coil (4 rows, condensation), condensation temp. 45°C, air -10°C, 50% RH
5. Water coil 7/12, air 25°C, 50% RH
6. R410a coil, evaporation temp. 5°C, air 25°C, 50% RH

AIRFLOW m³/h	AVAILABLE PRESSURE (0) Pa	SOUND PRESSURE (1) dBA	HEATING						COLD			
			MB30-2 (2)		MB30-4 (3)		MB30-4C (4)		MB30-4 (5)		MB30-4dx (6)	
			kW	Pa	kW	Pa	kW	Pa	kW	Pa	kW	Pa
1000	896	26	20,5	7	25,6	15	19,9	14	5,4	15	7,3	16
2000	680	34	33,4	18	44,9	38	33,0	36	9,7	38	12,0	40
3000	518	41	39	34	61,3	68	43,1	66	13,1	68	16,5	73
3600	425	45	48,8	47	70,0	95	48,3	92	14,9	91	18,9	98
4000	290	47	52,0	57	75,5	115	51,5	112	-	-	-	-

GLOBAL SD M8



Fan curve 2 x DD 11-11 TAC 1/1

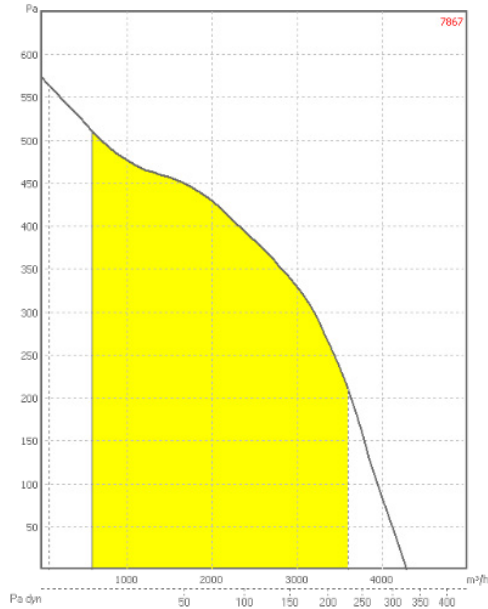
GENERAL TECHNICAL SPECIFICATIONS

CID	845442
• FANS	2 x DD 11-11 TAC 1/1 (CID: 720057)
• AIRFLOW	1200 to 8000 m ³ /h
• CROSS-SECTION	630 x 1430, length 890 according to selection
• NOMINAL VOLTAGE	1 x 230V
• MAX. CURRENT	20A (2 fans)
• THERMAL PROTECTION	D20A/AC3/10kA (2 fans)
• TEMPERATURES	-20° to 50°C
• PANEL COLOUR	Beige RAL 9002

0. Available fan pressure for the 4-row heating coil
1. Total noise pressure in dBA radiated in free field at 3 m at 150 Pa
2. Water coil (2 rows) 80/60, air -10°C, 50% RH
3. Water coil (4 rows) 70/50, air -10°C, 50% RH
4. Water coil (4 rows, condensation), condensation temp. 45°C, air -10°C, 50% RH
5. Water coil 7/12, air 25°C, 50% RH
6. R410a coil, evaporation temp. 5°C, air 25°C, 50% RH

AIRFLOW m ³ /h	AVAILABLE PRESSURE (0) Pa	SOUND PRESSURE (1) dBA	HEATING				COLD					
			MB 55-2 (2) kW	Pa	MB 55-4 (3) kW	Pa	MB 55-4C (4) kW	Pa	MB 55-4 (5) kW	Pa	MB 55-4dx (6) kW	Pa
1200	965	27	26,9	4	31,9	9	26,3	9	7,14	9	9,5	10
2500	843	31	46,4	11	60,4	23	46,6	23	13,8	24	16,7	25
4000	673	37	64,0	22	88,2	45	64,8	44	19,8	46	23,7	49
6300	482	45	85,4	47	124	94	89,5	91	27,2	91	33,5	97
7400	370	48	94,2	63	139	126	95,1	122	-	-	-	-
8000	260	50	98,6	73	147	145	99,5	141	-	-	-	-

GLOBAL SD P2



Fan curve DP 9-7 TH TAC 1/1

GENERAL TECHNICAL SPECIFICATIONS

CID	845444
• FANS	DP 9-7 TH TAC 1/1 (CID: 720059)
• AIRFLOW	500 to 3000 m ³ /h
• CROSS-SECTION	430 x 890, length 890 according to selection
• NOMINAL VOLTAGE	1 x 230V
• MAX. CURRENT	10A
• THERMAL PROTECTION	D10A/AC3/10kA (1 fan)
• TEMPERATURES	-20° to 55°C
• PANEL COLOUR	Beige RAL 9002

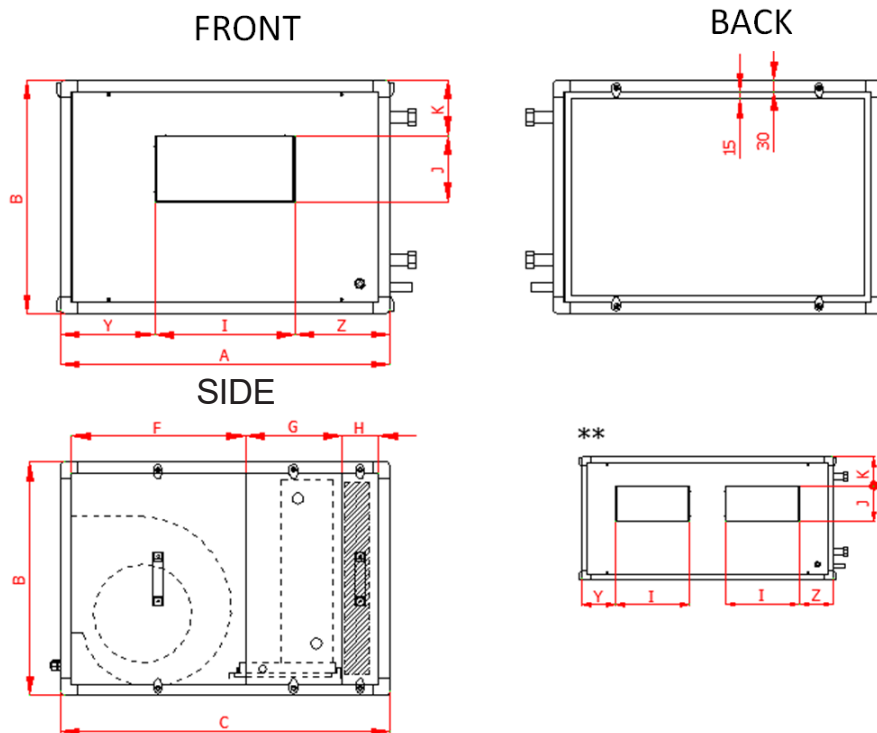
0. Available fan pressure for the 4-row heating coil
1. Total noise pressure in dBA radiated in free field at 3 m at 150 Pa
2. Water coil (2 rows) 80/60, air -10°C, 50% RH
3. Water coil (4 rows) 70/50, air -10°C, 50% RH
4. Water coil (4 rows, condensation), condensation temp. 45°C, air -10°C, 50% RH
5. Water coil 7/12, air 25°C, 50% RH
6. R410a coil, evaporation temp. 5°C, air 25°C, 50% RH

AIRFLOW m ³ /h	AVAILABLE PRESSURE (0) Pa	SOUND PRESSURE (1) dBA	HEATING				COLD					
			PA 800-2 (2) kW	Pa	PA 800-4 (3) kW	Pa	PA 800-4C (4) kW	Pa	PA 800-4 (5) kW	Pa	PA 800-4dx (6) kW	Pa
500	510	25	10,7	5	13	11	10,4	10	2,58	10	3,87	12
1200	432	29	20	17	27,2	34	20	33	5,8	34	7,6	37
1800	381	34	26,1	30	37,2	62	26,3	60	7,9	62	10,4	67
2300	307	40	30,5	46	44,7	95	30,6	92	9,5	90	12,5	99
2800	216	44	34,3	67	51,3	136	34,4	131	-	-	-	--

GLOBAL SD dimensions

The GLOBAL SD unit is made up of various standardised modules. Therefore, its length depends on the type and number of modules of which it is composed. In order to know the total length of the GLOBAL SD, it is essential to consider the lengths of all the modules. This information can be found in the selection program. However, the basic unit that makes up the GLOBAL SD has the following dimensions:

Basic unit	CID	A [mm]	B [mm]	C [mm]	H [mm]	G [mm]	F [mm]	I [mm]	J [mm]	K [mm]	Y [mm]	Z [mm]
U0	845437	430	430	890	100	262	466	139	125	80	145	145
U2	845438	530	530	890	100	262	466	304	219	107	113	113
U3	845439	630	630	890	100	262	466	344	179	150	143	143
U4	845440	890	890	890	100	262	466	370	240	147	260	260
M4	845441	890	630	890	100	262	466	370	175	150	260	260
M8**	845442	1430	630	890	100	262	466	2X374**	204	148	186**	186**
P1	845443	890	340	890	100	262	466	194	162	71	303	393
P2**	845444	890	430	890	100	262	466	2x237**	204	81	111**	111**



Options for BA unit

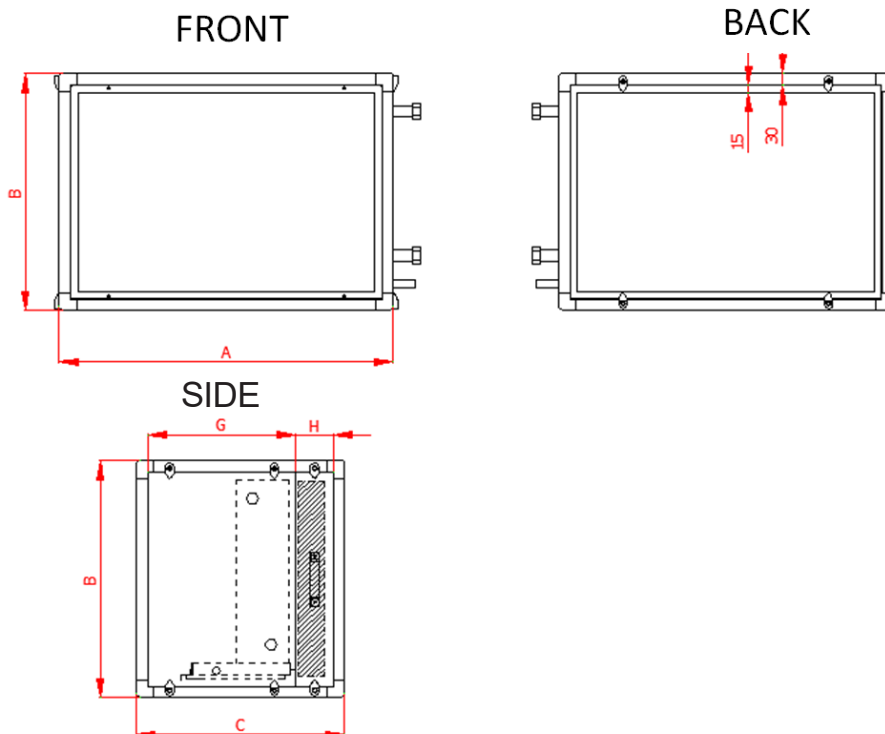
The BA unit is a basic unit of the GLOBAL SD series, made up of a heating or cooling coil. It is classified according to the following two categories:

The BA unit is a basic unit of the GLOBAL SD series, made up of a heating or cooling coil. It is classified according to the following two categories:

- BA unit fitted with a Fluid/Air exchanger
- BA unit fitted with an Electric Element/Air exchanger (Kw).

Such a unit has the following general dimensions.

Basic unit	heating + cooling + Kw	CID	A [mm]	B [mm]	C [mm]	H [mm]	G [mm]
U0	+	845460	430	430	430	100	266
	-	845766	430	430	630	100	460
U2	+	845461	530	530	430	100	266
	- / kw	845767	530	530	630	100	460
U3	+	845462	630	630	430	100	266
	- / kw	845432	630	630	630	100	460
U4	+	845465	890	890	430	100	266
	- / kw	845768	890	890	630	100	460
M4	+	845463	890	630	430	100	266
	- / kw	845762	890	630	630	100	460
M8	+	845464	1430	630	430	100	266
	- / kw	845763	1430	630	630	100	460
P1	+	845466	890	340	430	100	266
	- / kw	845764	890	340	630	100	460
P2	+	845467	890	430	430	100	266
	- / kw	845765	890	430	630	100	460



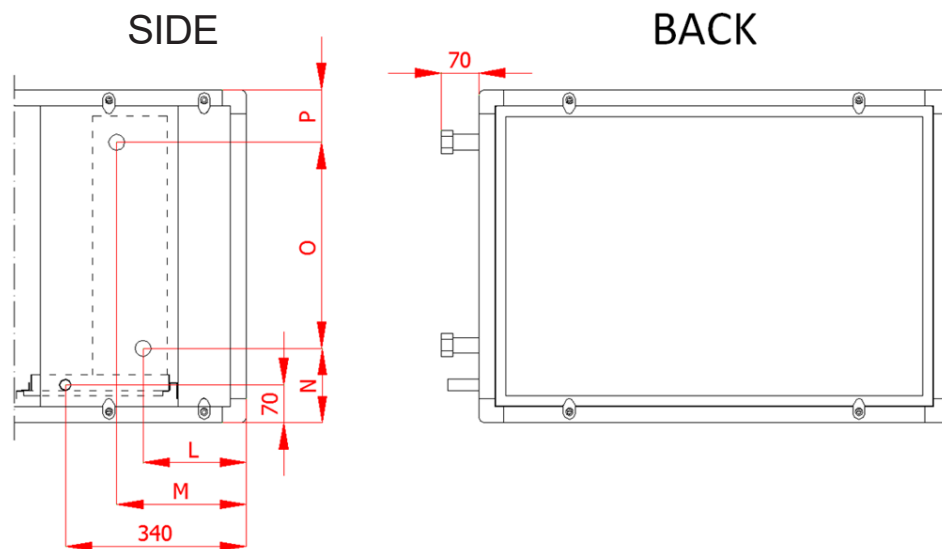
Options for BA unit fitted with a fluid/air coil

All coils of the range are made up of copper tubes (thickness 0.3 mm) and aluminium fins (thickness 0.1 mm). The standard separation between fins is 2.1 mm. Each coil is tested at the plant under 18 bars for water and under 33 bars for evaporators and condensers.

They are mounted on rails in order to allow easy access. A three-way valve for controlling the air outlet temperature can be supplied with the water coils.

Condensate tray (KB): the condensates are collected in a 1-mm stainless-steel tray (cold rolled 304 stainless steel).

The condensate trays are supplied with an adapted syphon. This is made of PVC-C and has fire class M1.



Dimensions of the electrical coil sections

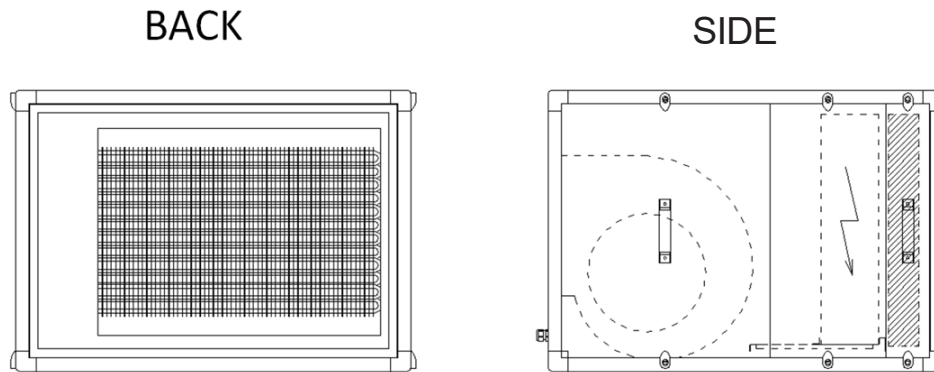
Global SD	CID coil + regulator	Box CID coil section	Voltage [V]	Electric power Maximum [KW]	Dimensions Outside of the coil [mm]	Weight of coil only [Kg]	Weight of section [Kg]
U2	845797	845767	3X400V	15	470X405X130	21	48
U3	845799	845432	3X400V	27	570X505X130	27	52.5
U4	845801	845768	3X400V	36	830X505X130	37.4	76.2
M4	845803	845762	3x400V	36	830X505X130	34.3	68.5
M8	845805	845763	3X400V	36	830X505X130	36.5	73
P2	845808	845765	3X400V	18	830x405x130	24.9	67.1

(*) For additional heating BA 2R / 4R / Condensation:
 L (of the BA unit) = N (of the basic unit) – 15 mm
 M (of the BA unit) = M (of the table above) – 15 mm

Options for BA unit fitted with an electric/air coil

GLOBAL SD units can be fitted with standard electric coils with shielded elements having fins. All the electric coils are delivered entirely pre-wired and provided with independent thermal protections. The electric elements comply with the EN 60,335-1 standard.

The controller (TAC5 SC) modulates the power of the electric coil in order to maintain a constant supply or return temperature. This supply temperature is measured permanently by a temperature sensor which is supplied with the controller.



Compo type	CID coil + regulator	Box CID coil section	Voltage [V]	Electric power Maximum [KW]	Dimensions Outside of the coil [mm]	Weight of coil only [Kg]	Weight of section [Kg]
U2	845797	845767	3X400V	15	470X405X130	21	48
U3	845799	845432	3X400V	27	570X505X130	27	52.5
U4	845801	845768	3X400V	36	830X505X130	37.4	76.2
M4	845803	845762	3x400V	36	830X505X130	34.3	68.5
M8	845805	845763	3X400V	36	830X505X130	36.5	73
P2	845808	845765	3X400V	18	830x405x130	24.9	67.1

Filters and filtering sections

The range of GLOBAL SD units can be fitted with two different types of filters of class G4 = epM10 and F7 = epM1. They are mounted on rails with a clamping joint in order to obtain a perfect air tightness. The pressure drop of the filters in the unit is calculated automatically in accordance with the airflow in the GLOBAL SD unit selection program.

G4 flat filters

GLOBAL SD units can be fitted with G4-class flat filters (ISO16890). They are Eurovent certified. The dimensions vary according to the type of unit and according to the number of filters per unit. They are always mounted on rails and easily accessible via an access door. Particular attention is paid to the air tightness. The frame is made of a galvanised-steel, U-shaped profile with a thickness of 50 mm, with two gratings for supporting the filtering medium. The medium is made of polyester fibres and resists temperatures of up to 110°C. Fire class M1. These filters are available on GLOBAL SD basic and BA modules.

F7 bag filter

The F7 filters (ISO16890) are of the «bag» type. They are Eurovent certified. These filters are designed according to best engineering practices and are mounted on rails. with an access door. The bags are sewn in a cone shape. They are provided with separating ribbons, maintaining the necessary space between each bag, and metal stiffeners in order to increase the rigidity. The frame is made of galvanised steel and the medium is synthetic. Maximum operating temp. 70°C. Fire class M1.

These filters are available on GLOBAL SD modules.

F7 ecopleat filters

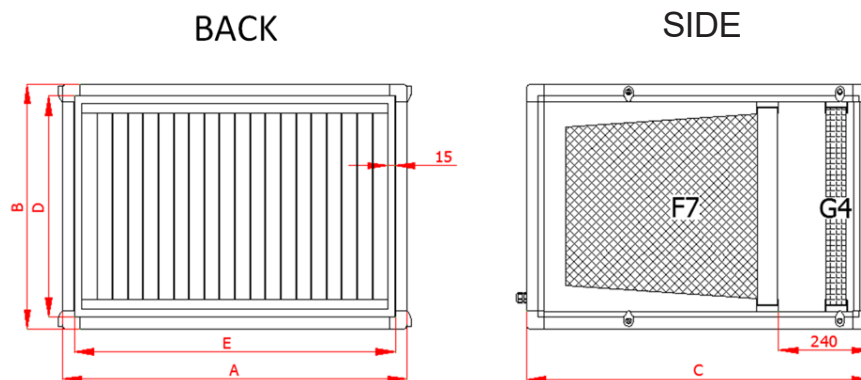
In certain cases (when wanting to save space, etc.), the F7 filters are of the 'minifold' type, made of fibreglass paper. They are Eurovent certified and of class F7 (ISO16890). The fire class is M1. The frame is made of galvanised steel with a thickness of 50 mm. Maximum operating temp. 100°C. These filters are available on GLOBAL SD basic and BA modules.

Activated charcoal filters

GLOBAL SD units can be equipped with active charcoal filters (the selection program proposes the contact time during the selection process). These filters are useful for deodorising or purifying gaseous pollutants. They are made of galvanised-steel cylindrical cartridges containing the active charcoal.

Dimensions of the filtering sections G4 and F7

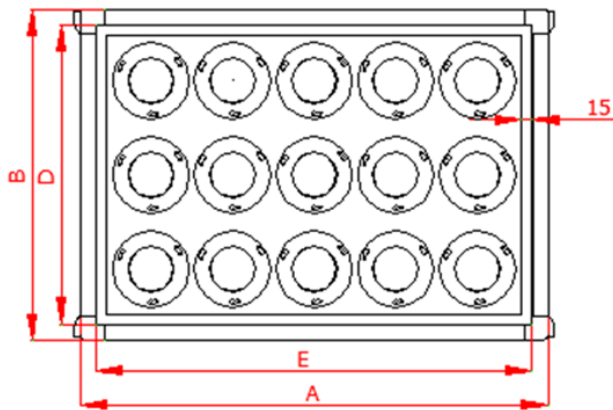
Box	class	Code ID of filter	Code ID of section	Dimensions [mm]	No. filters	Temp.	S [mm]	B [mm]	C [mm]	D [mm]	E [mm]
		-----		-----		--		-	-	-	-
U2	F7	125018	845446	470x405x547	1	90	530	530	890	470	470
U2	+ G4	125010	845565	470X405X50	1	--	--	--	--	--	--
U3	F7	125019	845447	570X507X547	1		630	630	890	570	570
U3	+ G4	125011	845596	570X505X50	1	--	--	--	--	--	--
U4	F7	125016	845450	795X305X547	2		890	890	890	830	830
U4	+ G4	125038	845626	825X382X50	2	--	--	--	--	--	--
M4	F7	125013	845448	390X505X547	2		890	630	890	570	830
M4	+ G4	125006	845099	390X505X50	2	--	--	--	--	--	--
M8	F7	125013	845449	390X505X547	3		1430	630	890	570	1370
M8	+ G4	125006	845019	390X505X50	3	--	--				
		-----	--	-----		--	--	--	--	--	--
P2	F7	125016	845451	795X305X547	1		890	430	890	370	830
P2	+ G4	125009	845089	795X305X50	1	--	--	--	--	--	--



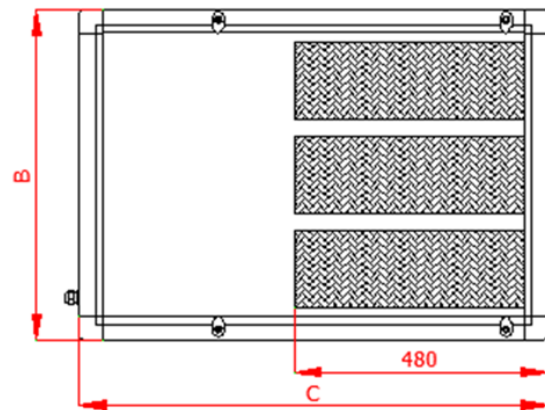
Dimensions of the filtering sections Charcoal filters

Box	type	Code ID of Cartridge	Code ID of section	No. of cylinders	A [mm]	B [mm]	C [mm]	D [mm]	E [mm]	Max. airflow [M3/h]	weight of charcoal [kg]	volume of charcoal [L]	contact time [s]	Weight of unit [kg]
U3	FCA-10	125007	845689	6	630	630	630	540	540	1000	12.6	26.3	0.094	60
U3	FCA-15	125007	845690	9	630	630	630	540	540	1500	18.9	39.4	0.094	73
U4	FCA-30	125007	845691	20	890	890	630	830	830	3250	42.0	87.4	0.094	120
M4	FCA-25	125007	845692	15	890	630	630	540	540	2500	31.5	65.6	0.094	100
M8	FCA-40	125007	845693	24	1430	630	630	540	540	4000	50.4	105.0	0.094	144

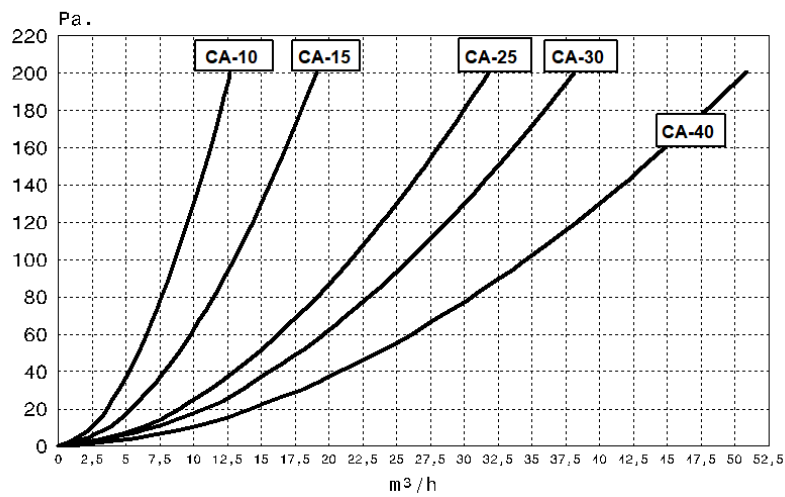
BACK



SIDE



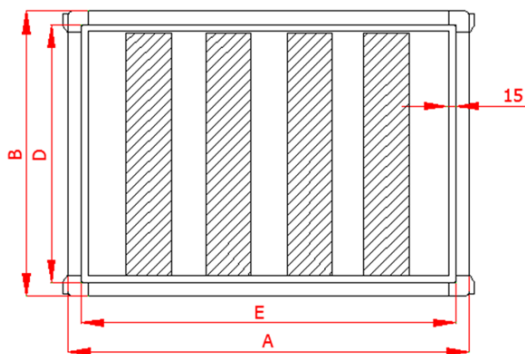
GRAPHICS OF PRESSURE DROPS — active charcoal filter in unit



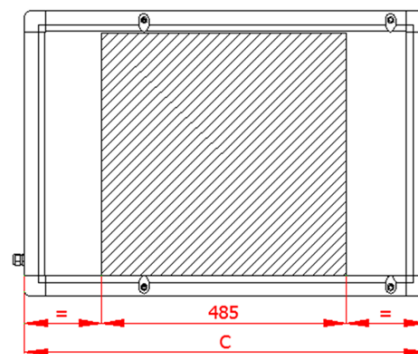
Noise attenuating section (GD)

A section containing sound damping baffles is available on the GLOBAL SD units. The baffles mounted on rails are made up of an acoustic material made of rock wool (60 kg/m³). The attenuation values are a function of the airflow and the sound frequencies. A document showing the various values is available on our website under the 'Download' tab of the GLOBAL SD units.

BACK



SIDE



Dimensions of the noise attenuating sections

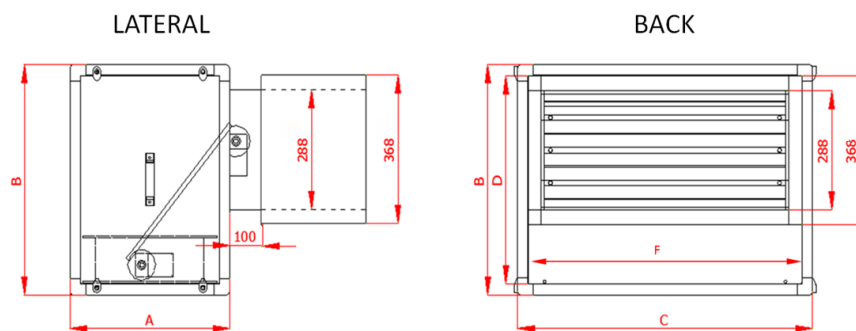
Box	CID	A [mm]	B [mm]	C [mm]	D [mm]	E [mm]	No. baffles
U2	845475	530	530	890	470	470	2
U3	845476	630	630	890	570	570	3
U4	845477	890	890	890	860	830	5
M4	845473	890	630	890	570	830	5
M8	845474	1430	630	890	570	1370	8
P2	845472	890	430	890	370	830	8

Two- or three-way mixing units

The GLOBAL SD series can also be fitted with two- or three-ways mixing sections. The units are plenums fitted with counter-rotating valves and servomotors.

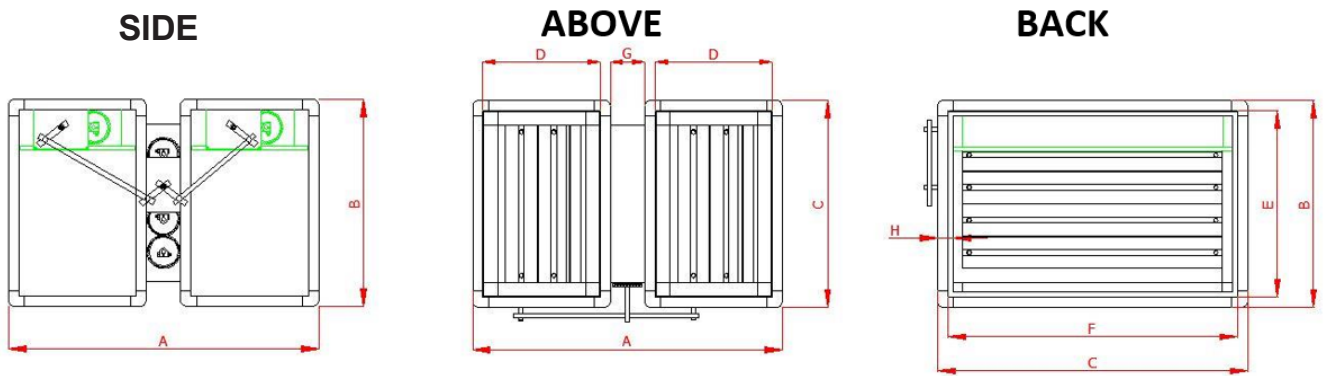
The dampers (CT) have a galvanised-steel frame, the blades are made of extruded aluminium with a thermoplastic rubber seal for improving the tightness. An aluminium sealing sheet is also placed between the blades and the frame, for level-2 sealing class. The crenelated gears are VDI6022 certified (hygiene).

Dimensions of the two ways mixing units (MK2)



Box	CID	A [mm]	B [mm]	C [mm]	D [mm]	F [mm]
---	---					
U2	845471	430	530	530	468	468
U3	845479	430	630	630	568	568
U4	845480	630	890	890	828	828
M4	845468	430	630	890	568	828
M8	845469	430	630	1430	568	1368
P2	845470	430	430	890	368	828

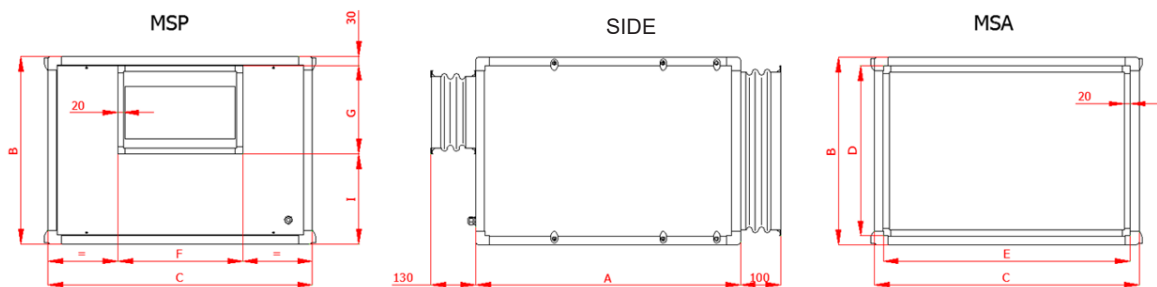
Dimensions of the three-ways mixing units (MK3)



Box	CID	A[mm]	B[mm]	C[mm]	D[mm]	E[mm]	F[mm]	G[mm]	H[mm]
U2	845612	930	530	530	370	368	468	130	40
U3	845614	930	630	630	370	368	568	130	40
U4	845637	1330	890	890	570	368	828	130	40
M4	845616	930	630	890	370	368	828	130	40
M8	845618	930	630	1430	370	368	1338	130	40
P2	845610	930	430	890	370	368	828	130	40

Flexible sleeves

The couplings can be provided with flexible sleeves (MS), which are structurally sealed. They are made of weaving polyurethane-coated glass, with sewn TPE seals. The sleeves comply with the sealing requirements of RT 2012 and are class B and D (EN15727). Operating temperature of -20°C to +110°C. There is a flexible supply sleeve (MSP) and an extract sleeve (MSa).



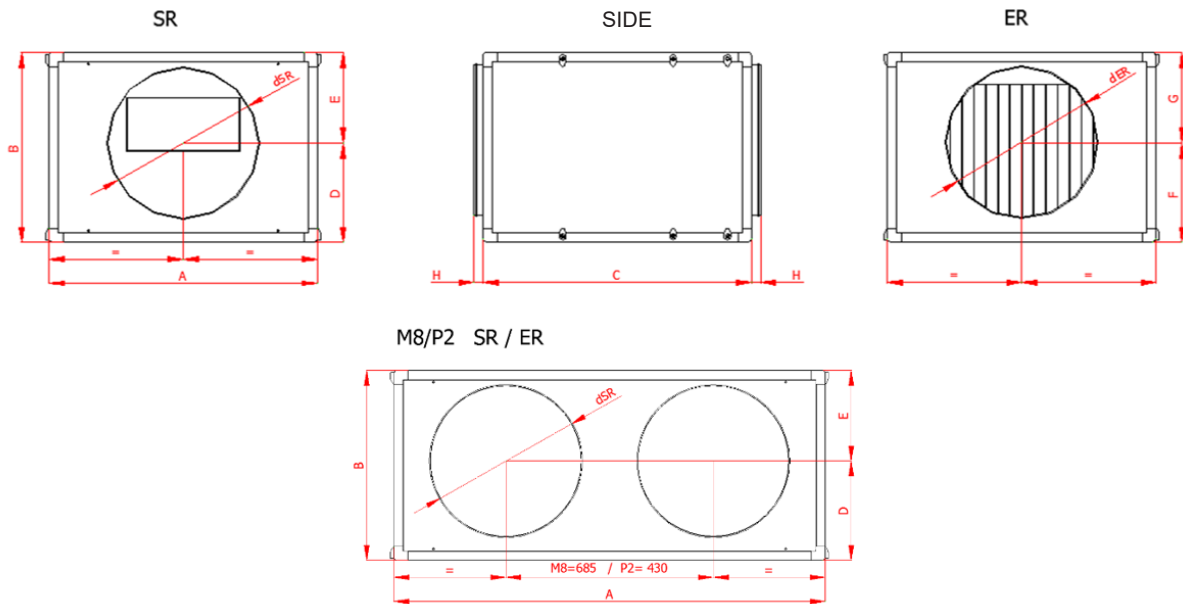
Box	MS	CID	D [mm]	E [mm]	F [mm]	G [mm]
U2	MSa	845755	468	468	--	--
	MSp	845754	--	--	418	418
U3	MSa	845758	568	568	--	--
	MSp	845745	--	--	468	468
U4	MSa	845761	828	828	--	--
	MSp	845759	--	--	568	568
M4	MSa	845746	568	828	--	--
	MSp	845745	--	--	468	468
M8	MSa	845748	568	1368	--	--
	MSp	845749	--	--	1228	568
P2	MSa	845744	368	828	--	--
	MSp	845744	--	--	828	368

Fixation

GLOBAL SD units are supplied with M8 nuts (DP) as standard in the aluminium profile. These are «Tubtara alu M8 UPO 30» nuts, mechanically crimped in the aluminium. The tensile strength tests performed in the laboratory have shown that a tensile force of 60 kg/nut can be applied without any risk.

Round intakes and outlets

Circular adapter parts (tappings) can be mounted on the units. In order to tell them apart, we will refer to them as round outlets (RO) and round intakes (RI). In the case of the RIs, the intake closing panel is included. The available diameters are predetermined in accordance with the type of GLOBAL SD and the requested airflow. The ROs and RIs are provided with a double rubber seal, crimped in the metal in order to guarantee an excellent tightness.



Box	MS	CID	RO		RI		H [mm]	Diam. [mm]
			D [mm]	E [mm]	F [mm]	G [mm]		
					--	--		
U2	RI	845578	--	--	305	225	42	355
	RO	845009	305	225	--	--	42	355
U3	RI	845607	--	--	379	251	42	400
	RO	845608	382.5	247.5	--	--	42	400
U4	RI	845639	--	--	593	297	42	500
	RO	845640	593	297	--	--	42	500
M4	RI	845581	--	--	333	297	42	500
	RO	845581	333	297	--	--	42	500
M8	RI	845582	--	--	331	299	42	2x500
	RO	845577	331	299	--	--	42	2x500
P2	RI	845579	--	--	215	215	42	355
	RO	845575	225	205	--	--	42	2x315

Outdoor version

All the GLOBAL SD units can be installed outdoor. A certain number of options should then be considered according to the intended application:

- The steel used to manufacture the outside of these units is pre-painted with siliconised thermally crosslinked polyester (5 microns of anti-corrosion primer + 20 microns of polyester finish). It is perfectly suitable for outdoor installation. Any doors that are not used are secured and sealed with a silicone seal. The frame made of anodised aluminium profiles. These features make the units perfectly suitable for long life in the outdoors.
- A roof (VEX) made of pre-painted steel is placed on the unit in accordance with the composition of the unit, allowing water to flow away from the units. The holes and the seals necessary for securing the roof are protected. A rail system makes it possible to assemble the various sections in an airtight, straightforward fashion.
- It is advisable to install the unit on a plinth raised + 10 cm above the ground. This plinth (BA) is available as an option. It is made from U-shaped, galvanised-steel profiles.
- When the unit is installed outdoor, or with an outdoor air intake, a canopy (AU) can be adapted to the fresh air intake. This device is especially designed for preventing rain from entering the unit, even when wind is blowing from the side. A pre-painted steel bird guard is provided.
- The outside impulse section can be provided with a positive-pressure shutter (VK) made of PVC (lattice type), made up of slats that close mechanically whenever the unit is not moving any air, thus preventing the creation of air currents when the machine is halted, and protecting the unit against the intrusion of small animals and rain.

Combinations examples

